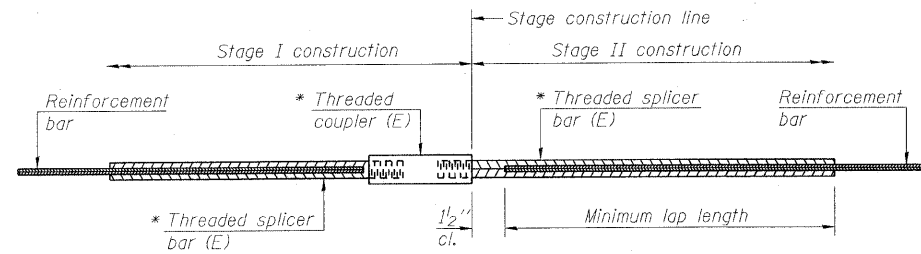


MCHENRY COUNTY
DIVISION OF TRANSPORTATION



STANDARD BAR SPLICER ASSEMBLY

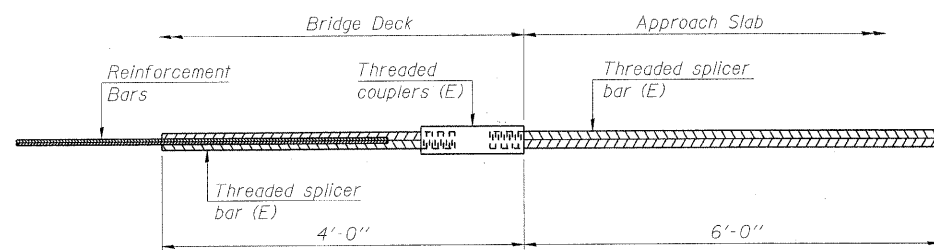
Bar size to be spliced	Minimum Lap Lengths			
	Table 1	Table 2	Table 3	Table 4
3, 4	1'-5"	1'-11"	2'-1"	2'-4"
5	1'-9"	2'-5"	2'-7"	2'-11"
6	2'-1"	2'-11"	3'-1"	3'-6"
7	2'-9"	3'-10"	4'-2"	4'-8"
8	3'-8"	5'-1"	5'-5"	6'-2"
9	4'-1"	6'-5"	6'-10"	7'-9"

Table 1: Black bar, 0.8 Class C
 Table 2: Black bar, Top bar lap, 0.8 Class C
 Table 3: Epoxy bar, 0.8 Class C
 Table 4: Epoxy bar, Top bar lap, 0.8 Class C

Threaded splicer bar length = min. lap length + 1/2" + thread length

* Epoxy not required on Bar Splicer Assembly components used in conjunction with black bars.

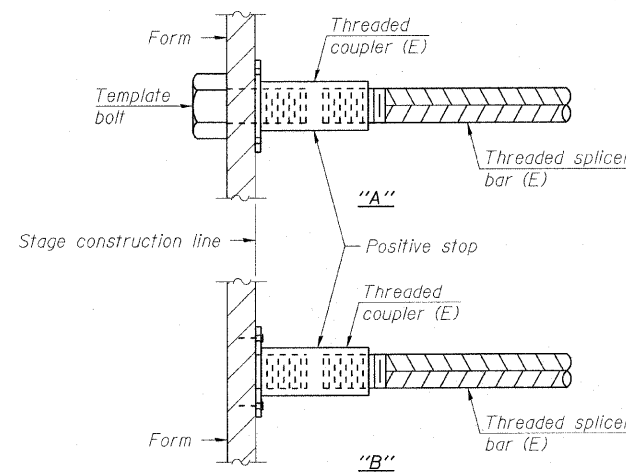
Location	Bar size	No. assemblies required	Table for minimum lap length
Bridge Deck	#5	277	3
Diaphragms	#6	10	4
Abutments	#7	16	4
Approach Slabs	#4	50	3
Approach Footings	#5	80	3
Approach Slabs	#5	92	3



BAR SPLICER ASSEMBLY FOR #5 BAR ON INTEGRAL OR SEMI-INTEGRAL ABUTMENTS

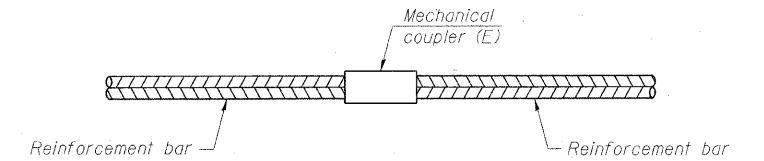
No. required = 88

DESIGNED	BLB
CHECKED	AS
DRAWN	BCD
CHECKED	BLB



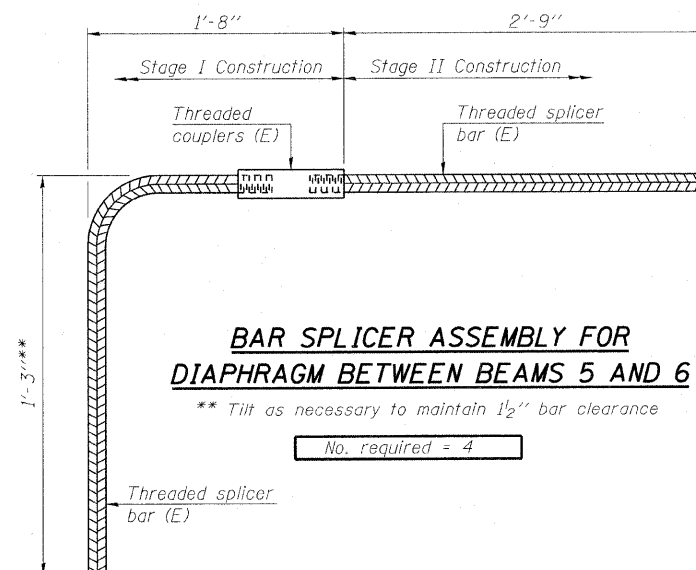
INSTALLATION AND SETTING METHODS

"A" : Set bar splicer assembly by means of a template bolt.
 "B" : Set bar splicer assembly by nailing to wood forms or cementing to steel forms.
 (E) : Indicates epoxy coating.



STANDARD MECHANICAL SPLICER

Location	Bar size	No. assemblies required



BAR SPLICER ASSEMBLY FOR DIAPHRAGM BETWEEN BEAMS 5 AND 6

*** Tilt as necessary to maintain 1/2" bar clearance

No. required = 4

NOTES

Splicer bars shall be deformed with threaded ends and have a minimum 60 ksi yield strength.
 All reinforcement shall be lapped and tied to the splicer bars.
 Bar splicer assemblies shall be epoxy coated according to the requirements for reinforcement bars. See Section 508 of the Standard Specifications.
 See approved list of bar splicer assemblies and mechanical splicers for alternatives.

**BAR SPLICER ASSEMBLY AND MECHANICAL SPLICER DETAILS
STRUCTURE NO. 056-3181**

SHEET NO. 23 25 SHEETS	F.A.S. RTE. 0028	SECTION 06-00320-01-BR	COUNTY MCHENRY	TOTAL SHEETS 70	SHEET NO. 47
	CONTRACT NO. 63535				
JOB NO. C-91-139-11		ILLINOIS	FED. AID PROJECT BRS-0028(107)		

COPYRIGHT © 2002 BY BAXTER & WOODMAN, INC.
 ALL RIGHTS RESERVED. NO PART OF THIS PUBLICATION
 MAY BE REPRODUCED OR TRANSMITTED IN ANY FORM
 OR BY ANY MEANS, ELECTRONIC OR MECHANICAL,
 INCLUDING PHOTOCOPYING, RECORDING, OR BY
 ANY INFORMATION STORAGE AND RETRIEVAL SYSTEM,
 WITHOUT PERMISSION IN WRITING FROM BAXTER &
 WOODMAN, INC., 1885 OGDEN EXPRESS, 4230/2711
 WILSON AVENUE, ST. LOUIS, MO 63110-1101
 314-241-1200 FAX 314-241-1201