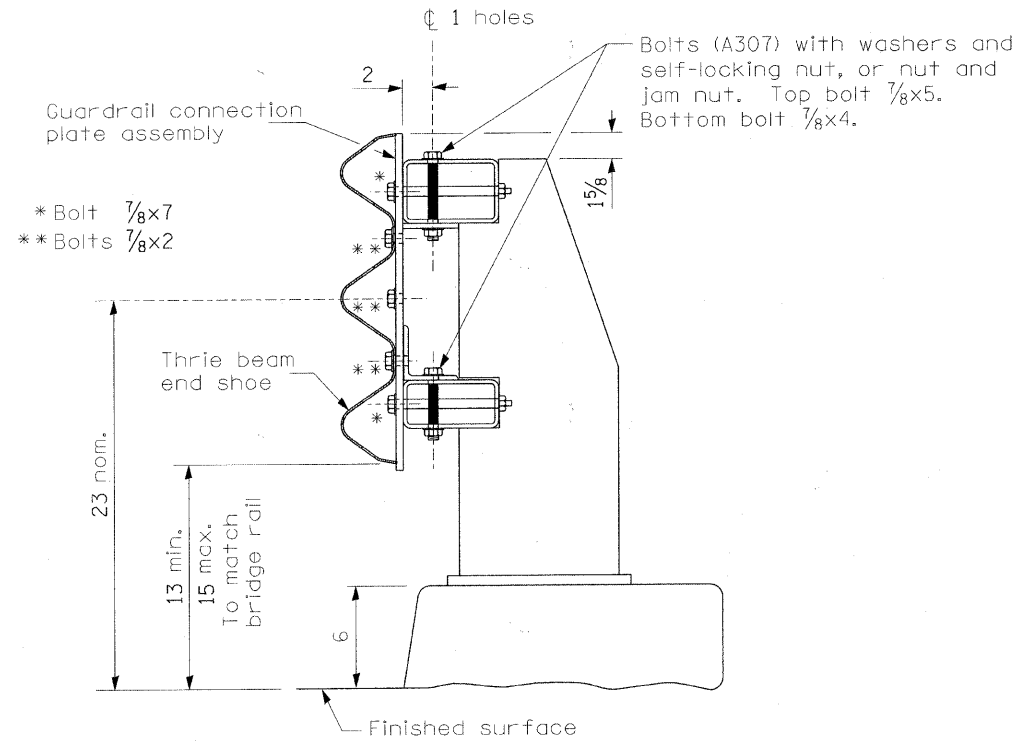
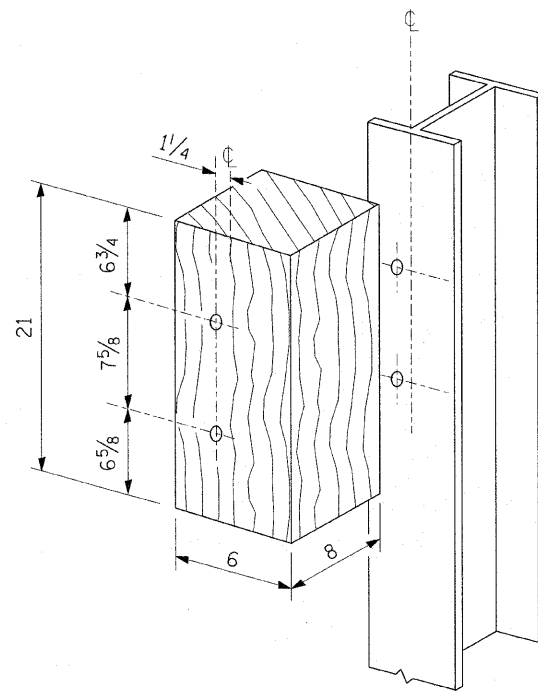


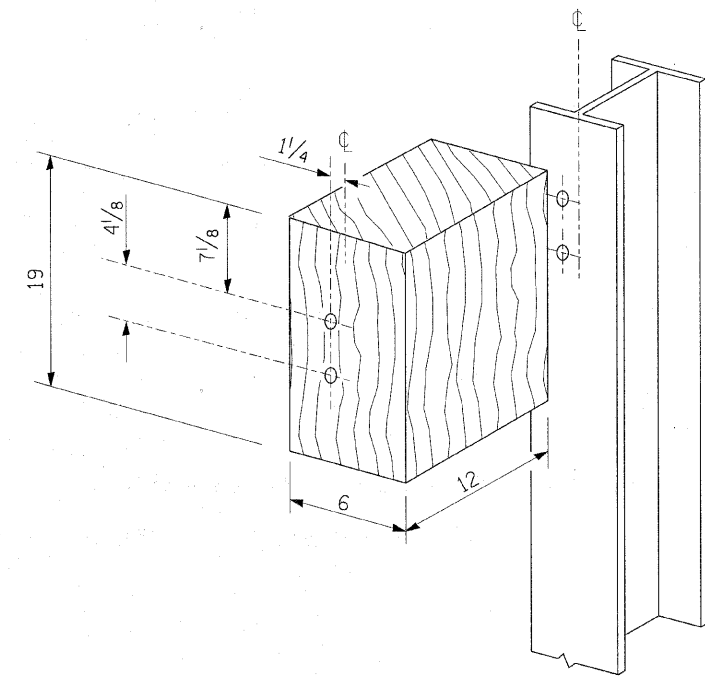
MCHENRY COUNTY  
DIVISION OF TRANSPORTATION



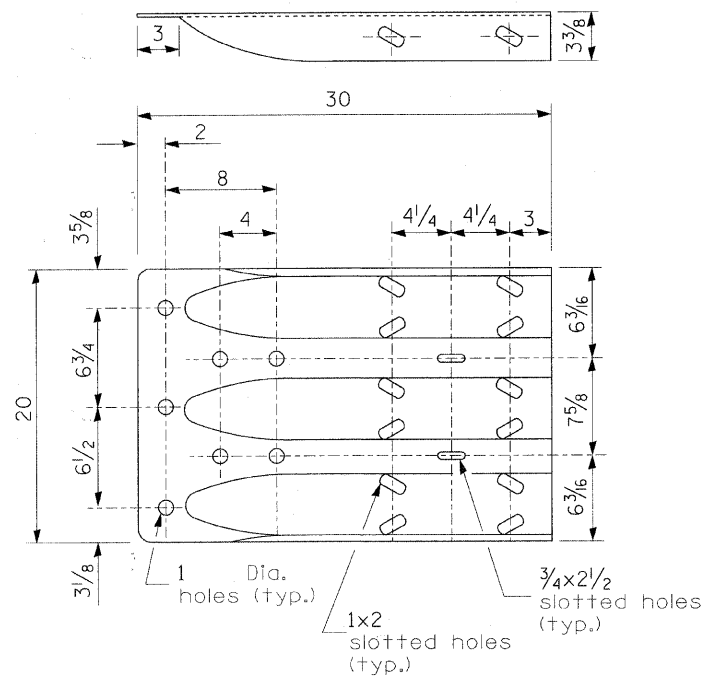
SECTION C-C



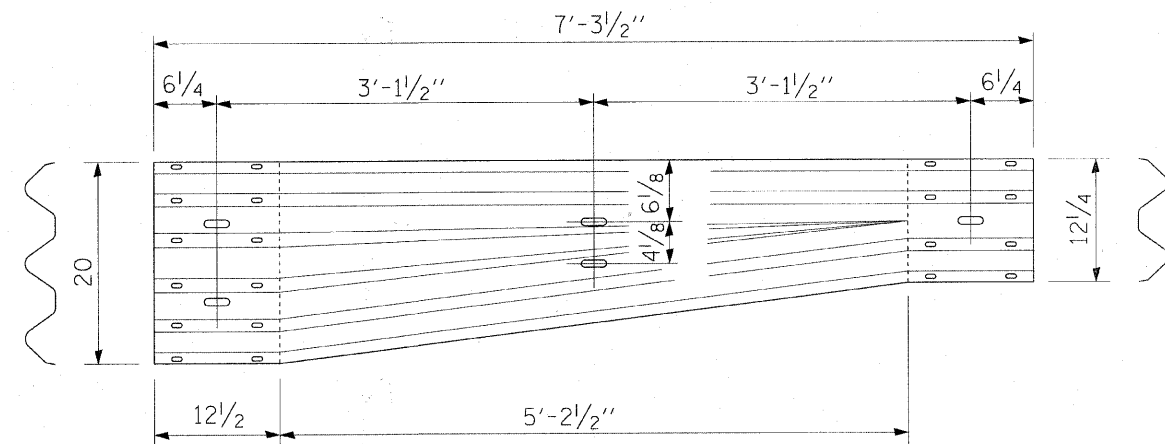
POSTS 1-11 WOOD BLOCKOUT DETAIL



POST 12 WOOD BLOCKOUT DETAIL  
(See Standard 630001 for post 13-17 blockouts.)



MODIFIED THRIE BEAM END SHOE DETAIL



TRANSITION SECTION  
(10 gauge rail element)

**TRAFFIC BARRIER TERMINAL  
TYPE 6A (SPECIAL)  
STRUCTURE NO. 056-3181**

SHEET NO. 2 3 SHEETS	F.A.S. RTE.	SECTION	COUNTY	TOTAL SHEETS	SHEET NO.
	0028	06-00320-01-BR	MCHENRY	70	51
CONTRACT NO. 63535					
JOB NO. C-91-139-11 ILLINOIS FED. AID PROJECT BRS-0028(107)					

DESIGNED	BLB
CHECKED	AS
DRAWN	BCD
CHECKED	BLB

COPYRIGHT © 2003 BY BAYLER & WOODMAN, INC.  
 STATE OF ILLINOIS PROFESSIONAL DESIGN FIRM  
 LICENSE NO. 18-001701  
 111 W. WASHINGTON ST., SUITE 200, CHICAGO, IL 60601-1111  
 TEL: 312.467.1701 FAX: 312.467.1702  
 WWW.BAYLERANDWOODMAN.COM