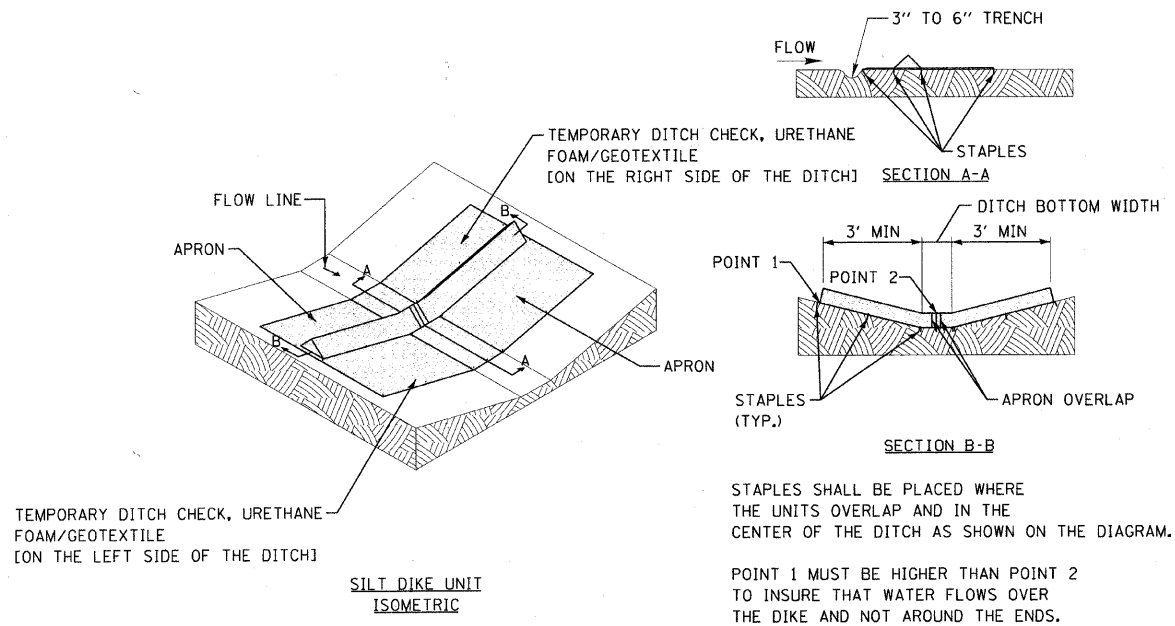


•INSTALL PER IDOT STANDARD 280001-05

DRAINAGE PROTECTION
NOT TO SCALE

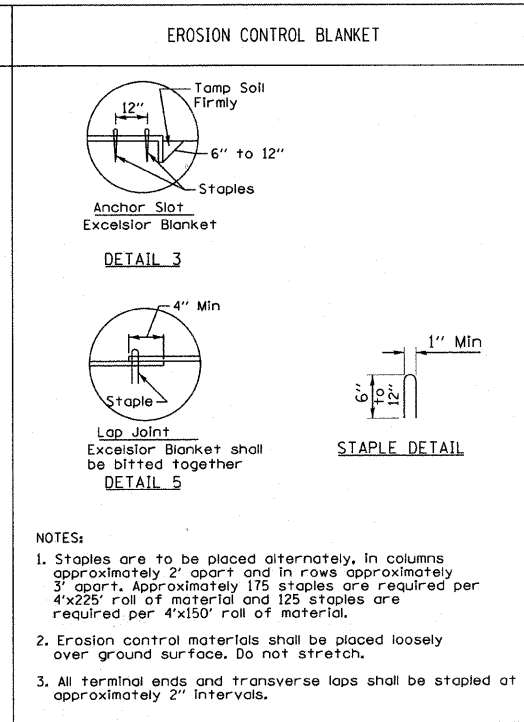
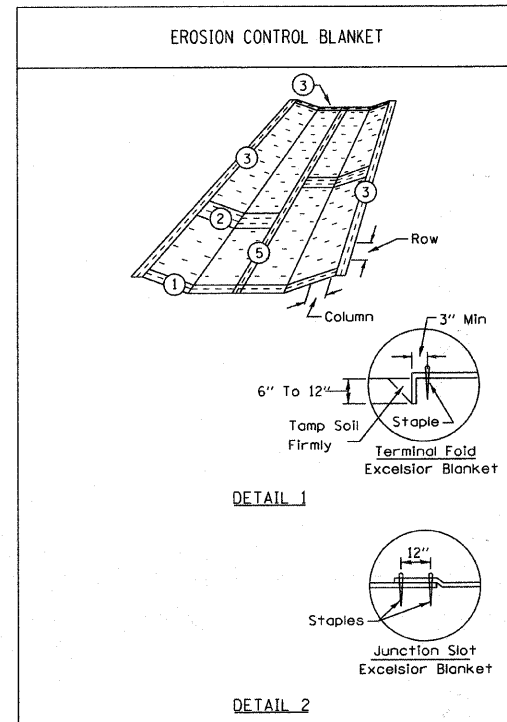


TEMPORARY DITCH CHECK, URETHANE FOAM/GEOTEXTILE (ON THE LEFT SIDE OF THE DITCH)

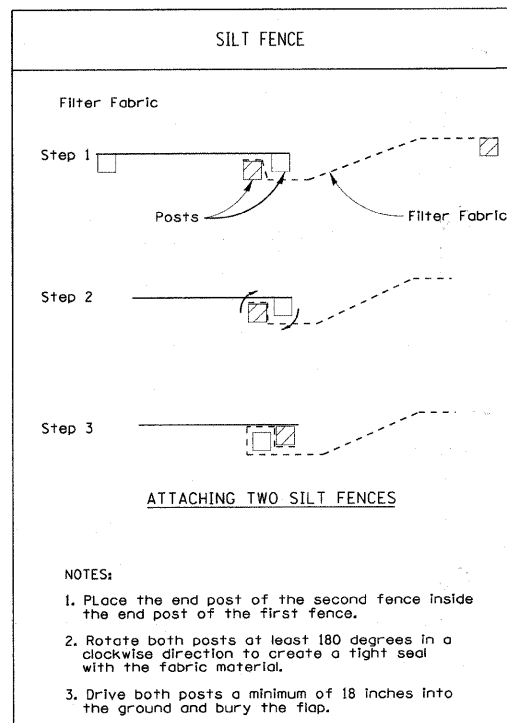
SILT DIKE UNIT ISOMETRIC

NOTES:
1. THE INSTALLATION SHOWN ABOVE WILL BE MEASURED FOR PAYMENT IN FEET PERPENDICULAR TO THE FLOW LINE.

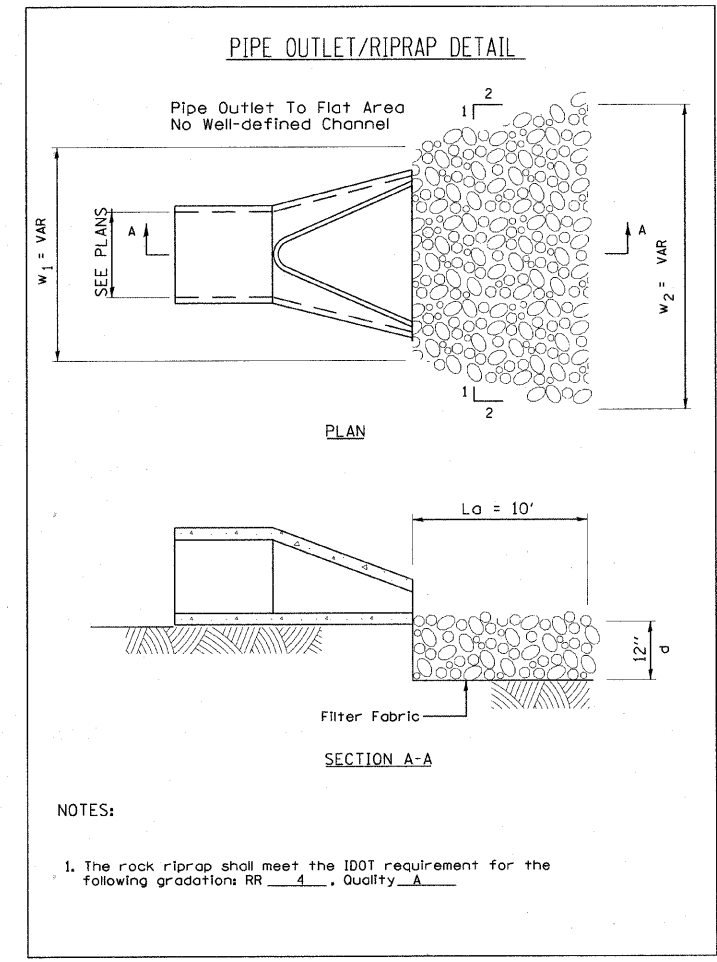
TEMPORARY DITCH CHECK
NO SCALE



NOTES:
1. Staples are to be placed alternately, in columns approximately 2' apart and in rows approximately 3' apart. Approximately 175 staples are required per 4'x225' roll of material and 125 staples are required per 4'x150' roll of material.
2. Erosion control materials shall be placed loosely over ground surface. Do not stretch.
3. All terminal ends and transverse laps shall be stapled at approximately 2' intervals.



NOTES:
1. Place the end post of the second fence inside the end post of the first fence.
2. Rotate both posts at least 180 degrees in a clockwise direction to create a tight seal with the fabric material.
3. Drive both posts a minimum of 18 inches into the ground and bury the flap.



NOTES:
1. The rock riprap shall meet the IDOT requirement for the following gradation: RR 4, Quality A

COPYRIGHT © 2010 BY BAXTER & WOODMAN, INC. ALL RIGHTS RESERVED. PROJECT NO. 06-00320-01-BR. DATE: 08/20/10. FILE: 070630L-Details.SHT.



DESIGNED - CAC	REVISED - PER IDOT 10-25-10
DRAWN - BCD	REVISED -
CHECKED - MDW	REVISED -
DATE - 08/20/10	FILE - 070630L-Details.SHT

MCHENRY COUNTY DIVISION OF TRANSPORTATION
LAWRENCE ROAD BRIDGE OVER
LAWRENCE CREEK

MISCELLANEOUS DETAILS

SCALE: NONE STA. TO STA.

F.A.S. RTE.	SECTION	COUNTY	TOTAL SHEETS	SHEET NO.
0028	06-00320-01-BR	MCHENRY	70	53
CONTRACT NO. 63535				
JOB NO. C-91-139-11		ILLINOIS FED. AID PROJECT		BRS-0028(107)