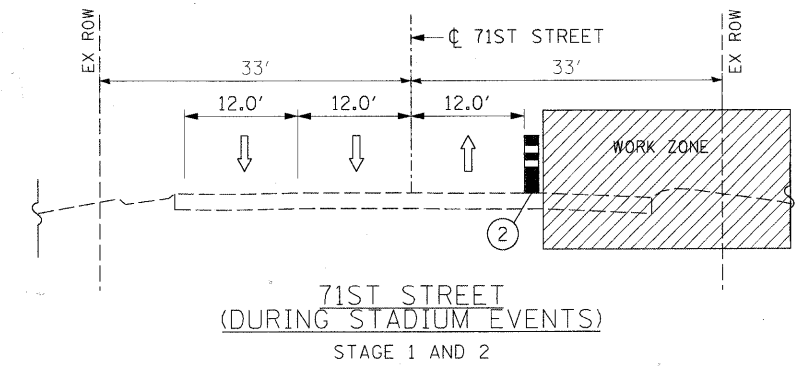
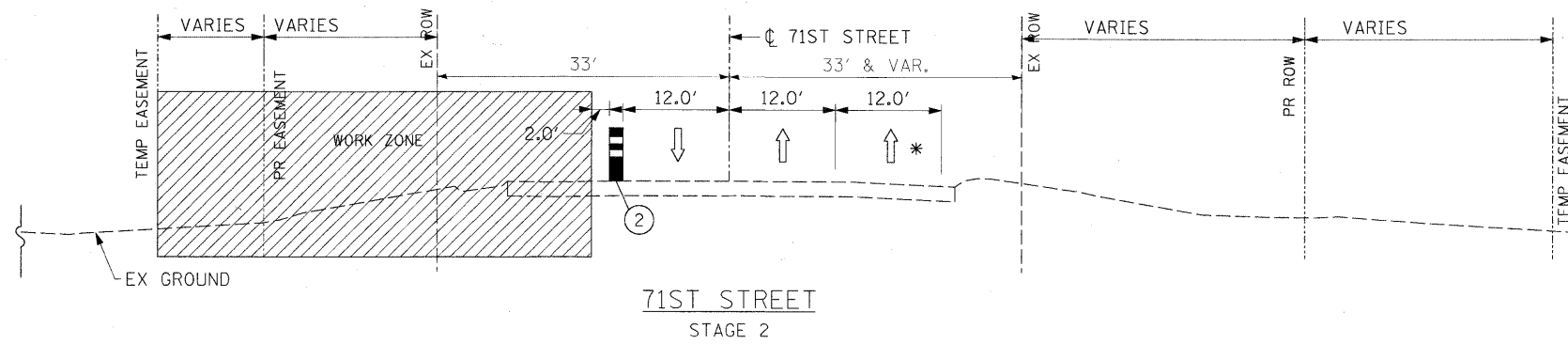


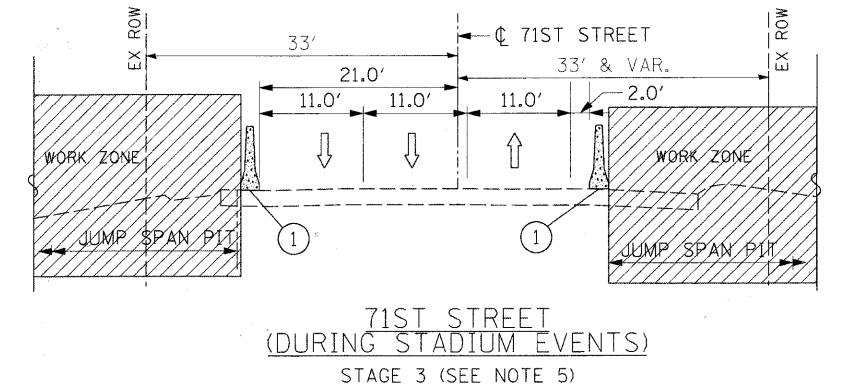
71ST STREET
STAGE 1



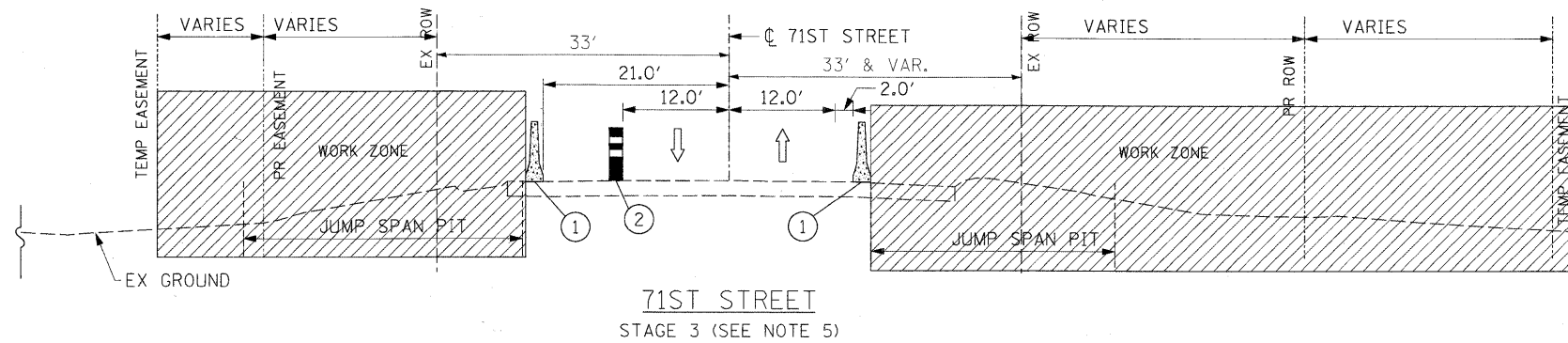
71ST STREET
(DURING STADIUM EVENTS)
STAGE 1 AND 2



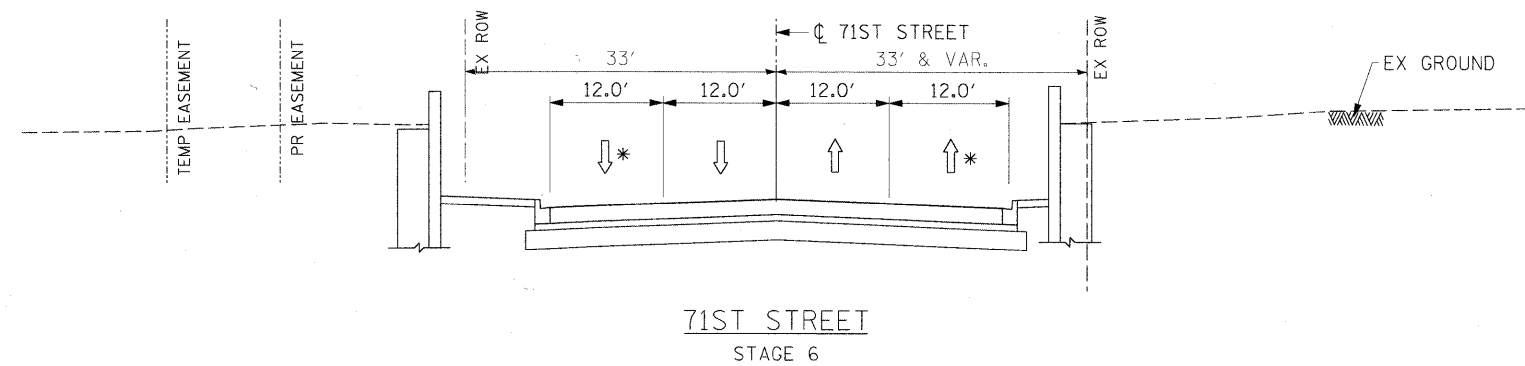
71ST STREET
STAGE 2



71ST STREET
(DURING STADIUM EVENTS)
STAGE 3 (SEE NOTE 5)



71ST STREET
STAGE 3 (SEE NOTE 5)



71ST STREET
STAGE 6

LEGEND:

- ① TEMPORARY CONCRETE BARRIER
- ② DRUM WITH FLASHING LIGHT (10' C-C)

* - LANE CLOSURE PERMITTED EXCEPT DURING STADIUM EVENTS SUBJECT TO THE APPROVAL OF THE ENGINEER

NOTES:

1. SEE SHEET NO. 26 FOR TRAFFIC CONTROL GENERAL NOTES.
2. SECTIONS ARE LOOKING EAST.
3. DURING STADIUM EVENTS, TRAFFIC WILL BE CONTROLLED BY THE VILLAGE OF BRIDGEVIEW POLICE DEPARTMENT.
4. REFER TO STRUCTURAL STAGING DRAWINGS FOR JUMP SPAN LIMITS.
5. TRAFFIC CONTROL TO BE PLACED AT THE DISCRETION OF THE ENGINEER BASED UPON THE APPROVED SCHEDULE OF CONSTRUCTION.

FILE NAME = P:\A60155877\000_CAD\021_Drawings\Sheet\01\62155877-111-staging-16.dgn



USER NAME = merrj	DESIGNED - JWM	REVISED -
PLOT SCALE = 1/8" = 1'-0"	DRAWN - JWM	REVISED -
PLOT DATE = 2/17/2011	CHECKED - TJW	REVISED -
DATE - FEBRUARY 17, 2011	REVISIONS -	REVISED -

STATE OF ILLINOIS
DEPARTMENT OF TRANSPORTATION

CONSTRUCTION STAGING TYPICAL SECTIONS

SCALE: 1"=10' SHEET NO. 1 OF 1 SHEETS STA. 15+50.00 TO STA. 30+75.00

F.A.U. RTE.	SECTION	COUNTY	TOTAL SHEETS	SHEET NO.
1537	06-00050-00-GS	COOK	209	30
FED. ROAD DIST. NO. 1 ILLINOIS FED. AID PROJECT CRE-90037091			CONTRACT NO. 63556	