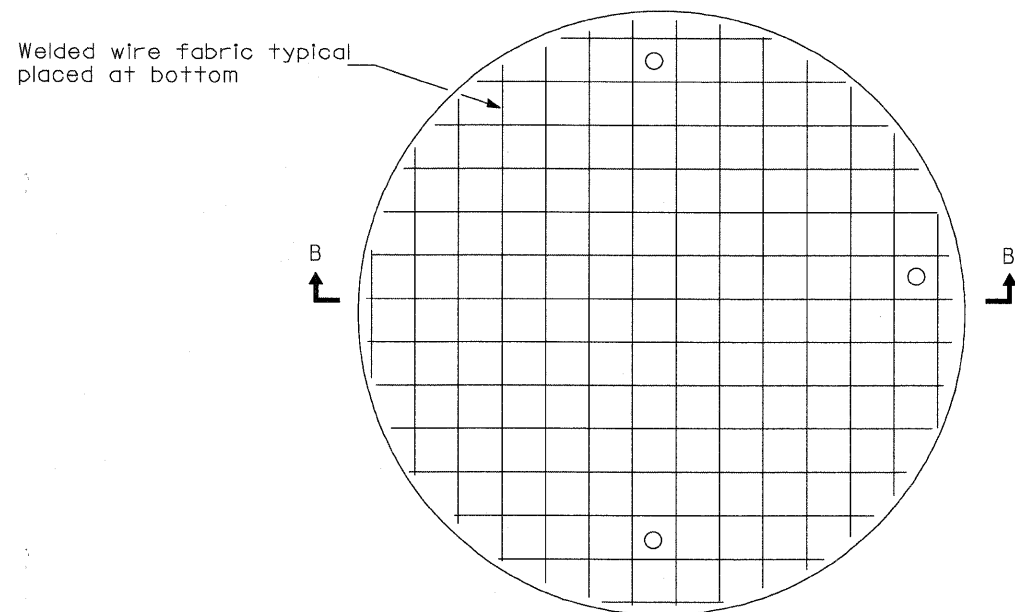


PLAN

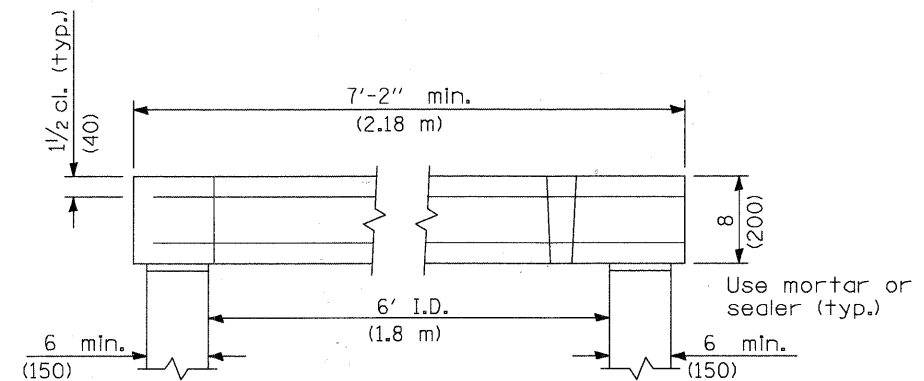
Showing Rebar Reinforcement

Thickness	Reinforcement "As" WWF Each direction	Bar Size
8 (200)	1.06 sq. in./ft. (2244 sq. mm/m)	No. 6 (No. 19)



PLAN

Showing Welded Wire Fabric Reinforcement



SECTION B-B

6' DIA. FLAT SLAB TOP

FILE NAME = 09353-DTL5-01 - IDOT P04

USER NAME =	DESIGNED -- PKB	REVISED --
	CHECKED -- PKB	REVISED --
PLOT SCALE =	DRAWN -- PS	REVISED --
PLOT DATE = 12/23/10	CHECKED -- AG	REVISED --

STATE OF ILLINOIS
DEPARTMENT OF TRANSPORTATION

71ST STREET

CONSTRUCTION DETAILS

SCALE: SHEET NO. 71 OF 209 SHEETS STA. TO STA.

F.A.U. RTE.	SECTION	COUNTY	TOTAL SHEETS	SHEET NO.
1537	06-00050-00-GS	COOK	209	71
CONTRACT NO. 63556				
FED. ROAD DIST. NO. 1 ILLINOIS FED. AID PROJECT CRE-9003(709)				