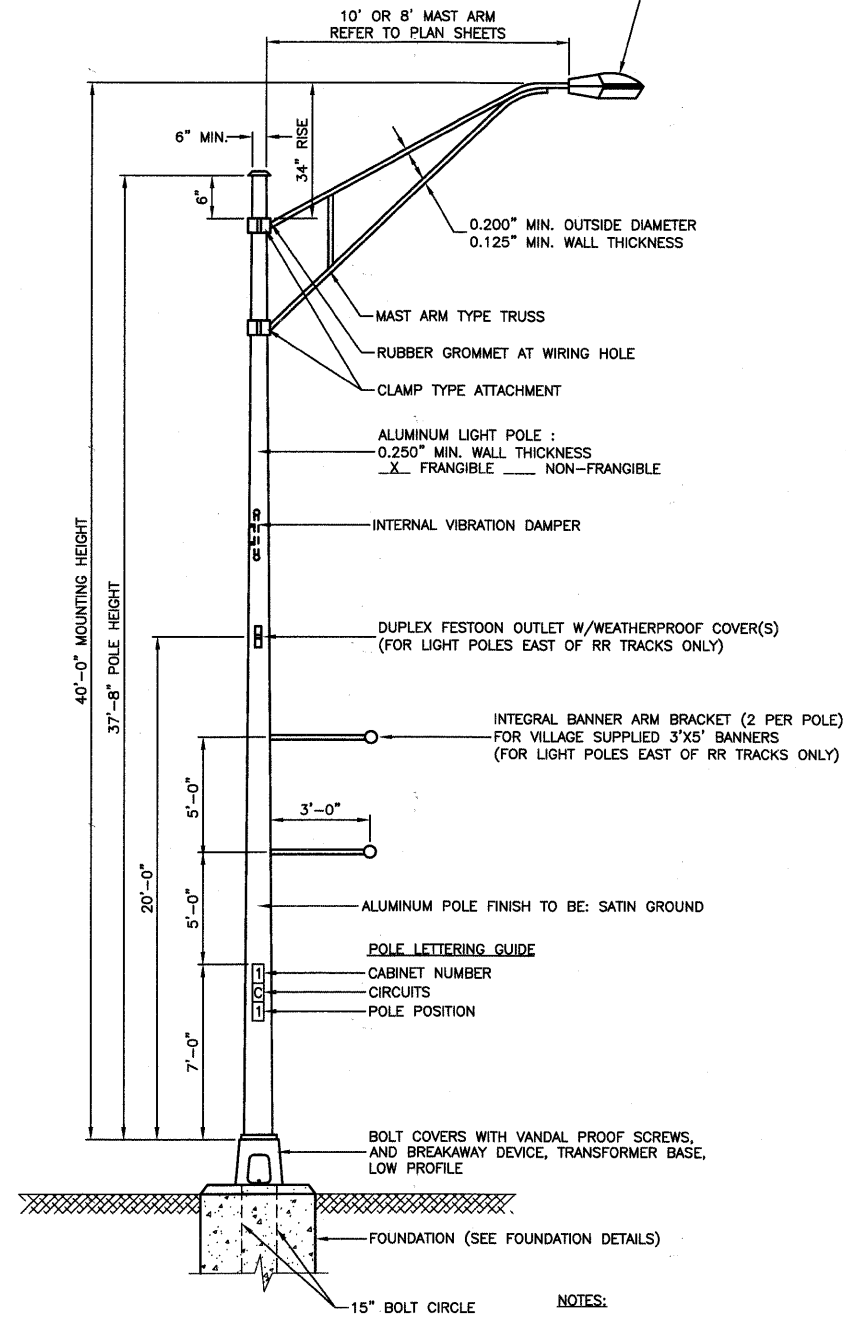


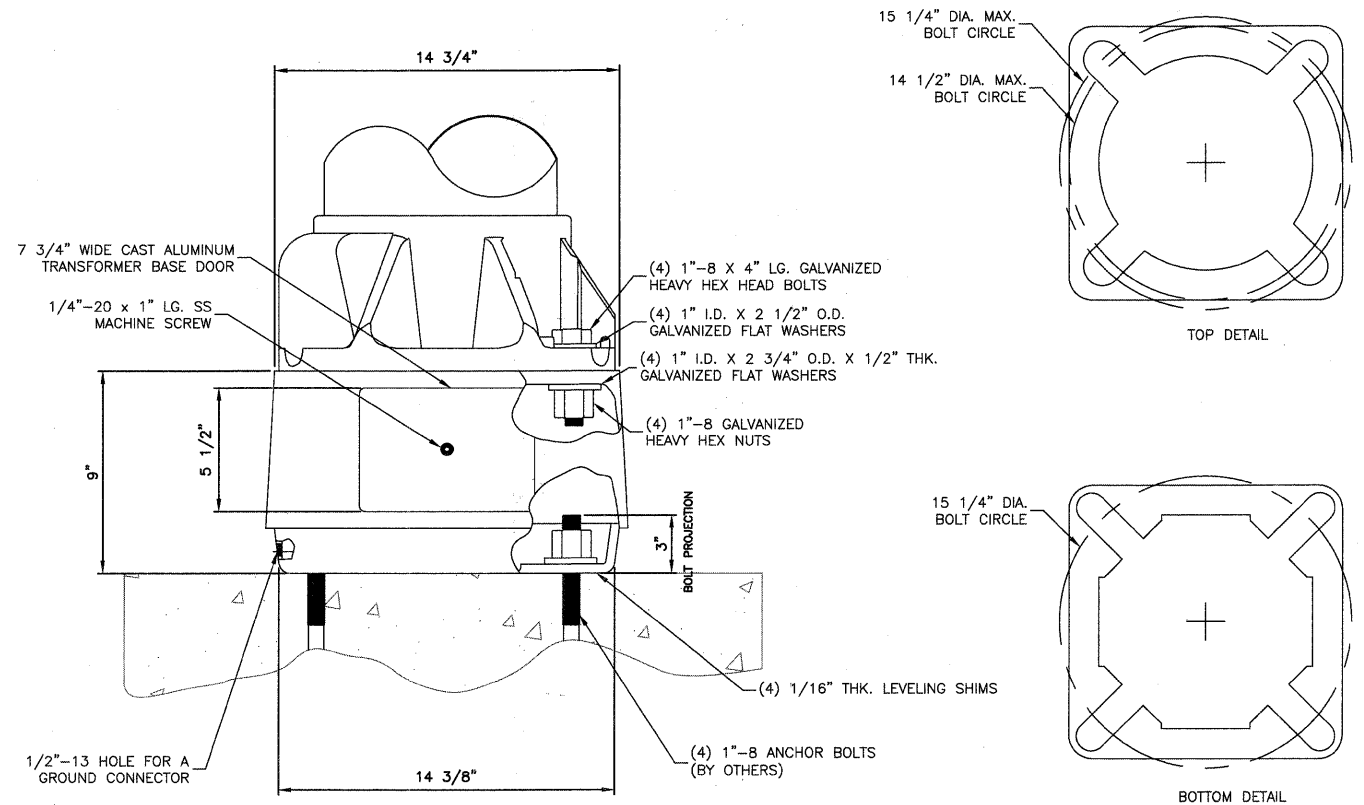
LUMINAIRE:
250 WATT HIGH PRESSURE SODIUM LAMP
240 VOLT BALLAST
I.E.S. TYPE: MC III LIGHT DISTRIBUTION
LENS TYPE: FLAT
INITIAL LAMP LUMENS: 28,000
LAMP LIFE: 24,000 HOURS



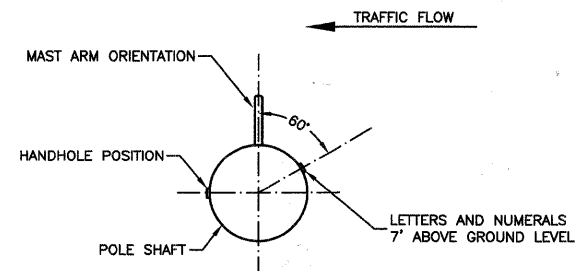
TYPICAL POLE INSTALLATION (40' MH)

- NOTES:**
1. THE LIGHTING UNITS SHALL MEET AASHTO DESIGN CRITERIA. DESIGN FOR 90 M.P.H. WIND WITH 30% GUST AND 75 POUND LUMINAIRE HAVING AN E.P.A. OF 1.6 SQ. FT. AND PROPER ICE LOADING.
 2. ALUMINUM ALLOY 6063-T6 SHALL BE USED.

IMPORTANT NOTE:
TRANSFORMER BASE AND LIGHTPOLE TO BE LEVELED AS ONE UNIT. USING LEVELING SHIMS IF REQUIRED.



TRANSFORMER BASE DETAIL



POSITION OF HANDHOLE AND NUMERALS ON POLE

DATE	
BY	
PLAN	
NOTE BOOK NO.	
SURVEYED	
PLOTTED	
CHECKED	
BY	
DATE	
FILE NAME	

DATE	
BY	
PROFILE	
NOTE BOOK NO.	
SURVEYED	
PLOTTED	
CHECKED	
BY	
DATE	
FILE NAME	

FILE NAME = 09353-LIGHT-03 - P01

USER NAME =	DESIGNED — PAP	REVISED —
	CHECKED — PKB	REVISED —
PLOT SCALE = N/A	DRAWN — MJD	REVISED —
PLOT DATE = 12/23/10	CHECKED — AG	REVISED —

STATE OF ILLINOIS
DEPARTMENT OF TRANSPORTATION

71ST STREET

EXISTING STREET LIGHTING - LIGHTING DETAILS

SCALE: N/A SHEET NO. 83 OF 209 SHEETS STA. N/A TO STA. N/A

F.A.U. RTE.	SECTION	COUNTY	TOTAL SHEETS	SHEET NO.
1537	06-00050-00-GS	COOK	209	83
CONTRACT NO. 63556				
FED. ROAD DIST. NO. 1 ILLINOIS FED. AID PROJECT CRE-9003(709)				