

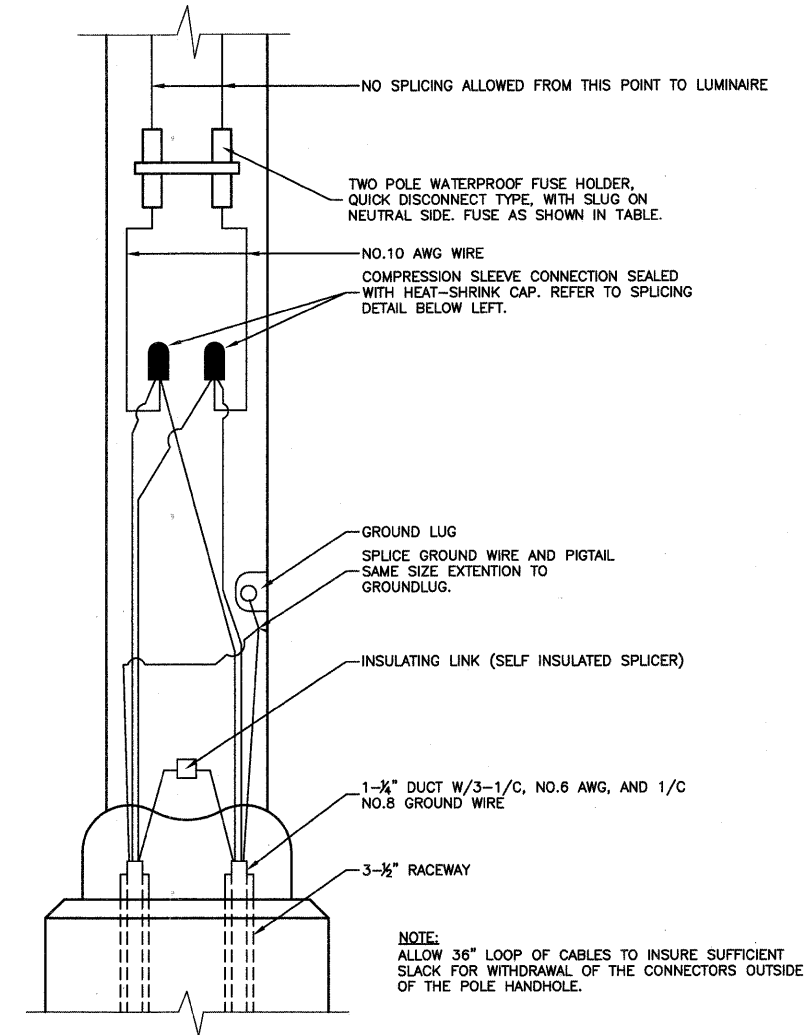
CONTROLLER WIRING DIAGRAM
(CONTROLLER #2)

CONTROLLER WIRING DIAGRAM LEGEND

- ① 3-1/2" NO. 2, 600V SERVICE WIRE IN 2" DIA. GALVANIZED STEEL CONDUIT FOR 240/480 VOLT, 1Ø, 3 WIRE, 60HZ. SERVICE.
- ② (1) 60 AMP MAIN CIRCUIT BREAKER, 2 POLE, 600 VOLT, 100 AMP BASE, NON-INTERCHANGEABLE TRIP INTERRUPTING RATING NEMA - 14000 AMP AT 480 V.
- ③ (1) 60 AMP REMOTE CONTROL CONTACTOR SWITCH, ELECTRICALLY OPERATED, MECHANICALLY HELD, 2 POLE, SINGLE THROW, MINIMUM 60 AMP, 600 VOLT
- ④ (4) 30 AMP CIRCUIT BREAKER, 1 POLE, 240 VOLT, 100 AMP BASE, NON-INTERCHANGEABLE TRIP RATING NEMA - 14000 AMP AT 240 VOLTS.
- ⑤ (3) 20 AMP CONTROL CIRCUIT-CIRCUIT BREAKER, 1 POLE, 240 VOLT, 100 AMP BASE, NON-INTERCHANGEABLE TRIP INTERRUPTING RATING NEMA 14000 AMP AT 240 V.
- ⑥ (1) 20 AMP, 1 POLE DOUBLE THROW, 240 VOLT RELAY
- ⑦ (1) 1.5 KVA, SINGLE PHASE, ENCAPSULATED TRANSFORMER 240x480/120x240 VOLT, 60 HZ.
- ⑧ (1) 20 AMP, 120 VOLT DUPLEX GFCI RECEPTACLE.
- ⑨ NEUTRAL BUS BAR, 1/4"x1"x12" LONG MOUNTED ON PANEL WITH TAPS.
- ⑩ 3 POSITION SELECTOR SWITCH
- ⑪ SWITCH FOR LIGHTING FIXTURE MOUNTED IN BOX.
- ⑫ WEATHER-PROOF INCANDESCENT LIGHTING FIXTURE WITH 60 WATT, 120 V LAMP.
- ⑬ PHOTOCELL MOUNTED TO BOTTOM OF VENTED CONTROL CABINET OVERHANG
- ⑭ NO.8 AWG INSULATED GROUND WIRE
- ⑮ IN-LINE FUSEHOLDER WITH FUSE AS NOTED IN FUSE TABLE
- ⑯ GROUND BUS BAR 1/4"x1"x12" LONG MOUNTED ON PANEL WITH TAPS.
- ⑰ LUMINAIRE, 250 HPS
- ⑱ SURGE SUPPRESSOR
- A CIRCUIT
- C CIRCUIT
- D CIRCUIT
- E CIRCUIT

NOMINAL WATTAGE	FUSE SIZE
250	3.5 AMP
310	5.0 AMP

LUMINAIRE FUSE SIZE TABLE



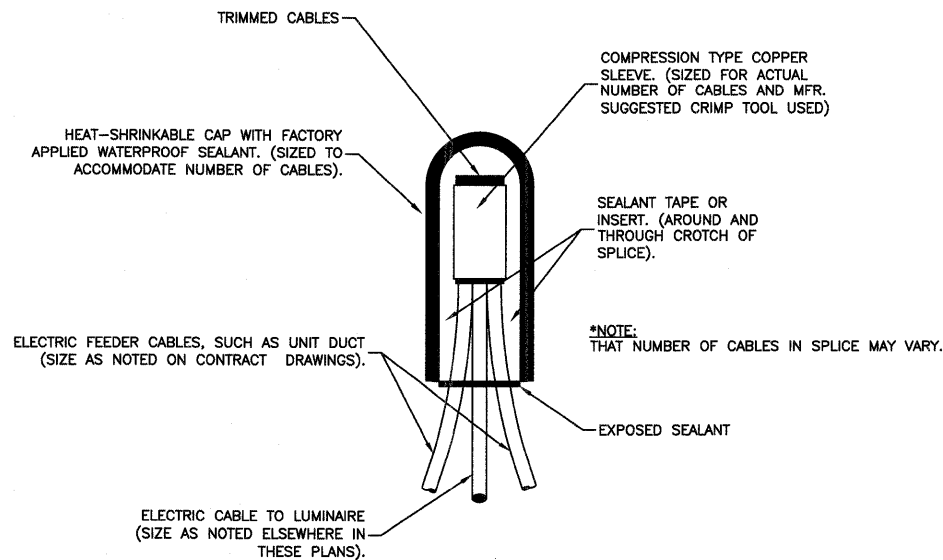
POLE HANDHOLE WIRING DIAGRAM
(TYPICAL FOR SINGLE LUMINAIRE INSTALLATION)

GENERAL NOTES FOR CONTROL CABINET

- ENTIRE CONTROL CABINET SHALL BE GROUNDED.
- ALL WIRING SHALL BE TAGGED WITH SELF-STICKING WIRE MARKERS.
- GROUND BUS TO BE COLOR CODED GREEN, NEUTRAL BUS WHITE, AND BONDED TO CABINET. ENCLOSURE, BY LISTED PRESSURE CONNECTORS OR LISTED CLAMPS.
- ALL INTERNAL CONTROLLER WIRING TO BE NO.12 AWG UNLESS OTHERWISE SPECIFIED.
- CABINET WIRING INSULATION TO BE TYPE XHHW OR APPROVED EQUAL.

LIGHTING GENERAL NOTES

- ALL WORK TO CONFORM TO THE NATIONAL ELECTRICAL CODE AND ANY APPLICABLE LOCAL CODES.
- CONTRACTOR TO VERIFY LOCATION OF ALL UNDERGROUND UTILITIES BEFORE TRENCHING OR AUGERING.
- BEFORE INSTALLING STANDARDS NEAR OVERHEAD FACILITIES CALL C.E. Co. FOR APPROVAL OF LOCATION.
- FOR LOCATION OF EXISTING UNDERGROUND ELECTRICAL CABLE CALL C.E. Co.
- SIZE ALL CONDUIT AS SPECIFIED ON DRAWINGS.
- CONTRACTOR SHALL TAKE ALL NECESSARY MEASURES TO RESTORE ANY SPECIALIZED LANDSCAPING, (I.E. DECORATIVE ROCKS, SHRUBS, PLANTS, ECT.) OR SHALL REPLACE IT, THE COST OF WHICH SHALL BE CONSIDERED INCIDENTAL TO THE CONTRACT.



SPlicing ELECTRIC CABLES
BASIC MATERIALS AND METHODS

DATE	
BY	
REVISION	
NO.	
DATE	
BY	
REVISION	
NO.	
DATE	
BY	
REVISION	
NO.	

DATE	
BY	
REVISION	
NO.	
DATE	
BY	
REVISION	
NO.	
DATE	
BY	
REVISION	
NO.	

FILE NAME = 09353-LGHT-03 - P03

USER NAME =	DESIGNED - PAP	REVISED -
PLOT SCALE = N/A	CHECKED - PKB	REVISED -
PLOT DATE = 12/23/10	DRAWN - MJD	REVISED -
	CHECKED - AG	REVISED -

STATE OF ILLINOIS
DEPARTMENT OF TRANSPORTATION

71ST STREET

STREET LIGHTING - EXISTING CONTROLLER #2 LIGHTING DETAILS

F.A.U. RTE.	SECTION	COUNTY	TOTAL SHEETS	SHEET NO.
1537	06-00050-00-GS	COOK	209	85
CONTRACT NO. 63556				
FED. ROAD DIST. NO. 1 ILLINOIS FED. AID PROJECT CRE-9003(709)				

SCALE: N/A SHEET NO. 85 OF 209 SHEETS STA. N/A TO STA. N/A