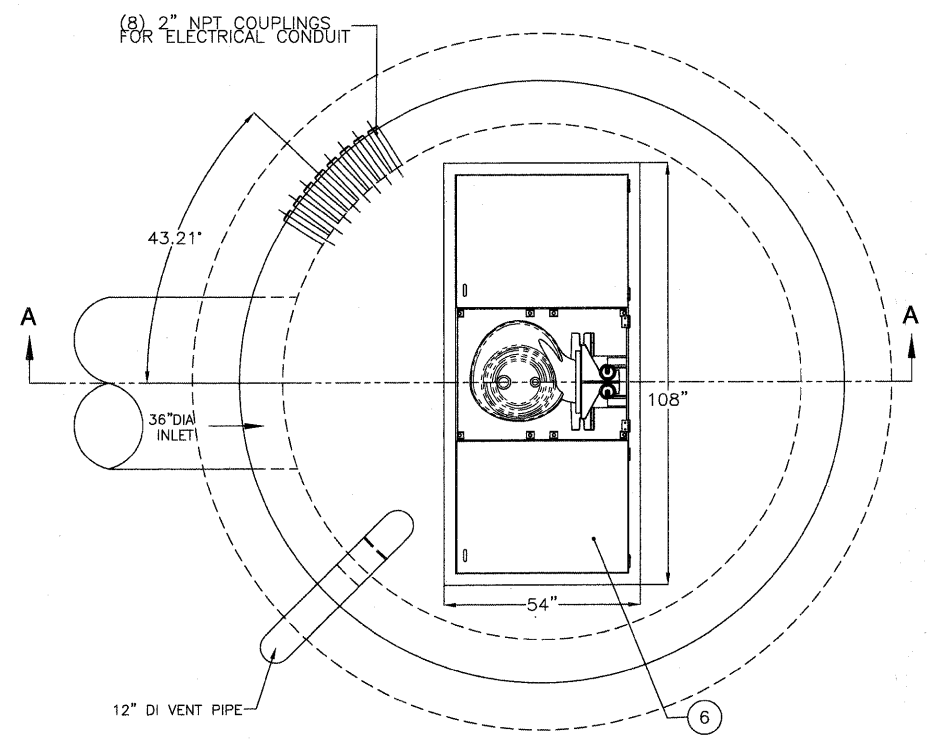
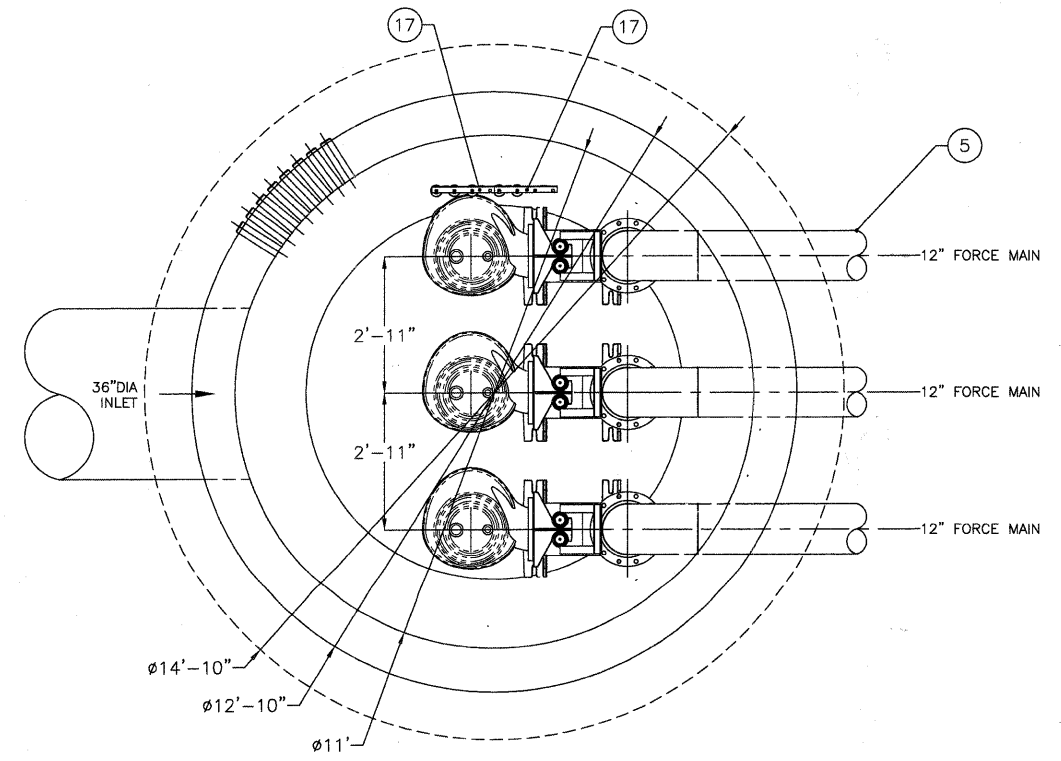


SECTION A-A



PLAN



SECTION B-B

ITEM NO.	PART NUMBER	DESCRIPTION	QTY.
1	WET WELL	11'-0" DIA. PRECAST CONCRETE PER ASTM C478	1
2	12" MTM ELBOW		3
3	12"x10" MTM SEALING FLANGE		3
4	LIFT PUMPS	12" SUBMERSIBLE PUMPS	3
5	12" DISCHARGE RISER	SCH. 40 PIPE	3
6	54"x108"	TRIPLEX ALUMINUM ACCESS HATCH	1
7	UPPER GUIDE RAIL SUPPORT	FOR 3" RAILS	3
12	CONCRETE FILLET	SLOPE 1:1, CONCRETE	1
13	INTERMEDIATE GUIDE RAIL SUPPORT	3" GUIDE RAILS	3
15	3" GUIDE RAIL	SCHED. 40 STAINLESS STEEL PIPE	12
16	FLOAT MOUNTING BRACKET	STAINLESS STEEL	2
17	SUBMERSIBLE LEVEL TRANSDUCER		1
18	FLOAT: OFF LEVEL		1
19	FLOAT: ONE PUMP ON		1
20	FLOAT: TWO PUMPS ON		1
21	FLOAT: THREE PUMPS ON		1
22	FLOAT: ALARM LEVEL		1
23	ANCHOR	10lbs CAST IRON, WITH STAINLESS STEEL CHAIN FOR LEVEL CONTROL MOUNTING	1
24	BARRIER JOINTS	O-RING / BUTYL RUBBER	

FILE NAME = 08363_02-PLAN-01 - P01	USER NAME =	DESIGNED -- PKB	REVISED -- REL - 02-09-11
		CHECKED -- PKB	REVISED --
	PLOT SCALE =	DRAWN -- ACAD	REVISED --
	PLOT DATE = 12/23/10	CHECKED -- ACAD	REVISED --

**STATE OF ILLINOIS**  
**DEPARTMENT OF TRANSPORTATION**

71ST STREET  
PUMPING STATION PLAN & ELEVATION

SCALE: 1/2" = 1'    SHEET NO. 90 OF 209 SHEETS    STA. TO STA.

F.A.U. RTE. 1537	SECTION 06-00050-00-GS	COUNTY COOK	TOTAL SHEETS 209	SHEET NO. 90
CONTRACT NO. 63556				
FED. ROAD DIST. NO. 1 ILLINOIS FED. AID PROJECT CRE-9003(709)				