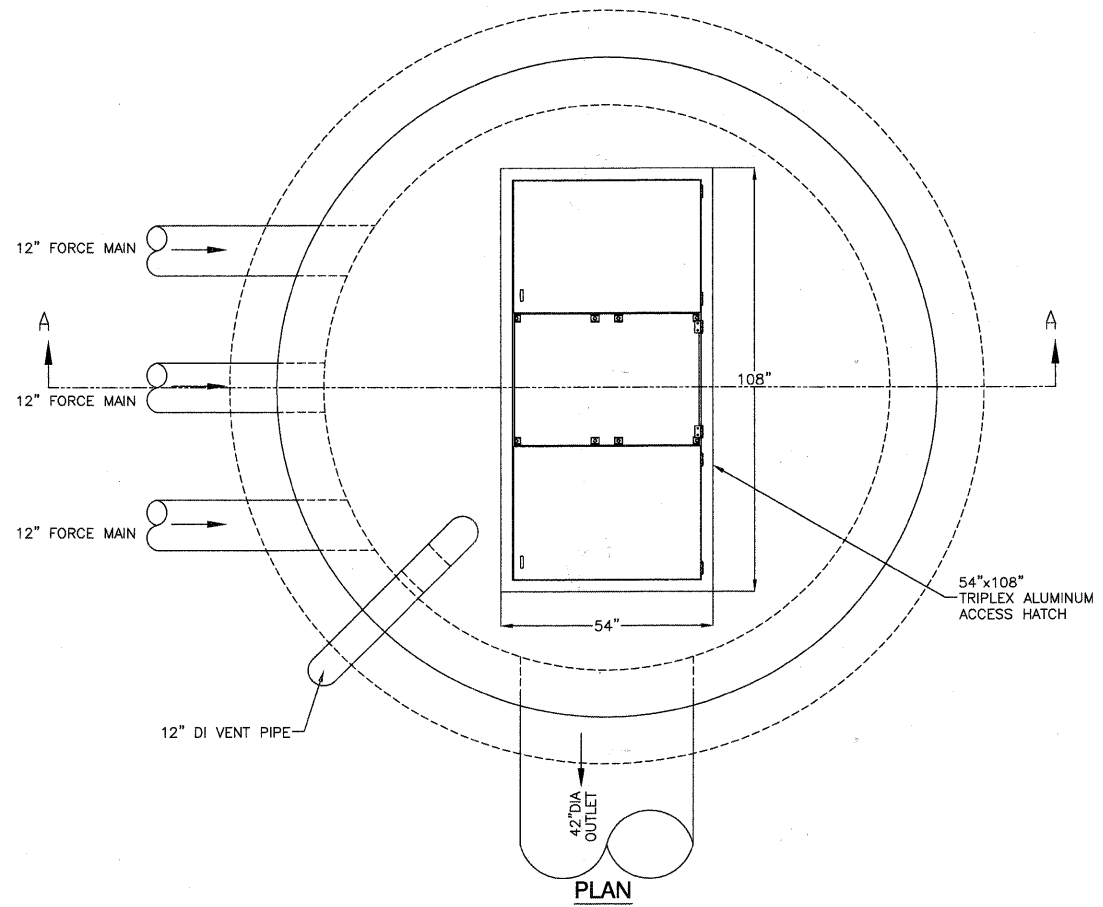
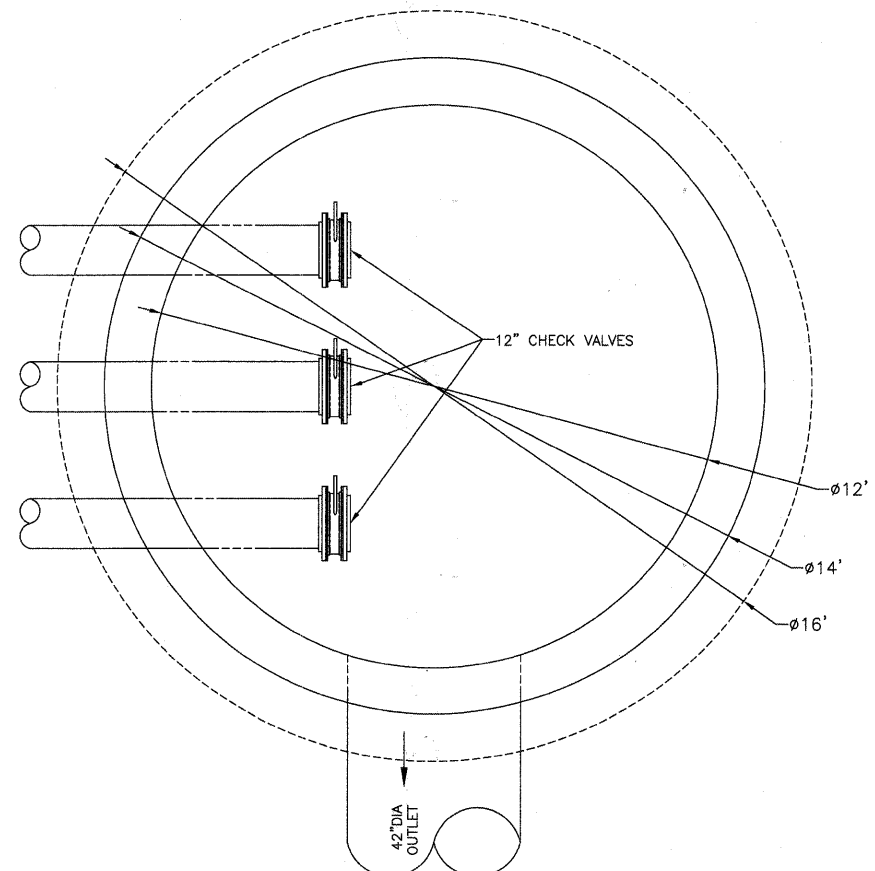


SECTION A-A



PLAN



SECTION B-B

FILE NAME = 09353_02-PLAN-05 - P01

USER NAME =

DESIGNED - PKB

REVISED - REL - 02-09-11

CHECKED - PKB

REVISED -

PLOT SCALE =

DRAWN - ACAD

REVISED -

PLOT DATE = 12/23/10

CHECKED - ACAD

REVISED -

STATE OF ILLINOIS
DEPARTMENT OF TRANSPORTATION

71ST STREET

PUMPING STATION DISCHARGE MANHOLE PLAN & ELEVATION

SCALE: 1/2" = 1'

SHEET NO. 91 OF 209 SHEETS

STA. TO STA.

F.A.U. RTE.

SECTION

COUNTY

TOTAL SHEETS

SHEET NO.

1537

06-00050-00-GS

COOK

209

91

CONTRACT NO. 63556

FED. ROAD DIST. NO. 1 ILLINOIS FED. AID PROJECT CRE-9003(709)