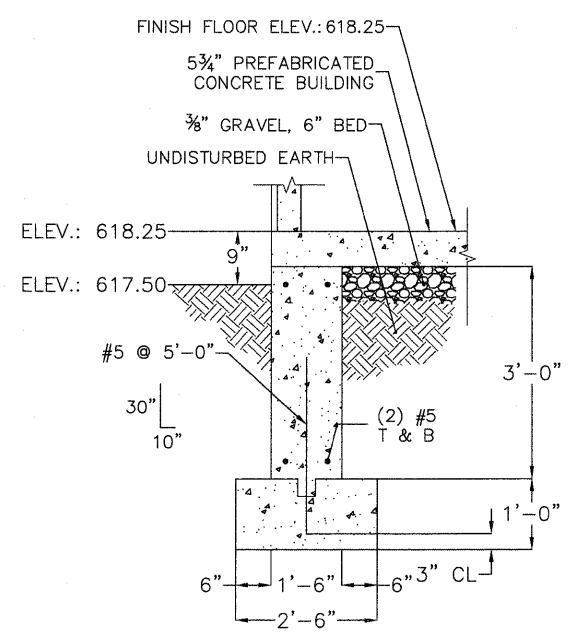


PLAN

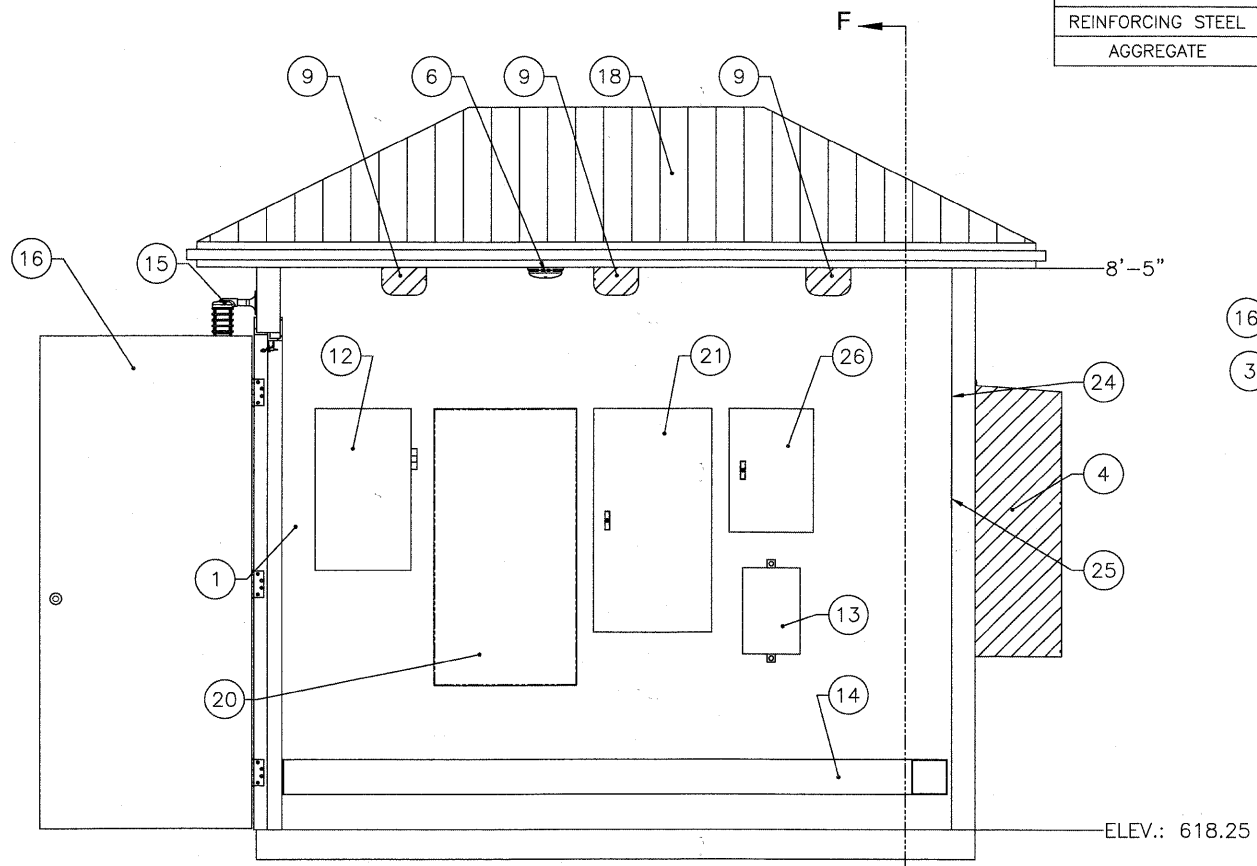


FOUNDATION DETAIL

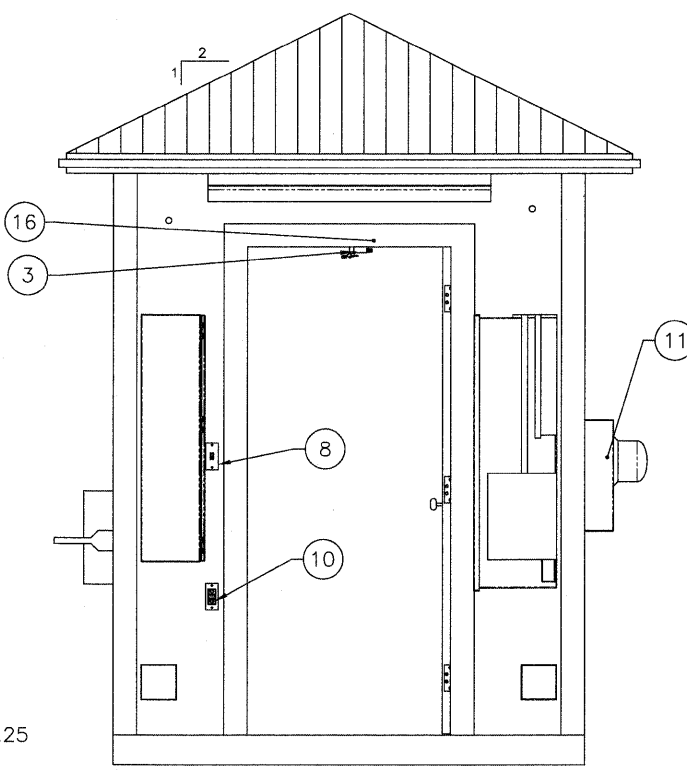
NOTE:
BUILDING SHALL BE ANCHORED TO THE FOUNDATION WITH ANCHOR BOLTS SUPPLIED BY PRECAST MANUFACTURER.

FOUNDATION BILL OF MATERIAL - BUILDING		
ITEM	QUANTITY	DESCRIPTION
CONCRETE	5.4 CU YDS	3000 PSI CONCRETE
REINFORCING STEEL	132 LF(138 LBS)	NO. 5 BARS ASTM A615 (GR40) DEFORMED
AGGREGATE	1.1 CU YDS	FA 1 AGGREGATE

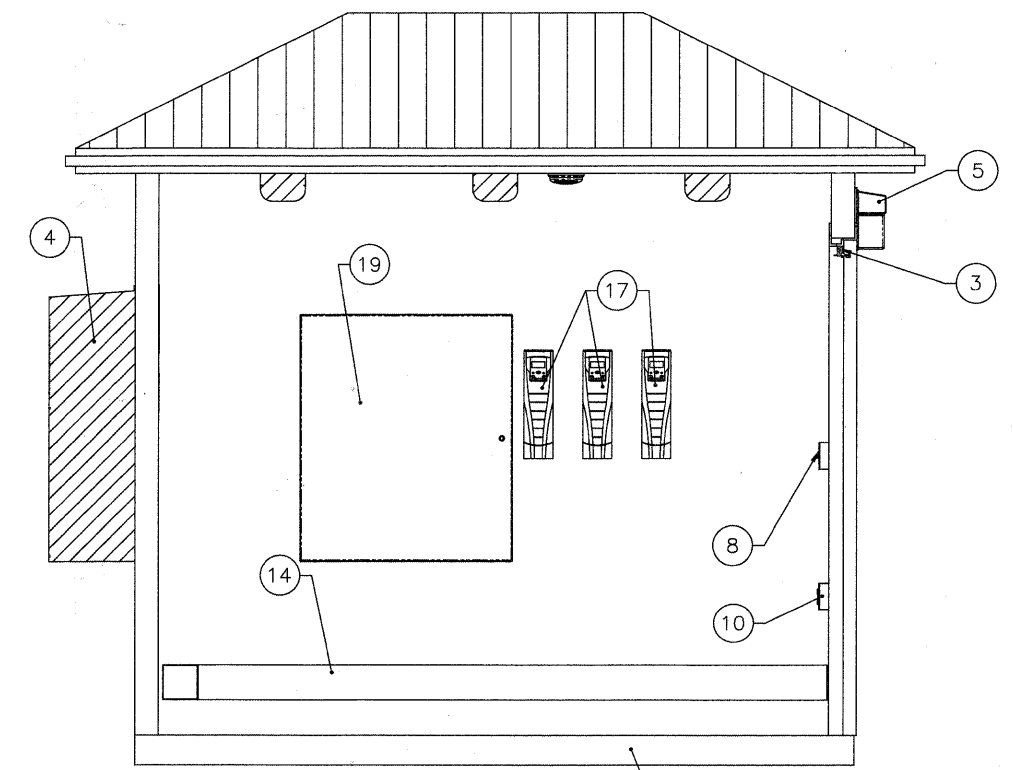
ITEM NO.	PART NUMBER	DESCRIPTION	QTY.
1	BUILDING WALLS		1
2	FLOOR SLAB	5" THICK CONCRETE	1
3	LIMIT SWITCH		1
4	HVAC	1 TON HVAC UNIT	1
5	WALL LIGHT	OUTDOOR - 5MM59	1
6	SMOKE DETECTOR		1
7	THERMOSTAT		1
8	LIGHT SWITCH	115 VAC	1
9	48" FLUORESCENT LIGHT	115 VOLT - SUITABLE FOR DAMP LOCATIONS	3
10	DUPLEX OUTLET	115 VAC	1
11	ELECTRIC METER	277/480 VOLT, 3 PHASE, 4 WIRE, 400 AMP SERVICE	1
12	MAIN DISCONNECT	400 AMP	1
13	10 kVA TRANSFORMER		1
14	WIRING TROUGH		1
15	ALARM LIGHT		1
16	36" x 84" SINGLE DOOR	36" WIDE x 84" TALL	1
17	VFD	40 HP (480 VOLT)	3
18	HIP ROOF	METAL PANEL ROOF	1
19	CONTROL PANEL		1
20	400 AMP ATS		1
21	PANEL BOARD	480 VOLT, 3 PHASE, 400 AMP	1
22	100 AMP LOCAL DISCONNECT	PUMP DISCONNECT	3
24	RG-1	SUPPLY GRILL	1
25	SG-1	RETURN GRILL	1
26	LIGHTING PANEL	SINGLE PHASE, 24 SPACES	1



SECTION D-D



SECTION E-E



SECTION F-F

FILE NAME = 09053_02-PLAN-02 - P01	USER NAME =	DESIGNED - PKB	REVISED - REL - 01-14-11	STATE OF ILLINOIS DEPARTMENT OF TRANSPORTATION	71ST STREET		F.A.U. RTE.	SECTION	COUNTY	TOTAL SHEETS	SHEET NO.	
	PLOT SCALE =	CHECKED - PKB	REVISED - REL - 02-09-11		PUMPING STATION CONTROL BUILDING PLAN		1537	06-00050-00-GS	COOK	209	92	
	PLOT DATE = 12/23/10	DRAWN - PS/LTL	REVISED -		SCALE: 3/4" = 1'	SHEET NO. 92	OF 209 SHEETS	STA.	TO STA.	CONTRACT NO. 63556		
		CHECKED - AG	REVISED -		FED. ROAD DIST. NO. 1 ILLINOIS FED. AID PROJECT CRE-9003(709)							

BT SAVED BY: RICHARDS, DN 07/11
CUTTED BY: RICHARD GONDEK ON 2/2/11