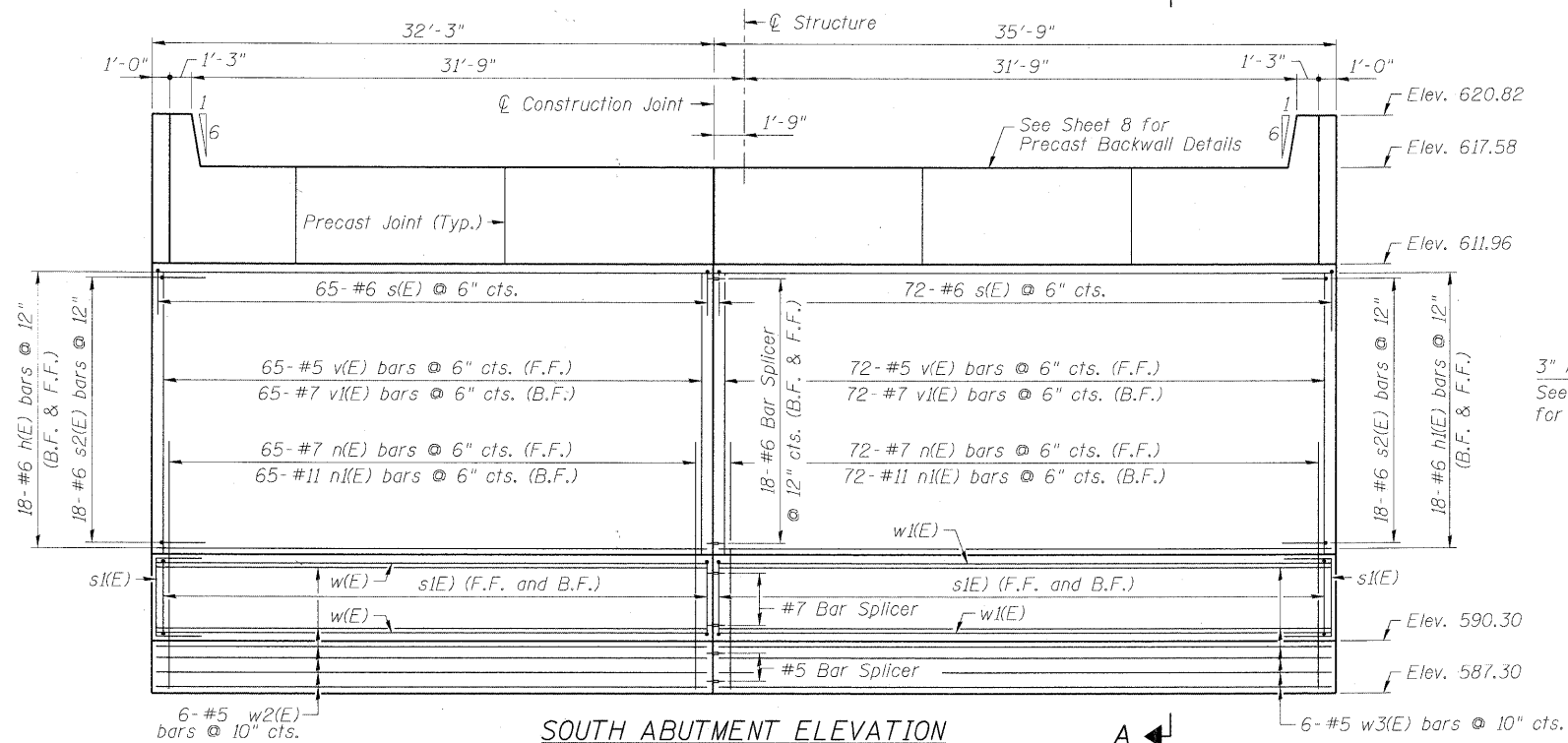
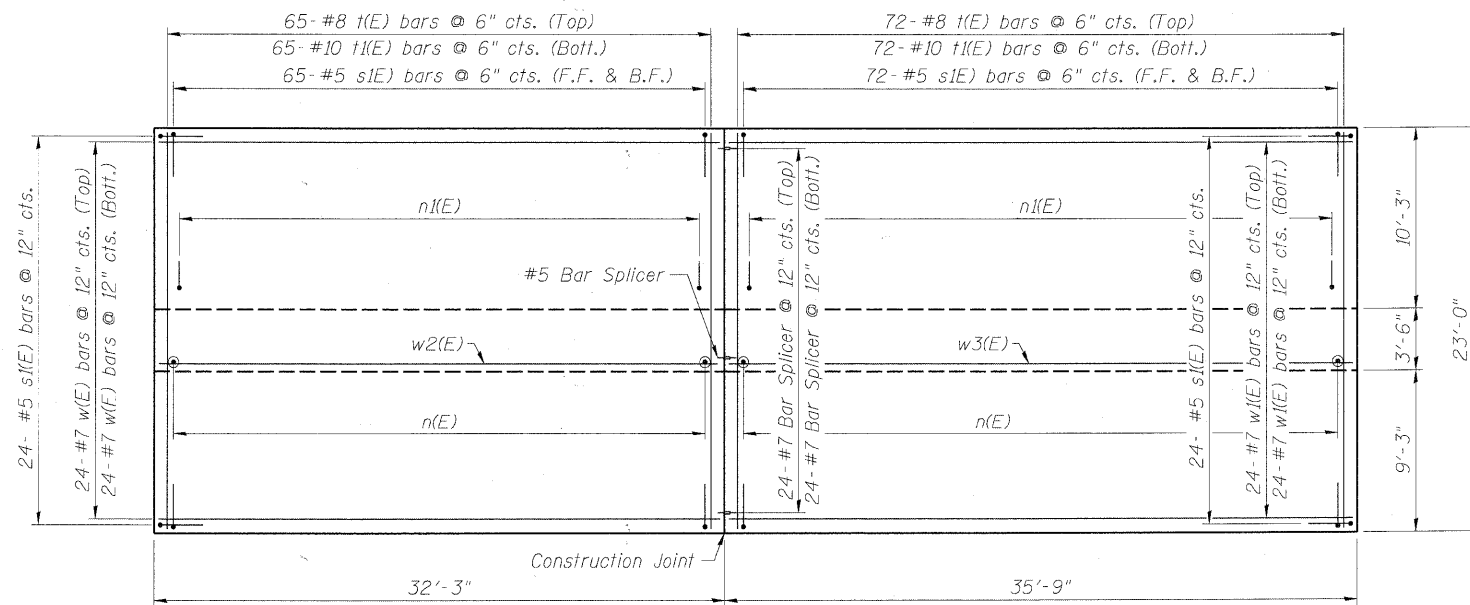


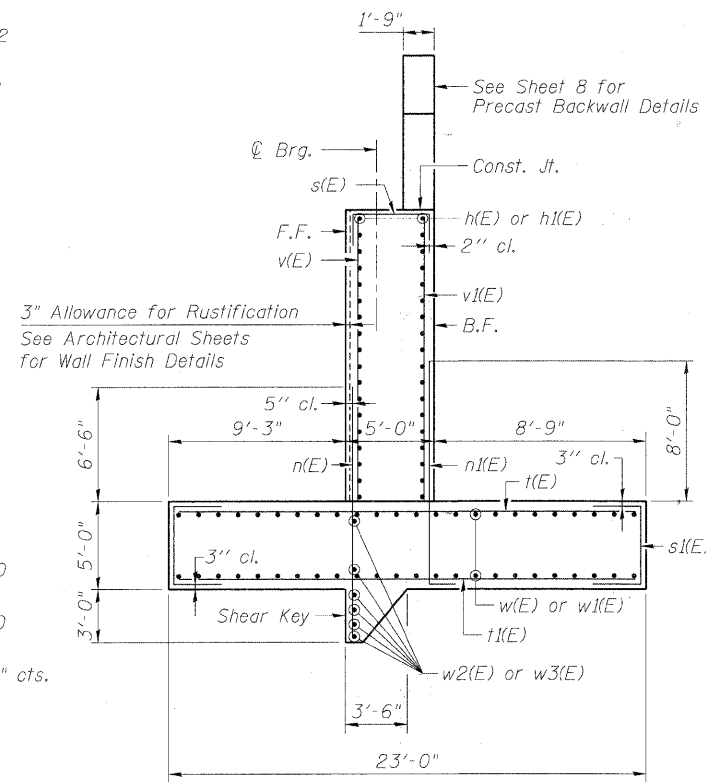
TOP PLAN



SOUTH ABUTMENT ELEVATION



FOOTING PLAN



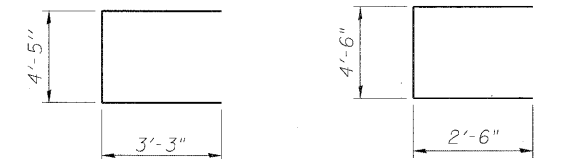
SECTION A-A

Notes:  
 F.F. = Front Face  
 B.F. = Back Face  
 Bott. = Bottom

BILL OF MATERIAL

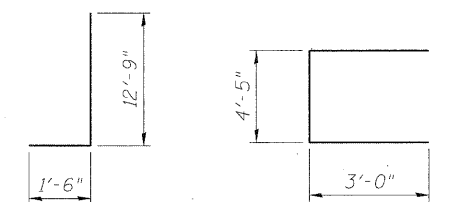
Bar	No.	Size	Length	Shape
h(E)	36	#6	32'-0"	—
h1(E)	36	#6	35'-6"	—
n(E)	137	#7	14'-3"	—
n1(E)	137	#11	14'-3"	—
s(E)	137	#6	10'-11"	—
s1(E)	322	#5	9'-6"	—
s2(E)	36	#6	10'-5"	—
t(E)	137	#8	22'-6"	—
t1(E)	137	#10	22'-6"	—
v(E)	137	#5	16'-6"	—
v1(E)	137	#7	16'-6"	—
w(E)	48	#7	32'-0"	—
w1(E)	48	#7	35'-6"	—
w2(E)	6	#5	32'-0"	—
w3(E)	6	#5	35'-6"	—
Structure Excavation			Cu. Yd.	727.9
Concrete Structures			Cu. Yd.	525.9
Reinforcement Bars, Epoxy Coated			Pound	64,980
Geocomposite Wall Drain			Sq. Yd.	166
Bar Splicers			Each	90

For details of Bar Splicers, See Sheet 9 of 61



BAR s(E)

BARS s1(E)



BAR n1(E)

BARS s2(E)

NOTE:

- Contractor to submit revised reinforcement plans for review if staging requirements require revised reinforcement. Minimum development lengths as listed in sheet 2 of 65 shall be provided.
- Work this sheet with Sheet 8 of 65.

FILE NAME = P:\6015877\020 CAD\01.Dwg\Reinforcement\016-7721\DOT\sh.05.5-Abutment-Details.rvt



USER NAME = knitzm  
 PLOT SCALE = 0.1" = 1'-0"  
 PLOT DATE = 3/16/2011

DESIGNED - BMR  
 DRAWN - COM  
 CHECKED - DD  
 DATE - 11/23/2010

REVISED -  
 REVISED -  
 REVISED -  
 REVISED -

STATE OF ILLINOIS  
 DEPARTMENT OF TRANSPORTATION

SOUTH ABUTMENT REINFORCEMENT  
 STRUCTURE NO. 016-7721

SCALE: NONE SHEET NO. 5 OF 65 SHEETS STA. TO STA.

F.A.U. RTE.	SECTION	COUNTY	TOTAL SHEETS	SHEET NO.
1537	06-00050-00-65	COOK	209	99
CONTRACT NO. 63556				
FED. ROAD DIST. NO. 1 ILLINOIS FED. AID PROJECT CRE-900317091				