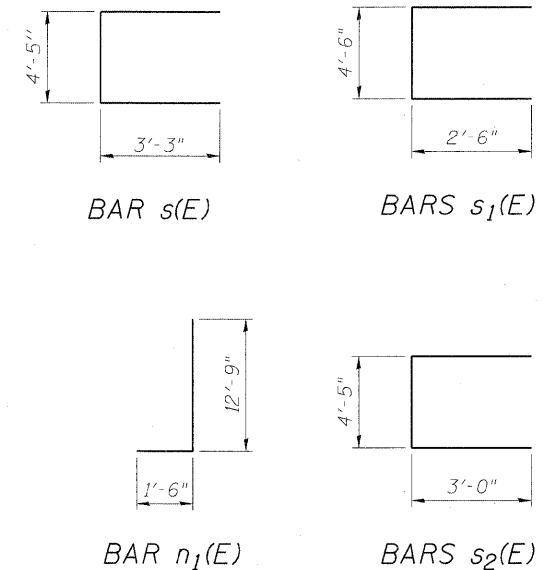


**BILL OF MATERIAL**

Bar	No.	Size	Length	Shape
h(E)	36	#6	32'-0"	—
h <sub>1</sub> (E)	36	#6	35'-6"	—
n(E)	137	#7	14'-3"	—
n <sub>1</sub> (E)	137	#11	14'-3"	—
s(E)	137	#6	10'-11"	—
s <sub>1</sub> (E)	330	#5	9'-6"	—
s <sub>2</sub> (E)	36	#6	10'-5"	—
t <sub>2</sub> (E)	137	#10	26'-6"	—
t <sub>3</sub> (E)	137	#10	26'-6"	—
v <sub>2</sub> (E)	137	#5	16'-8"	—
v <sub>3</sub> (E)	137	#7	16'-8"	—
w(E)	56	#7	32'-0"	—
w <sub>1</sub> (E)	56	#7	35'-6"	—
w <sub>2</sub> (E)	6	#5	32'-0"	—
w <sub>3</sub> (E)	6	#5	35'-6"	—
Structure Excavation			Cu. Yd.	727.9
Concrete Structures			Cu. Yd.	579.6
Reinforcement Bars, Epoxy Coated			Pound	76,000
Geocomposite Wall Drain			Sq. Yd.	167
Bar Splicers			Each	98

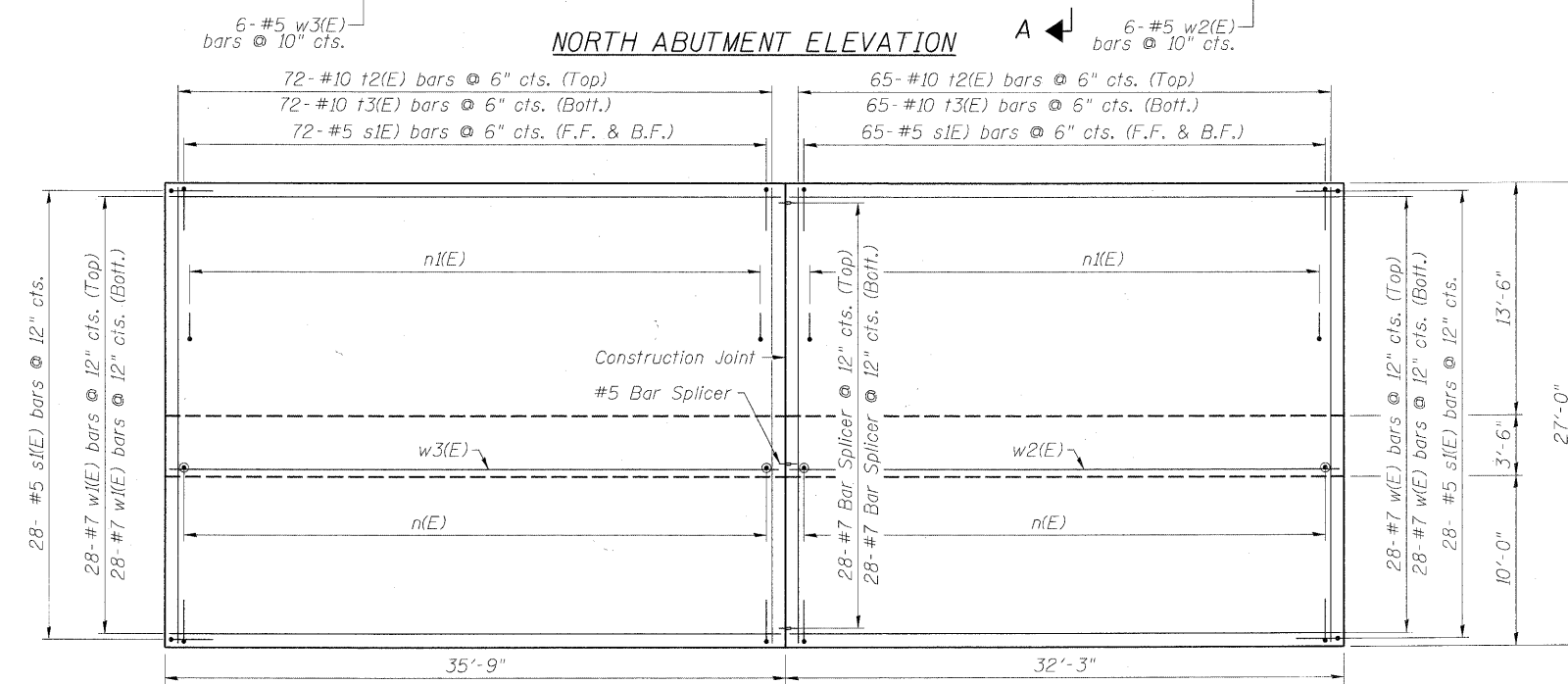
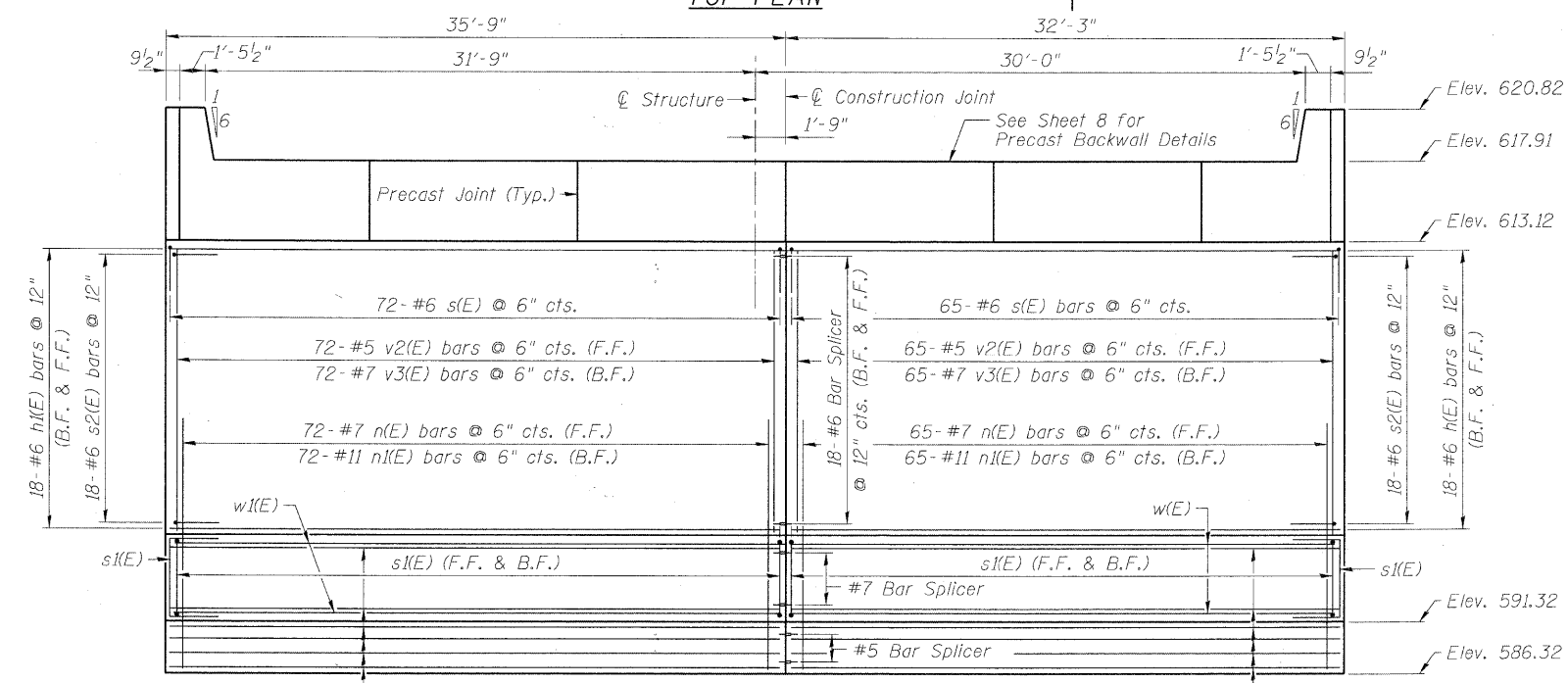
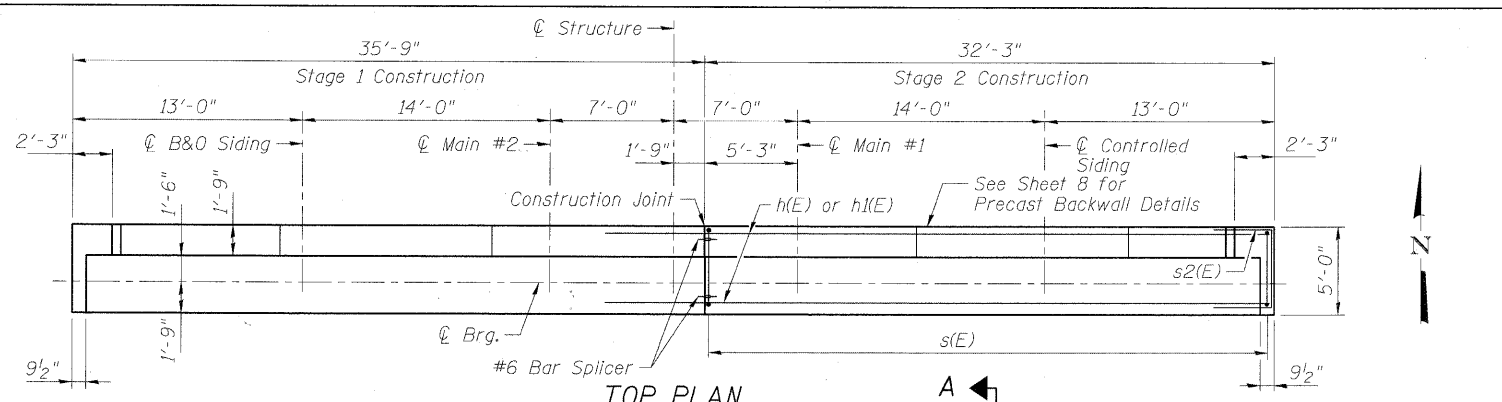
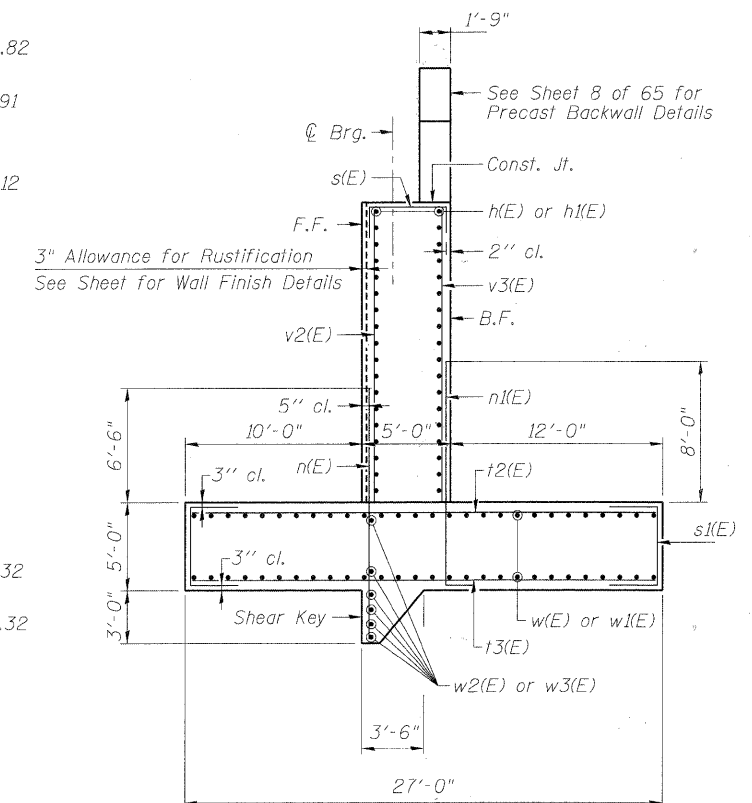
For details of Bar Splicers, See Sheet 9 of 61



**NOTE:**

- Contractor to submit revised reinforcement plans for review if staging requirements require revised reinforcement. Minimum development lengths as listed in sheet 2 of 65 shall be provided.
- Work this sheet with Sheet 8 of 65.

**Notes:**  
 F.F. = Front Face  
 B.F. = Back Face  
 Bott. = Bottom



FILE NAME = F:\615597\025\_CAD\021\_Drawing\Sheet\Structure\016-7721\_1001.dwg, N:\Abutment\016-7721.dwg