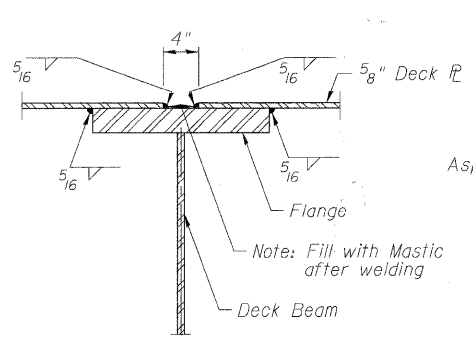
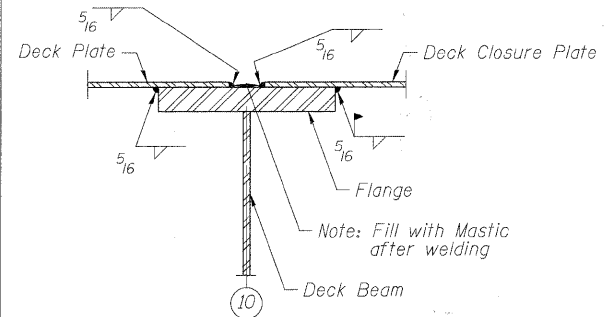


**FLOOR PLATE PLAN**

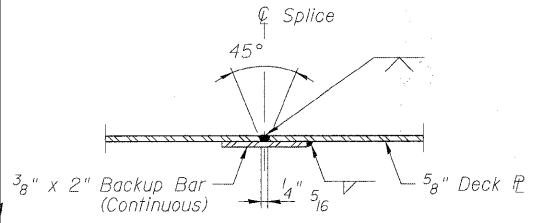
Notes:  
 A. Plate Splice locations are suggested. Contractor may respace joints. Submit plan to Engineer for approval prior to fabrication.  
 B. Suggested Splice. Contractor may propose alternate Splice method for Approval.



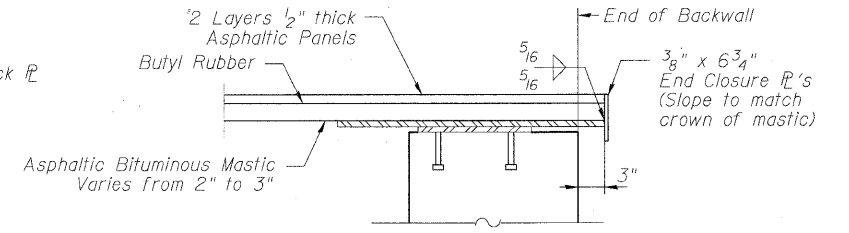
**SECTION A-A**  
For Splice over Beam Flange. (Typ.)



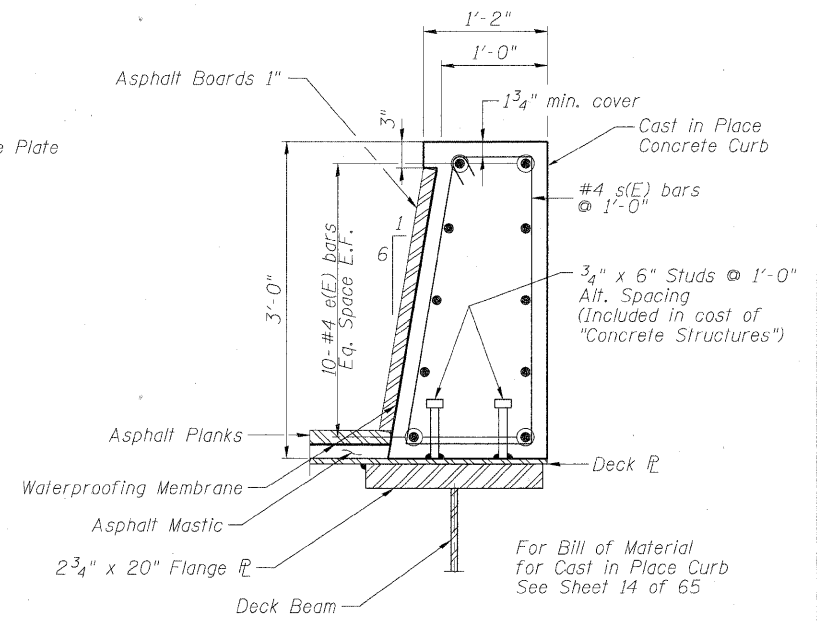
**SECTION F-F**  
At Stage Line



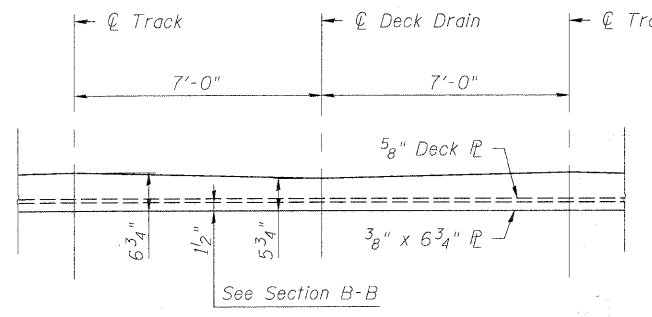
**SECTION E-E**  
For Longitudinal Splice Between Beams



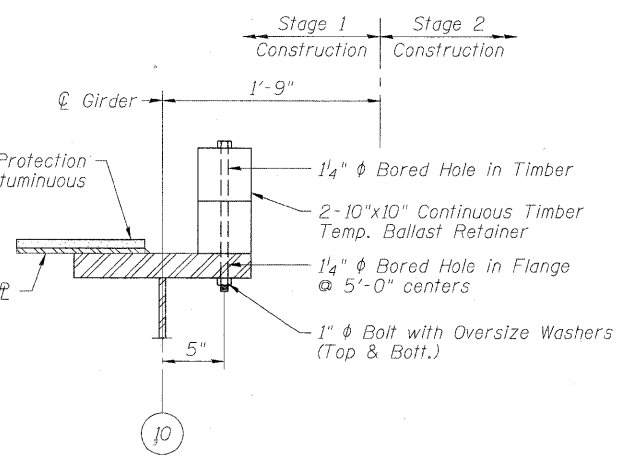
**SECTION B-B**  
At Deck Ends



**SECTION D-D**  
(Curb Waterproofing)



**SECTION AT END CLOSURE PLATE**  
(TYP. EACH TRACK)



1. Provide Splice for Stage 2 Waterproofing.
2. Weld Closure Deck Plate per Section A-A in Stage 2.

**TEMP. BALLAST RETAINER**  
(STAGE CONSTRUCTION)

FILE NAME = P:\68155077\002\_CADD\01\_Drawing\Sheets\Structure\016-7721\DDT\_1112\_2\_Deck.dgn



USER NAME = kritz	DESIGNED - BMR	REVISED -
PLOT SCALE = 0.1" = 1'-0"	DRAWN - COM	REVISED -
PLOT DATE = 3/16/2011	CHECKED - DD	REVISED -
	DATE - 11/23/2010	REVISED -

**STATE OF ILLINOIS**  
**DEPARTMENT OF TRANSPORTATION**

**DECK LAYOUT AND DETAILS**  
**STRUCTURE NO. 016-7721**

SCALE: NONE SHEET NO. 12 OF 65 SHEETS STA. TO STA.

F.A.J. RTE. 1537	SECTION 06-00050-00-65	COUNTY COOK	TOTAL SHEETS 209	SHEET NO. 106
FED. ROAD DIST. NO. 1 ILLINOIS		FED. AID PROJECT CRE-90031709		CONTRACT NO. 63556