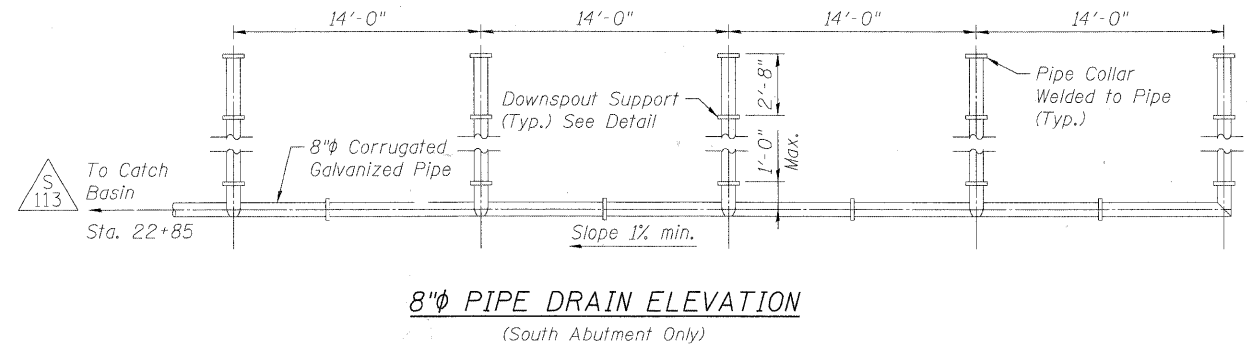
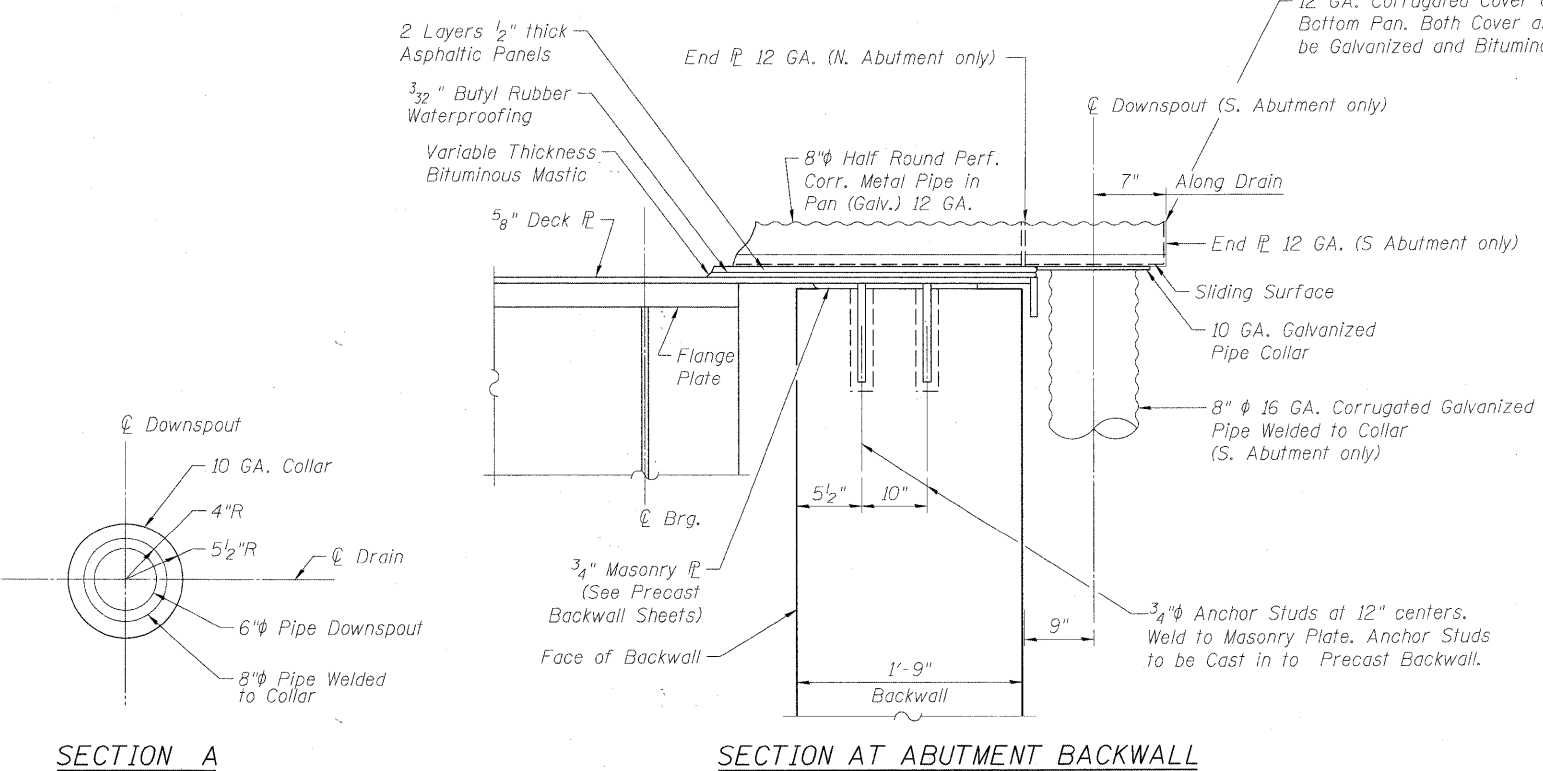
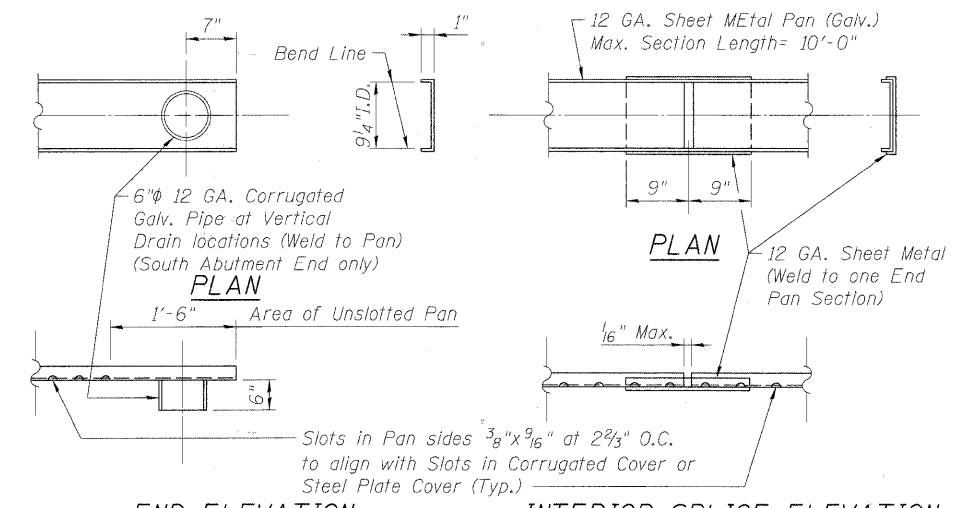
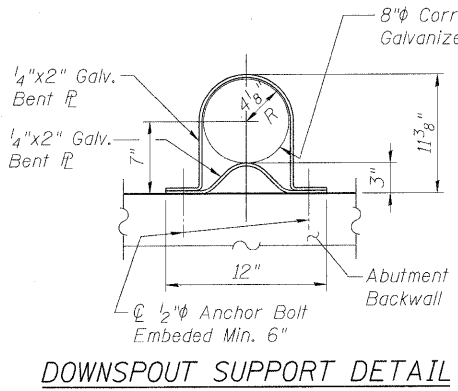
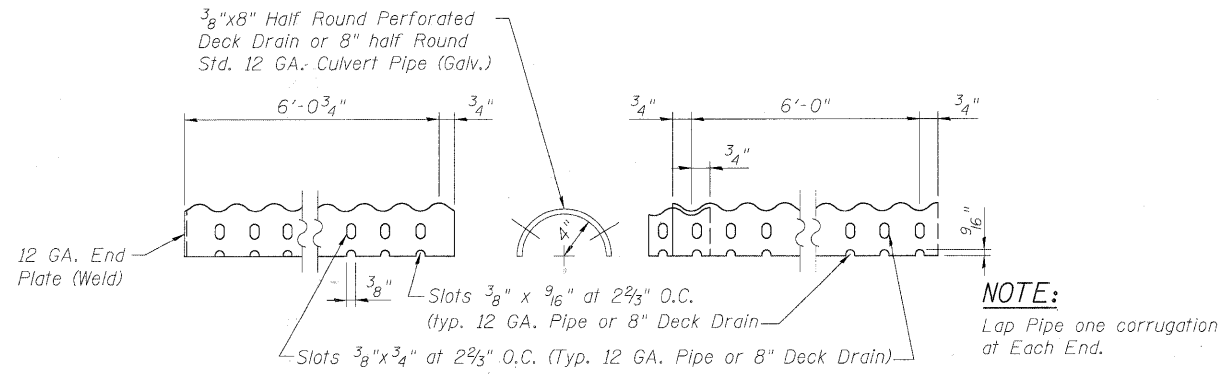


* Crown Waterproofing 1" from ϕ Track to Deck Drain.



FILE NAME = F:\6155877\002_CAD\001_Drawing\Sheet\Structure\016-7721.D01.dwg Date: 02/11/2011



USER NAME = knitzm	DESIGNED - BR	REVISED -
PLOT SCALE = 20:1' = 1" = 1/20'	DRAWN - GF	REVISED -
PLOT DATE = 3/16/2011	CHECKED -	REVISED -
	DATE - 02/11/2011	REVISED -

STATE OF ILLINOIS
DEPARTMENT OF TRANSPORTATION

DECK DRAINAGE DETAILS
STRUCTURE NO. 016-7721

F.A.U. RTE.	SECTION	COUNTY	TOTAL SHEETS	SHEET NO.
1537	06-00050-00-GS	COOK	209	106A
CONTRACT NO. 63556				
FED. ROAD DIST. NO. 1 ILLINOIS FED. AID PROJECT CRE-90031709				

SCALE: SHEET NO. 13 OF 65 SHEETS STA. TO STA.