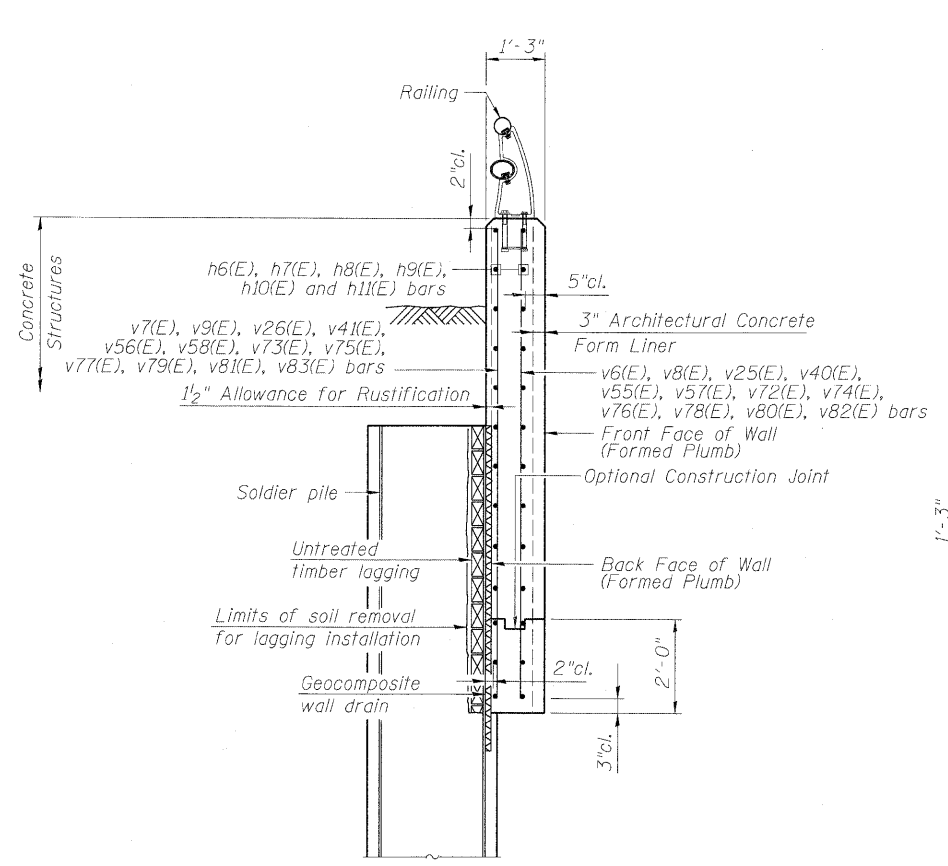
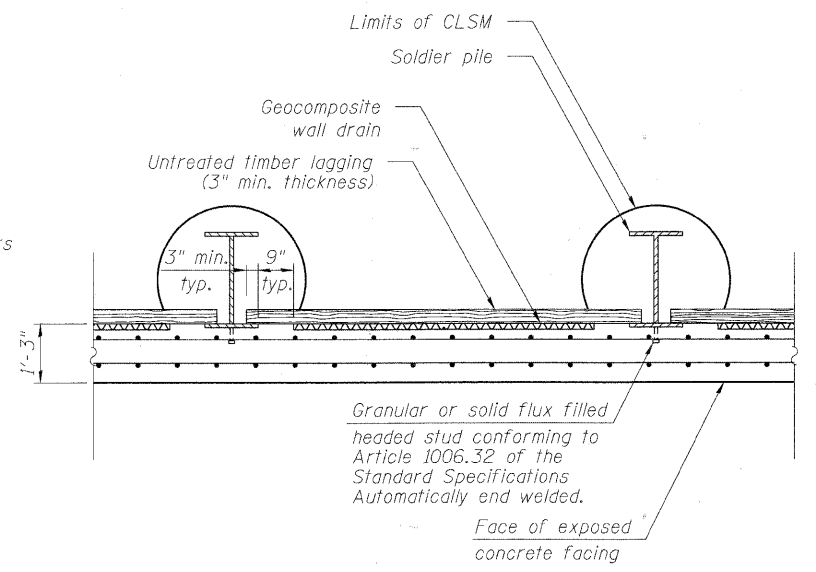


SECTION OF A-A

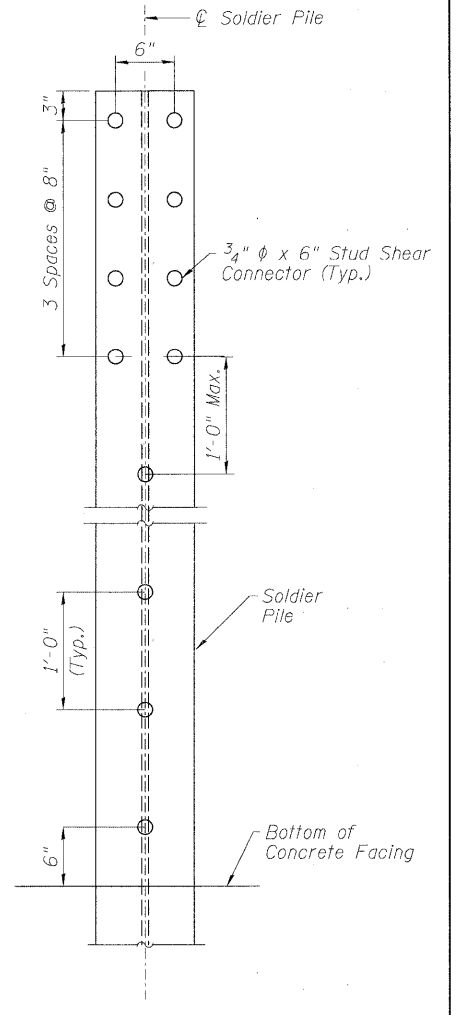


SECTION OF B-B

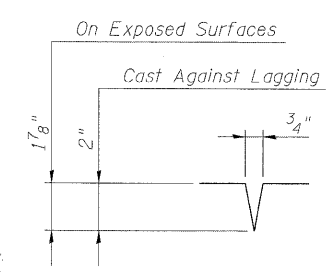
Note: See Sheet No. 52 of 61 for Railing Details.



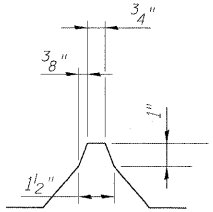
SECTION THRU DRILLED SOLDIER PILE WALL



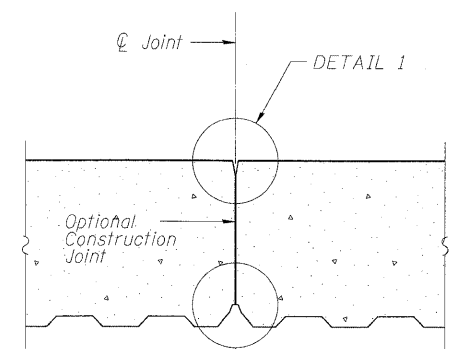
SHEAR STUD DETAIL



DETAIL 1 (Smooth Surface)

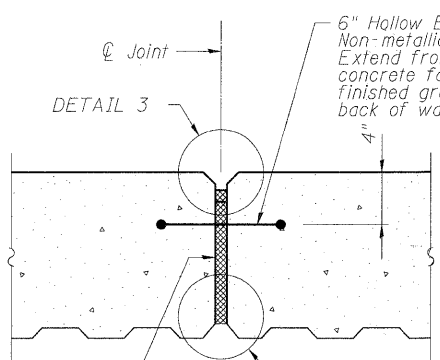


DETAIL 2 (Restricted Surface)



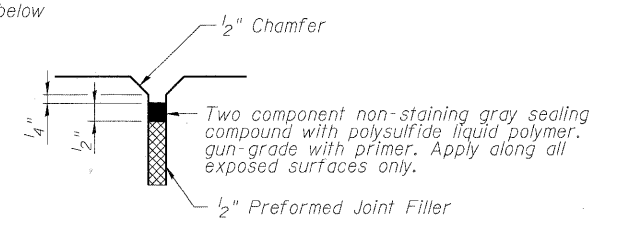
CONSTRUCTION JOINT DETAIL

Notes: Reinforcement not shown. Cost of joint treatment shall be included with pay items Concrete Structure.

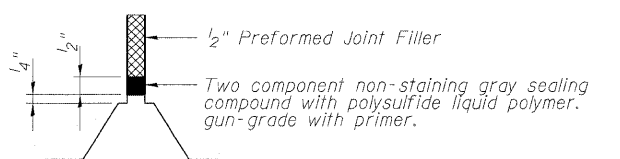


EXPANSION JOINT DETAIL

Notes: Reinforcement not shown. Cost of joint treatment shall be included with pay items Concrete Structure.



DETAIL 3 (Smooth Surface)



DETAIL 4 (Restricted Surface)

FILE NAME: P:\A60156877\022-CAD\001\Drawings\Sheets\Structure\1616-7726-1001-ah-155-Conc-Facing-Section.dgn



USER NAME = dabezicd	DESIGNED - DD	REVISED -
PLOT SCALE = 0:1.0000 '1' / in.	DRAWN - DD	REVISED -
PLOT DATE = 2/17/2011	CHECKED - EJO	REVISED -
	DATE - 10/11/2010	REVISED -

STATE OF ILLINOIS  
DEPARTMENT OF TRANSPORTATION

TYPICAL CONCRETE FACING

SCALE: SHEET NO. 55 OF 65 SHEETS STA. TO STA.

F.A.U. RTE.	SECTION	COUNTY	TOTAL SHEETS	SHEET NO.
1537	06-00050-00-GS	COOK	209	145
CONTRACT NO. 63556			ILLINOIS FED. AID PROJECT	