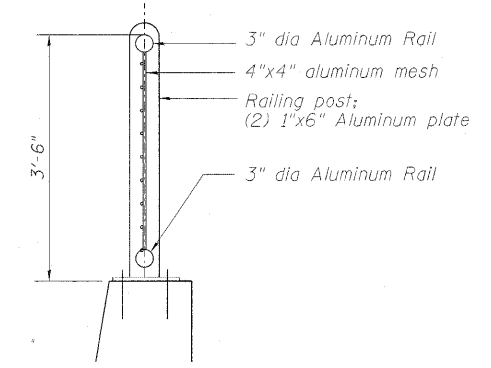
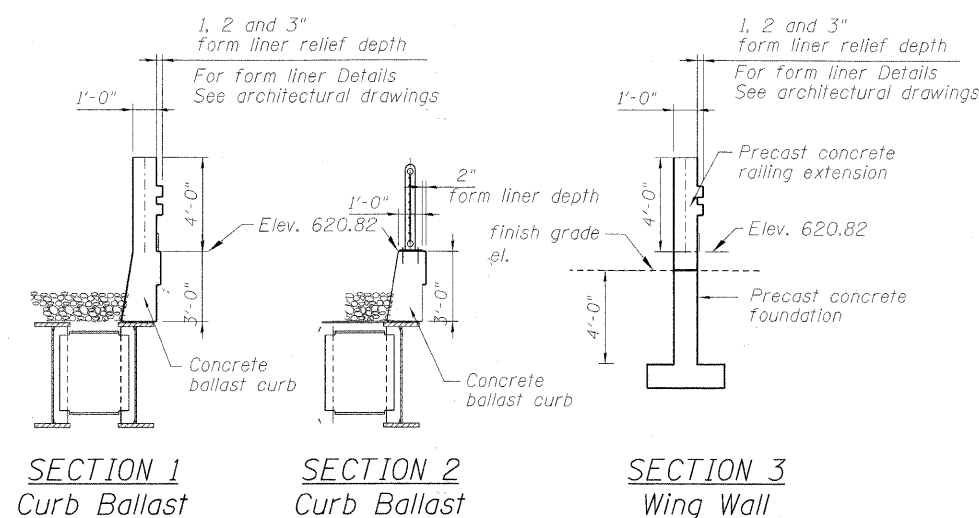
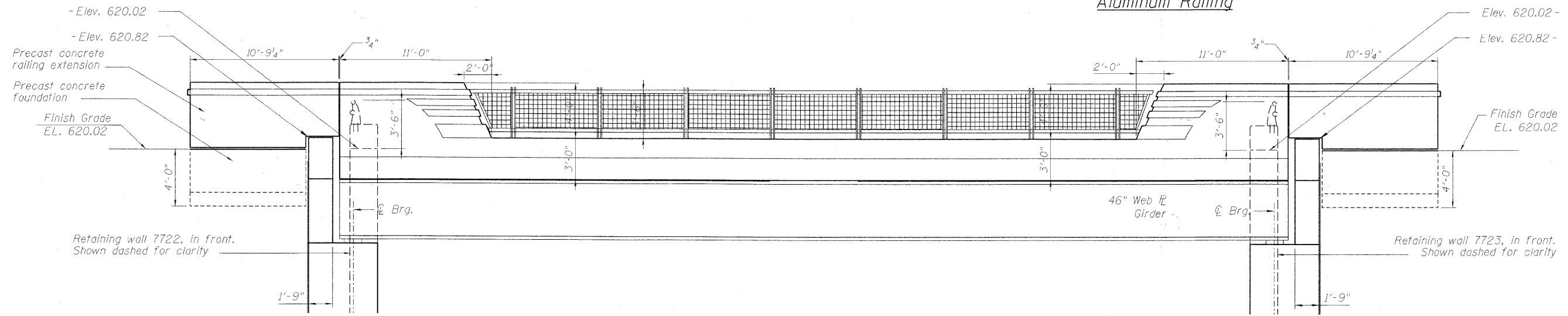


PLAN



SECTION

DETAIL 4
Aluminum Railing



SECTION 1
Curb Ballast

SECTION 2
Curb Ballast

SECTION 3
Wing Wall

FILE NAME = F:\60156877\000_CAD\001_Drawing\Sheet\Arch\Sec\Cur\164_Br_ridgeElev.dgn



USER NAME = rstavskom	DESIGNED - DD	REVISED -
PLOT SCALE = 0:1.0000 '1' / 16"	DRAWN - DD	REVISED -
PLDT DATE = 2/17/2011	CHECKED - EJO	REVISED -
	DATE - 10/11/2010	REVISED -

STATE OF ILLINOIS
DEPARTMENT OF TRANSPORTATION

ARCHITECTURAL TREATMENT - FORMLINERS
BRIDGE RAILING

F.A.U. RTE.	SECTION	COUNTY	TOTAL SHEETS	SHEET NO.
1537	06-00050-00-GS	COOK	209	164
				CONTRACT NO. 63556

SCALE: SHEET NO. 3 OF 20 SHEETS STA. TO STA.

ILLINOIS FED. AID PROJECT