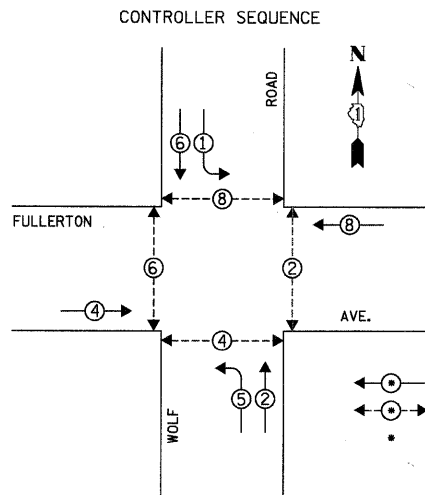


SURVEYED BY: [ ]  
 PLOTTED BY: [ ]  
 DATE: [ ]  
 FILE NAME: [ ]  
 SURVEYED BY: [ ]  
 PLOTTED BY: [ ]  
 DATE: [ ]  
 FILE NAME: [ ]  
 SURVEYED BY: [ ]  
 PLOTTED BY: [ ]  
 DATE: [ ]  
 FILE NAME: [ ]

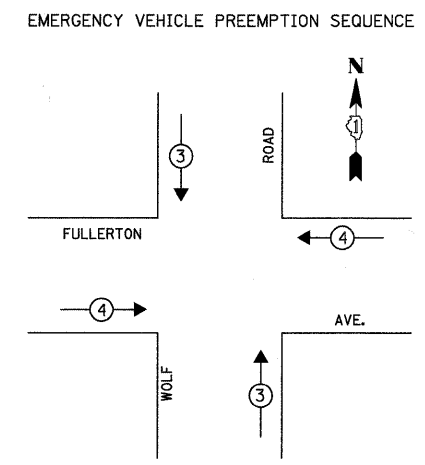
**CHRISTOPHER B. BURKE ENGINEERING LTD.**  
 9575 West Higgins Road, Suite 600  
 Rosemont, Illinois 60018  
 (847) 823-0500

SURVEYED BY: [ ]  
 PLOTTED BY: [ ]  
 DATE: [ ]  
 FILE NAME: [ ]  
 SURVEYED BY: [ ]  
 PLOTTED BY: [ ]  
 DATE: [ ]  
 FILE NAME: [ ]



**LEGEND**  
 DUAL ENTRY PHASE  
 PEDESTRIAN PHASE  
 NUMBER REFERS TO ASSOCIATED PHASE

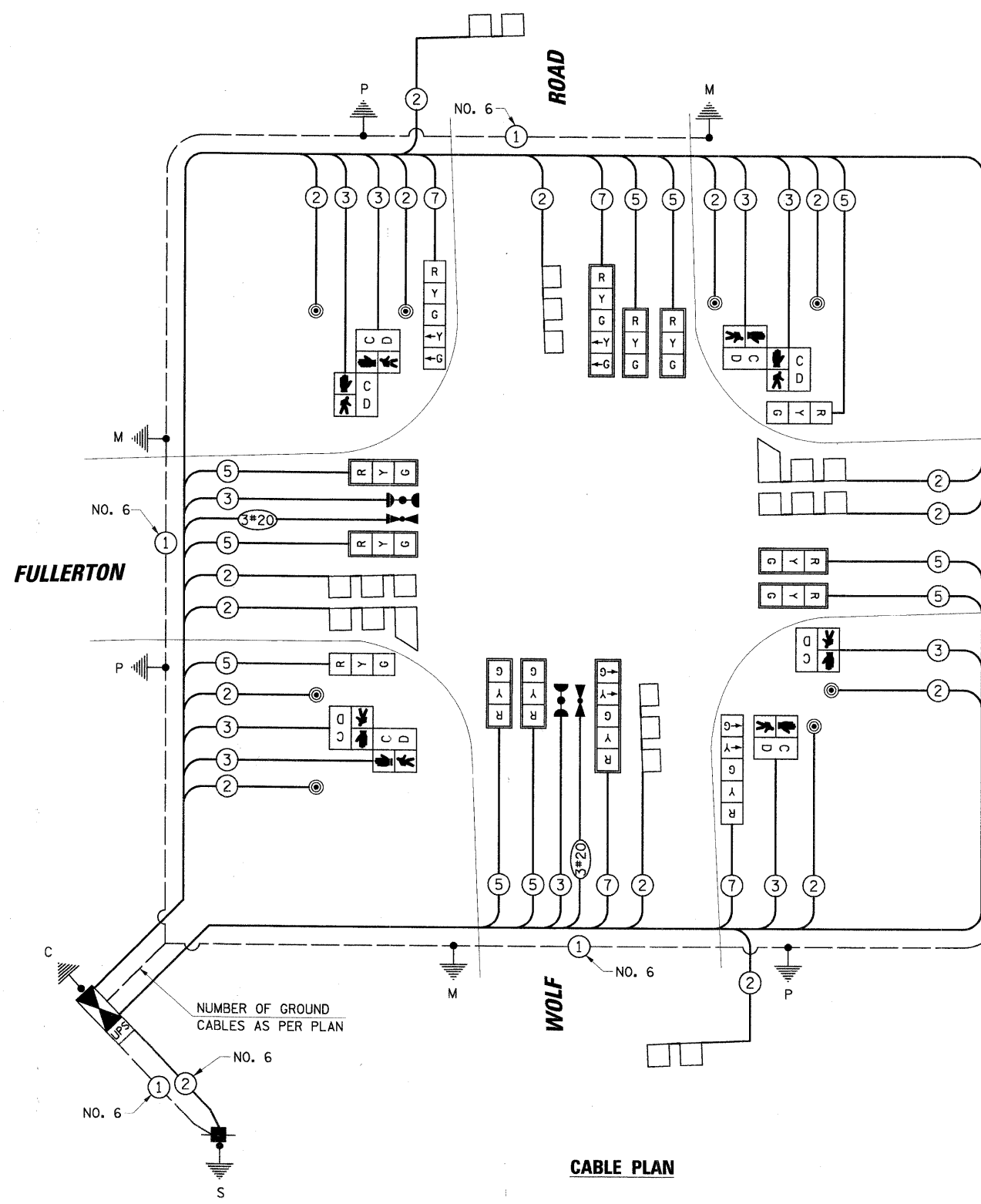
PHASE DESIGNATION DIAGRAM



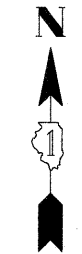
PROPOSED EMERGENCY VEHICLE PREEMPTORS		
EMERGENCY VEHICLE PREEMPTOR	3	4
MOVEMENT	↓ ↑	← →

I.D.O.T. TRAFFIC SIGNAL INSTALLATION ELECTRICAL SERVICE REQUIREMENTS					TOTAL WATTAGE
TYPE	NO. OF LAMPS	WATTAGE X INCAND.	LED	% OPERATION	
SIGNAL (RED)	14		17	0.50	119.0
(YELLOW)	14		25	0.25	87.5
(GREEN)	14		15	0.25	52.5
ARROW	8		12	0.10	9.6
PED. SIGNAL	8		25	1.00	200.0
CONTROLLER	1		100	1.00	100.0
L.E.D. ST. NAME SIGN	-		64	0.50	-
VIDEO SYSTEM	-	150	-	1.00	-
BATTERY BACKUP SYSTEM	1	25	-	1.00	25.0
FLASHER				0.50	
ENERGY COSTS TO:					TOTAL = 593.6

CITY OF NORTHLAKE  
 55 EAST NORTH AVENUE  
 NORTHLAKE, ILLINOIS 60164  
 ENERGY SUPPLY CONTACT: MIKE BELL  
 PHONE: (708) 410-5314  
 COMPANY: COMED



CABLE PLAN



SCHEDULE OF QUANTITIES		ITEM	UNIT	TOTAL
		PORTLAND CEMENT CONCRETE SIDEWALK 5 INCH	SQ FT	1269
		DETECTABLE WARNINGS	SQ FT	161
		SIDEWALK REMOVAL	SQ FT	1174
		COMBINATION CURB AND GUTTER REMOVAL	FOOT	140
		COMBINATION CONCRETE CURB AND GUTTER, TYPE B-6.12	FOOT	140
		MOBILIZATION	L SUM	1
		TRAFFIC CONTROL AND PROTECTION, STANDARD 701501	L SUM	1
		TRAFFIC CONTROL AND PROTECTION, STANDARD 701701	L SUM	1
		TRAFFIC CONTROL AND PROTECTION, STANDARD 701801	L SUM	1
		SIGN PANEL - TYPE 1	SQ FT	30
		THERMOPLASTIC PAVEMENT MARKING - LINE 12"	FOOT	480
		THERMOPLASTIC PAVEMENT MARKING - LINE 24"	FOOT	114
		PAVEMENT MARKING REMOVAL	SQ FT	451
		CONDUIT IN TRENCH, 2" DIA., GALVANIZED STEEL	FOOT	502
		CONDUIT IN TRENCH, 1 1/2" DIA., GALVANIZED STEEL	FOOT	32
		CONDUIT IN TRENCH, 3" DIA., GALVANIZED STEEL	FOOT	146
		CONDUIT IN TRENCH, 4" DIA., GALVANIZED STEEL	FOOT	61
		CONDUIT PUSHED, 2" DIA., GALVANIZED STEEL	FOOT	25
		CONDUIT PUSHED, 4" DIA., GALVANIZED STEEL	FOOT	316
		HANDHOLE	EACH	4
		HEAVY-DUTY HANDHOLE	EACH	2
		DOUBLE HANDHOLE	EACH	2
		TRENCH AND BACKFILL FOR ELECTRICAL WORK	FOOT	706
		FULL-ACTUATED CONTROLLER AND TYPE IV CABINET, SPECIAL	EACH	1
		ELECTRIC CABLE IN CONDUIT, SIGNAL NO. 14 20	FOOT	1088
		ELECTRIC CABLE IN CONDUIT, SIGNAL NO. 14 30	FOOT	1402
		ELECTRIC CABLE IN CONDUIT, SIGNAL NO. 14 3C	FOOT	1626
		ELECTRIC CABLE IN CONDUIT, SIGNAL NO. 14 7C	FOOT	649
		ELECTRIC CABLE IN CONDUIT, LEAD-IN, NO. 14 1 PAIR	FOOT	1457
		ELECTRIC CABLE IN CONDUIT, SERVICE, NO. 6 2 C	FOOT	34
		TRAFFIC SIGNAL POST, GALVANIZED STEEL 14 FT.	EACH	1
		TRAFFIC SIGNAL POST, GALVANIZED STEEL 16 FT.	EACH	2
		STEEL MAST ARM ASSEMBLY AND POLE, 24 FT.	EACH	2
		STEEL MAST ARM ASSEMBLY AND POLE, 35 FT.	EACH	1
		STEEL MAST ARM ASSEMBLY AND POLE, 35 FT.	EACH	1
		CONCRETE FOUNDATION, TYPE A	FOOT	12
		CONCRETE FOUNDATION, TYPE C	FOOT	4
		CONCRETE FOUNDATION, TYPE E 30-INCH DIAMETER	FOOT	20
		CONCRETE FOUNDATION, TYPE E 36-INCH DIAMETER	FOOT	30
		SIGNAL HEAD, LED, 1-FACE, 3-SECTION, MAST-ARM MOUNTED	EACH	8
		SIGNAL HEAD, LED, 1-FACE, 3-SECTION, BRACKET MOUNTED	EACH	2
		SIGNAL HEAD, LED, 1-FACE, 5-SECTION, BRACKET MOUNTED	EACH	2
		SIGNAL HEAD, LED, 1-FACE, 5-SECTION, MAST-ARM MOUNTED	EACH	2
		PEDESTRIAN SIGNAL HEAD, LED, 1-FACE, BRACKET MOUNTED WITH COUNTDOWN TIMER	EACH	3
		PEDESTRIAN SIGNAL HEAD, LED, 2-FACE, BRACKET MOUNTED WITH COUNTDOWN TIMER	EACH	10
		TRAFFIC SIGNAL BACKPLATE, LOUVERED, ALUMINUM	EACH	8
		INDUCTIVE LOOP DETECTOR	FOOT	734
		DETECTOR LOOP, TYPE 1	EACH	2
		LIGHT DETECTOR	EACH	1
		LIGHT DETECTOR AMPLIFIER	EACH	8
		PEDESTRIAN PUSH-BUTTON	EACH	1
		TEMPORARY TRAFFIC SIGNAL INSTALLATION	EACH	1
		REMOVE EXISTING TRAFFIC SIGNAL EQUIPMENT	EACH	1
		REMOVE EXISTING HANDHOLE	EACH	8
		REMOVE EXISTING CONCRETE FOUNDATION	EACH	9
		EMERGENCY VEHICLE PRIORITY SYSTEM LINE SENSOR CABLE, NO. 20 3/C	FOOT	260
		SERVICE INSTALLATION - POLE MOUNTED	EACH	1
		UNINTERRUPTIBLE POWER SUPPLY	EACH	1
		ELECTRIC CABLE IN CONDUIT, GROUND, NO. 6 1C (GREEN)	FOOT	545