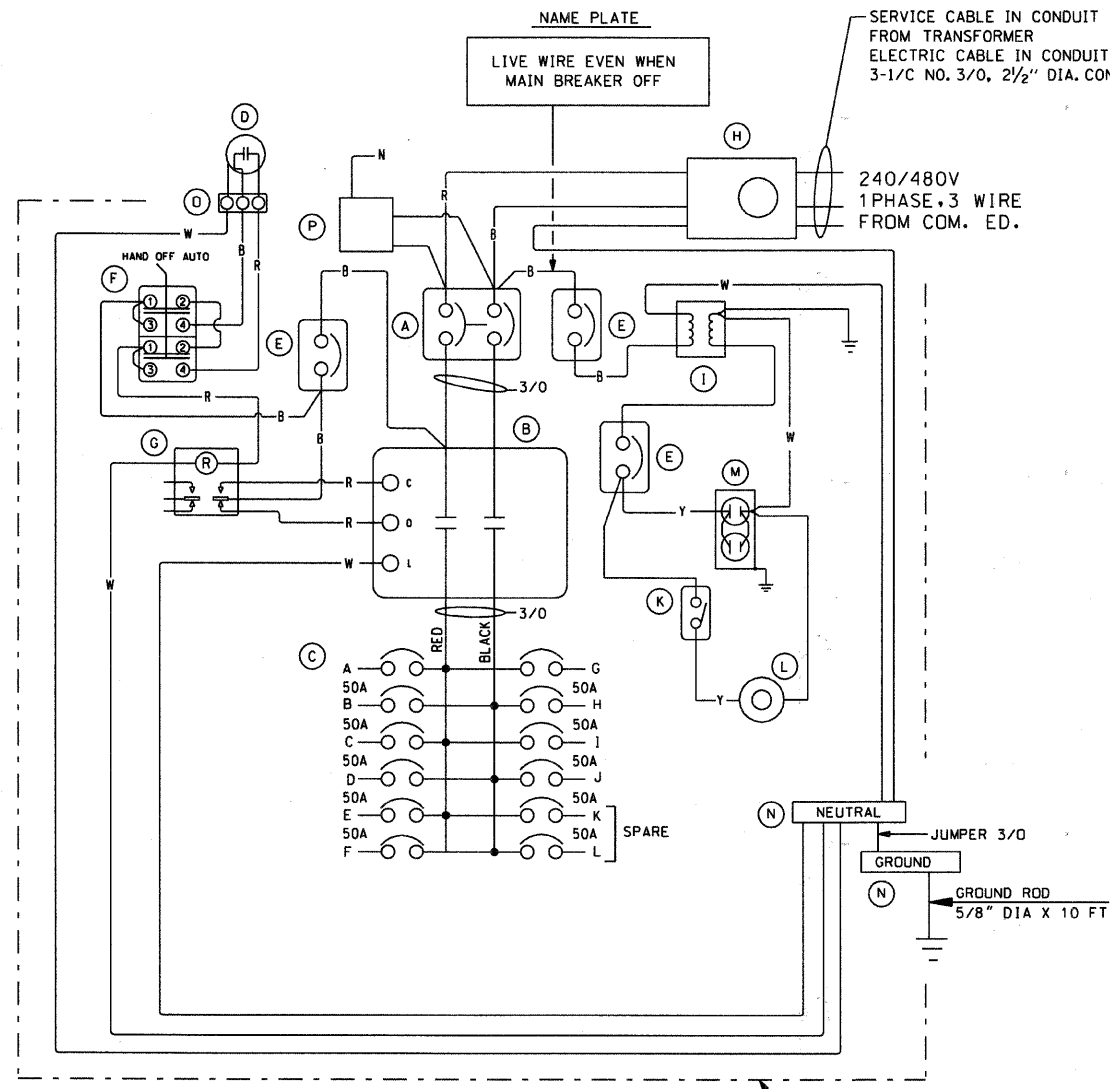


CONTROL CABINET - CONSOLE TYPE



PANEL WIRING
200 AMPERE- 240/480 VOLT, 1 PHASE-3 WIRE
PHOTOCELL CONTROL

DEVICE SCHEDULE		
ITEM	QUANT.	DESCRIPTION
(A)	1	CIRCUIT BREAKER, MOLDED CASE, THERMAL MAGNETIC, 2-POLE, 600V. A.C., 225A. FRAME, 200A. NON-INTERCHANGABLE TRIP, BOLT-ON TYPE; INTERRUPTING CAPACITY OF NOT LESS THAN 22,000 RMS SYMMETRICAL AMPERES AT 480V.
(B)	1	LIGHTING CONTACTOR (REMOTE CONTROL SWITCH) MECHANICALLY HELD, ASCO OR EQUAL 920, MOUNTED ON SUB PANEL 200A., 2P., 600V. WITH 240V. COIL.
(C)	1	PANELBOARD (INTERIOR ONLY) 480/240V. SINGLE PHASE WITH 200A. COPPER MAINS AND TWELVE IP-50A BOLT-ON BRANCH BREAKERS EACH RATED 277V. WITH INTERRUPTING CAPACITY OF NOT LESS THAN 14,000 RMS SYMMETRICAL AMPERES AT 277V.
(D)	1	PHOTOCELL MOUNTED IN CABINET OVERHANG-240 VOLT, CALIBRATED FOR A "TURN-ON" SETTING OF .05 TO 2.1 FC.
(E)	3	CIRCUIT BREAKER, MOLDED CASE, THERMAL MAGNETIC, 1-POLE, 277V., BOLT-ON TYPE, 15 AMP WITH AN INTERRUPTING RATING OF NOT LESS THAN 14,000 RMS SYMMETRICAL AMPERES AT 277V.
(F)	1	MANUAL-OFF-AUTO 3-POSITION SWITCH
(G)	1	CONTROL RELAY 240 VOLT COIL
(H)	1	SOCKET FOR ELECTRIC UTILITY CO. METER.
(I)	1	STEP DOWN TRANSFORMER 240x480/120x240V, 1.5KVA.
(J)		
(K)	1	MICRO SWITCH, 20A (MOUNT WITH ACTUATOR TO SWITCH WHEN DOOR OPENED)
(L)	1	60 WATT, 120V LIGHT FIXTURE, VAPORTIGHT, WITH GLOBE AND GUARD AND MOUNTING BOX.
(M)	1	GFI RECEPTACLE, 120V., 15A., PREMIUM SPEC. GRADE, NEMA REFERENCE 5-15R IN WEATHER-PROOF BOX WITH FLAP-TYPE COVER.
(N)	2	COPPER GROUND AND NEUTRAL BUS 1/4"x1"x12" MIN. SIZE WITH LUGS PLUS 4 SPARE LUGS.
(O)	1	SURGE ARRESTOR, 480/240 VOLT, 3 WIRE

NOTES

THE CABINET SHALL BE FABRICATED FROM 0.125" THICK ALUMINUM ALLOY SHEET AND SHALL BE REINFORCED WITH ALUMINUM ANGLES. THE CABINET DOOR SHALL BE NEMA TYPE 3 CONSTRUCTION WITH NEOPRENE GASKET. THE DOOR SHALL HAVE STAINLESS STEEL HINGES AND THREE POINT LOCKING SYSTEM.

THE CONTRACTOR SHALL REMOVE VEGETATION AND TOPSOIL, LEVEL THE AREA IN FRONT OF THE CONTROL CABINET DOOR AND PLACE LENGTH WISE, PARALLEL TO CONTROL CABINET, A PRECAST PAD, 48"x48"x4" MINIMUM SIZE. THE COST OF LABOR AND MATERIALS SHALL BE INCIDENTAL TO THE CONTROL CABINET.

CONTROL WIRE SHALL BE #12 AWG, 600V, TYPE "SIS" STRANDED COPPER GRAY SWITCH BOARD WIRE. THE ENDS OF ALL CONTROL WIRES SHALL BE IDENTIFIED.

ALL CONTROL CABINET ITEMS SHALL HAVE SUITABLE IDENTIFICATION. OPEN CIRCUIT BREAKERS, CONTACTORS AND OTHER OPEN DEVICES SHALL HAVE PERMANENT SELF STICKING TAGS. DEVICES IN ENCLOSURES SHALL HAVE ENGRAVED 2-COLOR LAMINATED PLASTIC NAMEPLATES ATTACHED TO ENCLOSURES WITH SCREWS. NAMEPLATES SHALL BE ENGRAVED TO CORRESPOND TO DESIGNATIONS ON THE DRAWINGS. INTERNAL CABINET WIRING SHALL BE IDENTIFIED AS INDICATED OR AS DIRECTED BY THE ENGINEER BY MEANS OF SELF-STICKING TAGS APPLIED AT EACH CONNECTED END. IDENTIFICATION SHALL BE MADE BY THE CABINET MANUFACTURE.

ALL WIRING WITHIN THE CABINET SHALL BE COLOR CODED AS INDICATED.
R = RED BL = BLUE W = WHITE
B = BLACK Y = YELLOW G = GREEN

PROVIDE SEALING GROMMETS FOR ALL OPEN WIRING EXTENDED FROM DEVICES IN BOXES OR CABINETS WITHIN THE CONTROL CABINET.

ALL 120 VOLT SYSTEM CONTROL WIRING SHALL BE #12 AWG STRANDED UNLESS OTHERWISE INDICATED.

THE CABINET SHALL BE PRIMED AND PAINTED IN GREEN COLOR.

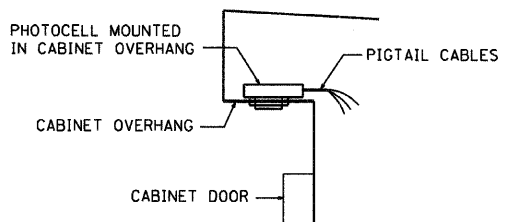
THE HEADS OF CONNECTOR SCREWS SHALL BE PAINTED WHITE FOR NEUTRAL BUSS CONNECTION AND GREEN FOR GROUND BUSS CONNECTORS.

PROVIDE SEALING GROMMETS FOR ALL OPEN WIRING EXTENDED FROM DEVICES IN BOXES WITHIN THE CONTROL CABINET.

ALL WIRING SHALL BE NEATLY DRESSED AND SUPPORTED.

THE CONTROLLER SHALL BE CONSTRUCTED TO U.L. STD. 508 AND BEAR THE U.L. LABEL "ENCLOSED INDUSTRIAL CONTROL PANEL".

PROVIDE A HOLDER AND WATERPROOF POUCH ON THE INNER SIDE OF THE CONTROLLER DOOR. THE HOLDER AND POUCH SHALL BE MOUNTED SO THAT RAIN WATER OR CONDENSED WATER CANNOT ENTER THE POUCH WITH THE CABINET DOOR OPEN. FURNISH THE APPROVED COPY OF THE "CONTROL CABINET WIRING DIAGRAM".



PHOTOCELL IN CABINET OVERHANG DETAIL
NOT TO SCALE

ALL POWER WIRING SHALL BE RHH RHW
ALL CONTROL WIRING SHALL BE #12 MTW

BL = BLUE
W = WHITE
B = BLACK
R = RED
Y = YELLOW



Sunjoy Inc.
Area Lighting
Consulting Engineers
212 TIMBERCREST DRIVE
SCHAUMBURG, ILLINOIS
60193-1572

REVISIONS	
NAME	DATE

VILLAGE OF SCHAUMBURG, ILLINOIS
DEPARTMENT OF ENGINEERING AND PUBLIC WORKS
IL ROUTE 58 (GOLF ROAD) LIGHTING IMPROVEMENTS
BASSWOOD ROAD TO I-290 UNDERPASS
LIGHTING CONTROLLER, SPECIAL
200 AMP, 240/480 VOLT, 1 PHASE, 3 WIRE
WITH PHOTOCELL CONTROL
SCALE-NONE
DATE: 10-05-09
DRAWN BY: HKO
CHECKED BY: JS