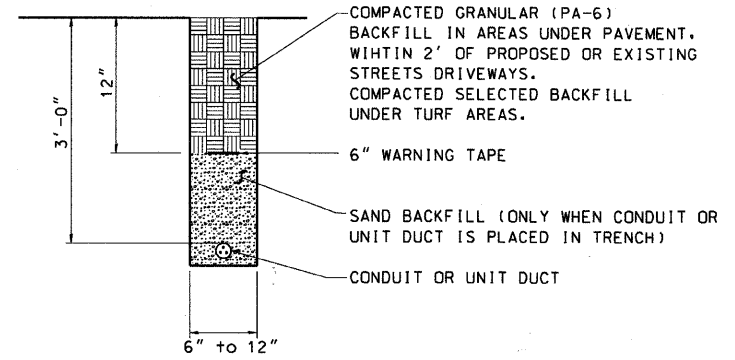


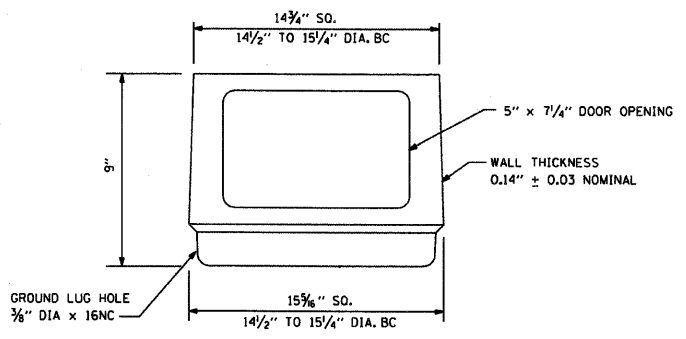
**SPLICING ELECTRIC CABLE**

**CIRCUIT CABLE:**  
 ALL ELECTRIC CABLE SHALL BE 600 V (XLP-TYPE USE), FULLY PIGMENTED COLOR CODED. COLOR CODE SHALL BE:  
 BLACK/RED PHASE WIRE  
 WHITE NEUTRAL WIRE  
 GREEN GROUND WIRE

NOTE: NUMBER OF CABLES IN SPLICE MAY VARY

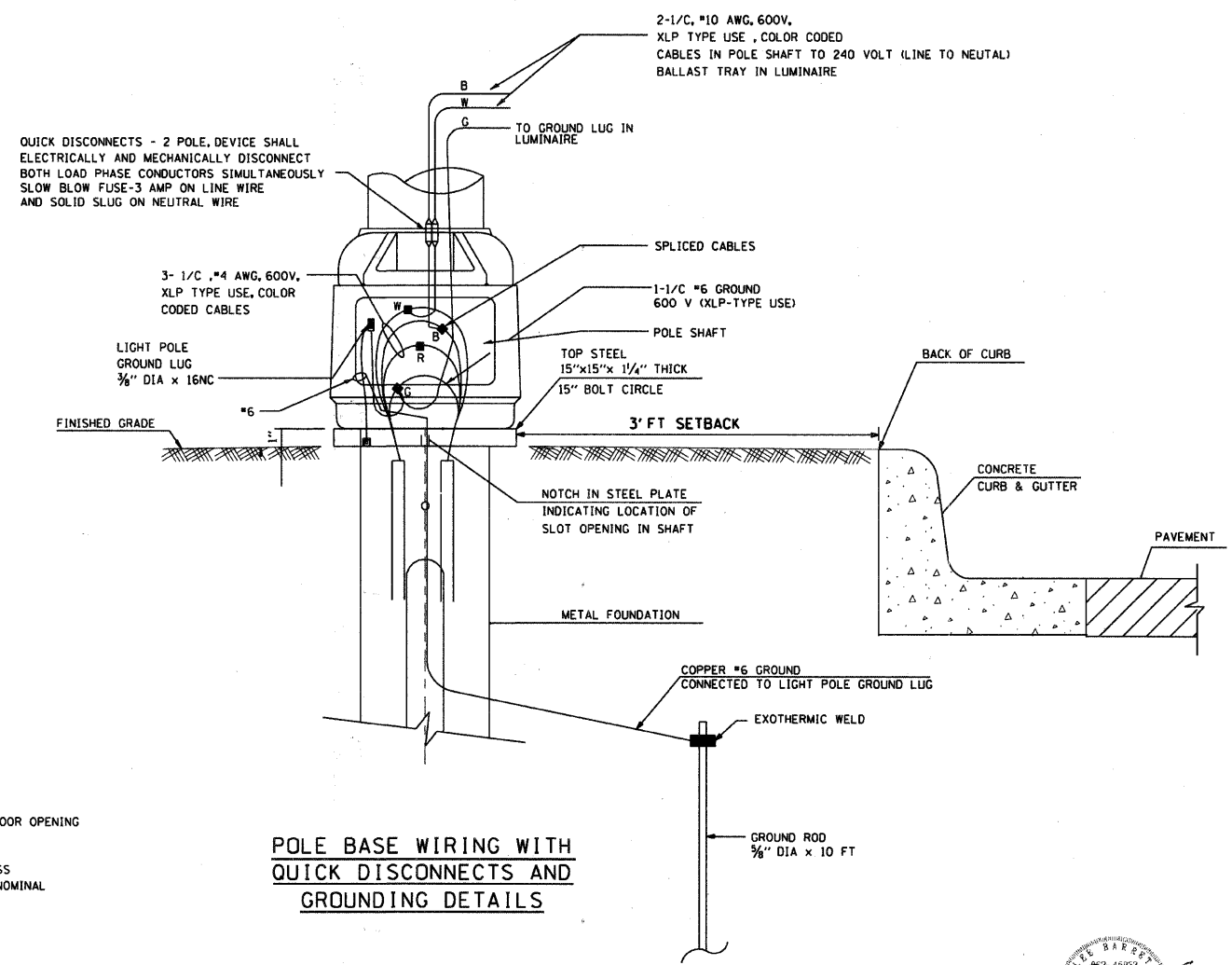


**TRENCH AND BACKFILL**



**BREAKWAY TRANSFORMER DETAILS**

**NOTE:**  
 MATERIAL SHALL CONFORM TO ASTM DESIGNATION: B108 ALLOY 356-T6  
 BASE CONFORMS TO BREAKAWAY CRITERIA OF AASHTO STANDARD SPECIFICATIONS FOR STRUCTURAL SUPPORTS FOR HIGHWAY SIGNS, LUMINAIRES AND TRAFFIC SIGNALS (1985)



**POLE BASE WIRING WITH QUICK DISCONNECTS AND GROUNDING DETAILS**

3/7/2011

C:\SUNJOY\Projects\Village of Schaumburg\Golf Road\elec\etl\_2.dgn

THIS DRAWING IS THE EXCLUSIVE PROPERTY OF SUNJOY INC. AND IS PROVIDED ONLY FOR THE PROJECT LISTED ON THIS DRAWING. THIS DRAWING SHALL NOT BE DUPLICATED, USED OR DISCLOSED, IN WHOLE OR IN PART, FOR ANY PURPOSE WHATSOEVER WITHOUT THE WRITTEN PERMISSION OF SUNJOY INC.

**Sunjoy Inc.**  
 Area Lighting  
 Consulting Engineers  
 212 TIMBERCREST DRIVE  
 SCHAMBURG, ILLINOIS  
 60193-1572

REVISIONS	
NAME	DATE

VILLAGE OF SCHAMBURG, ILLINOIS  
 DEPARTMENT OF ENGINEERING AND PUBLIC WORKS  
 IL ROUTE 58 (GOLF ROAD) LIGHTING IMPROVEMENTS  
**BASSWOOD ROAD TO I-290 UNDERPASS**  
**ELECTRICAL DETAILS**

SCALE: NONE  
 DATE: 10-05-09

DRAWN BY: HKQ  
 CHECKED BY: JS

