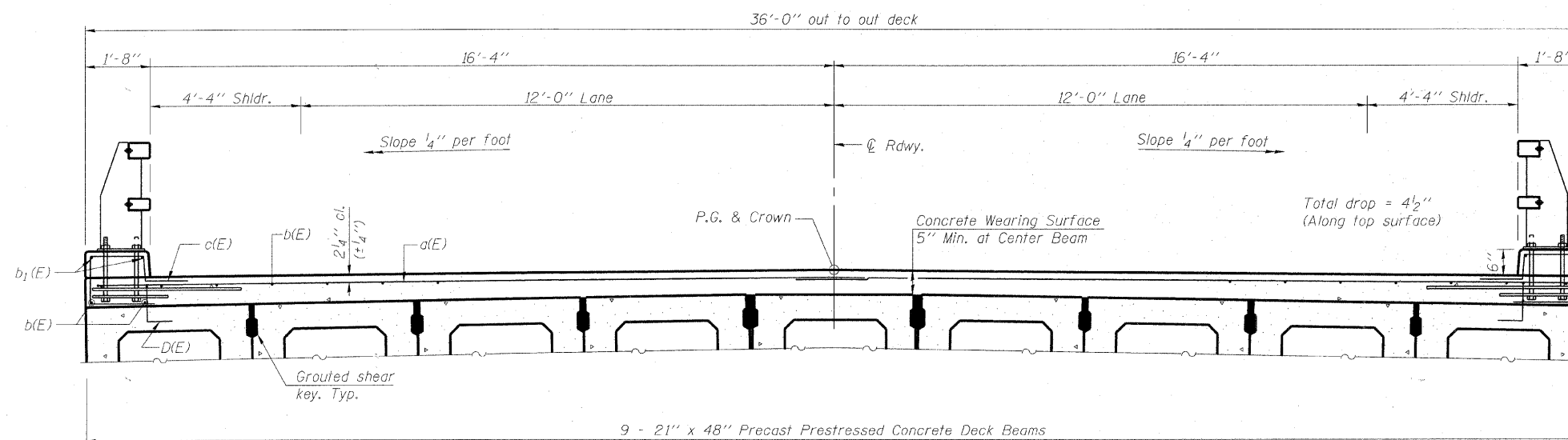
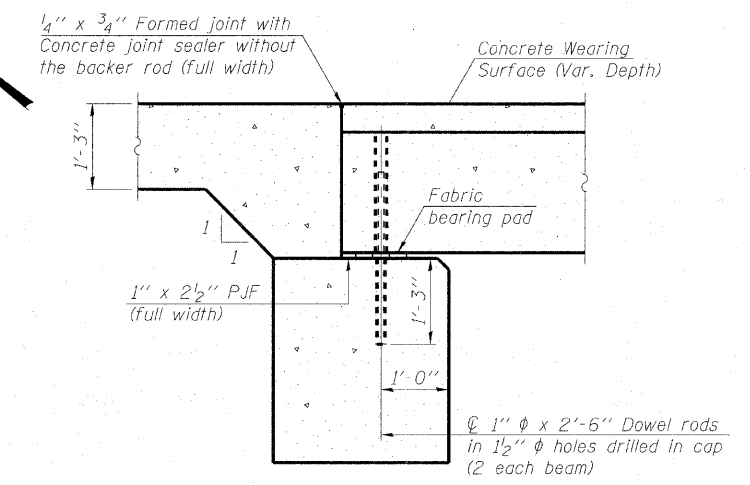


PLAN
(Symmetrical about C Rdwy. & Structure)



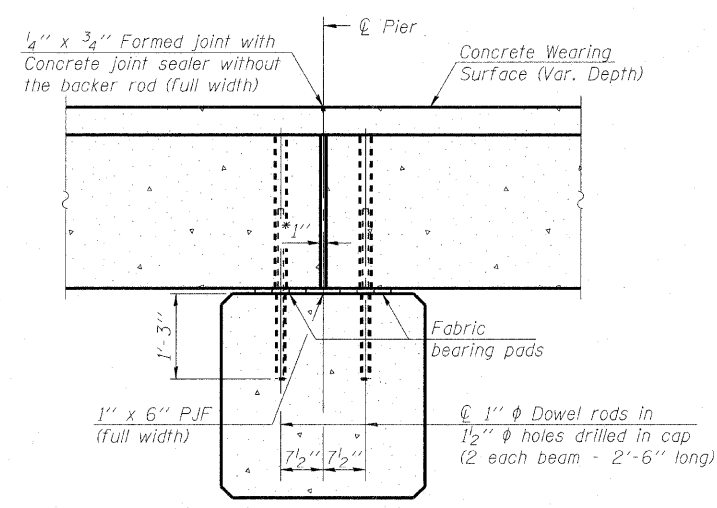
CROSS SECTION
(Looking South)

Notes:
See sheet 6 of 19 for Superstructure Details and Bill of Material.
Bars indicated thus 20 x 2-#4 etc. indicates 20 lines of bars with 2 lengths per line.
Concrete in Curb shall be paid for as Concrete Superstructure.



SECTION A-A
(Dimensions are at Rt. L's)

Notes:
All concrete wearing surfaces shall be placed prior to casting approach slab.
See sheet 4 of 19 for fabric bearing pad details.



SECTION B-B
(Dimensions are at Rt. L's)

*1" Jt. shall be filled with non-shrink grout. 1" dimension may vary to accommodate tolerance in beam lengths.

MINIMUM BAR LAP

#4 bar = 2'-7"
#5 bar = 3'-3"

COPYRIGHT © 2010 BY BAYTES & WOODMAN, INC.
 ALL RIGHTS RESERVED. EXPIRES 4/30/2011.
 LICENSE NO. 184-00020
 2777201

FILE NAME =	USER NAME =	DESIGNED - BLB	REVISED - PER MCDOT 12/31/10	MCHENRY COUNTY DIVISION OF TRANSPORTATION GRAF ROAD BRIDGE OVER LAWRENCE CREEK	SUPERSTRUCTURE STRUCTURE NO. 056-3182	TR	SECTION	COUNTY	TOTAL SHEETS	SHEET NO.	
		CHECKED - BLB	REVISED -			0037	06-00322-00-BR	MCHENRY	54	28	
PLOT SCALE =		DRAWN - BCD	REVISED -			C-91-358-06 CONTRACT NO. 63569					
PLOT DATE =		CHECKED -	REVISED -			SHEET NO. 5 OF 19 SHEETS FED. ROAD DIST. NO. 1 ILLINOIS FED. AID PROJECT BR05-00D(683)					