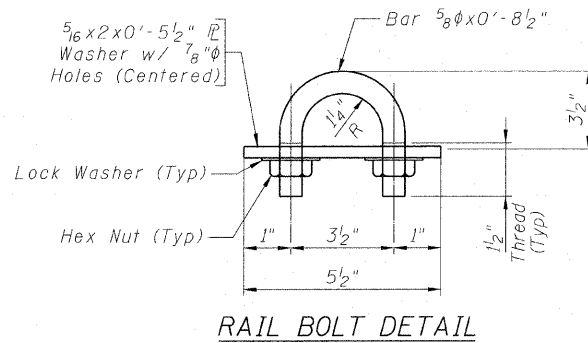
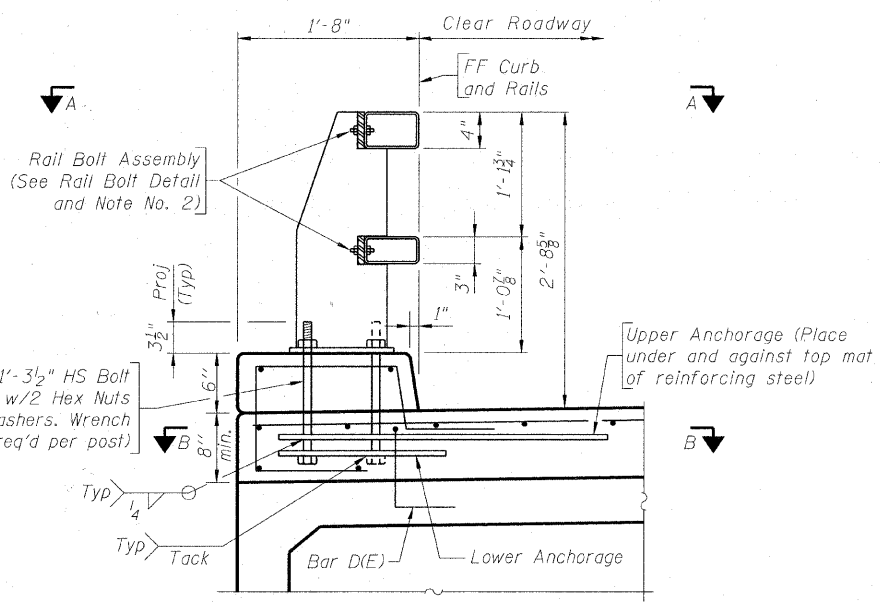


POST DETAILS

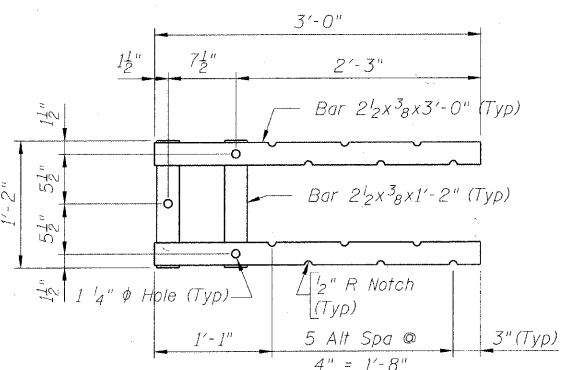
(See View A-A for anchor bolt hole spacing)



RAIL BOLT DETAIL

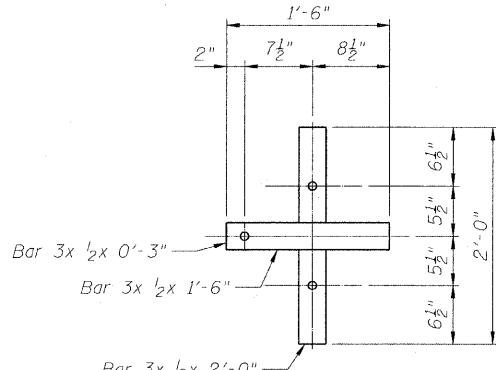


ASSEMBLY DETAIL
(Shown near ϕ Post)
(Bridge slab shown, approach slab similar)



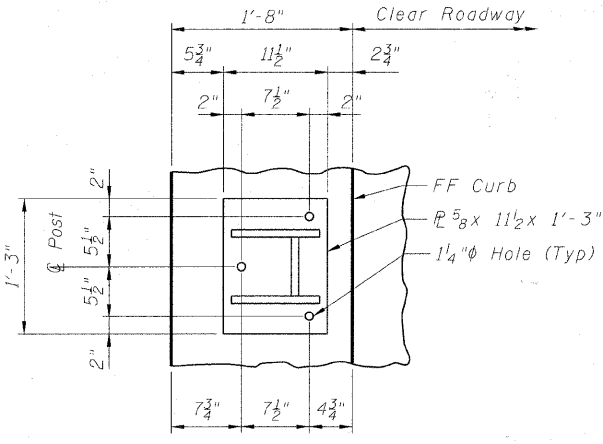
SECTION B-B

(Showing upper anchorage)
(Anchor Bolts and slab not shown)



SECTION B-B

(Showing lower anchorage)
(Anchor Bolts and slab not shown)



VIEW A-A

(anchor bolts, rails and rail bolts not shown)

- Note:
- 1) Anchor bolts may be tack welded to lower anchorage (Shop or field).
 - 2) At post locations, drill two 1 1/8" ϕ holes in the rails to receive rails bolts (Shop or field). See Post Details for hole spacing
 - 3) Before installing rails, paint all cut, drilled or otherwise damaged surface areas of the railing components with two coats of zinc rich paint conforming to the requirements of ASTM A 780
 - 4) After installing the rails, paint all exposed bolt threads with two coats of zinc rich paint conforming to the requirements of ASTM A 780.
 - 5) Steel components shall be galvanized according to AASHTO M111, unless noted otherwise.
 - 6) Shim Plates shall be provided in accordance with Article 509.05(a) of the Standard Specifications.

BILL OF MATERIAL

Item	Unit	Total
Steel Railing (Special)	Foot	255

COPYRIGHT © 2000 BY BAXTER & WOODMAN, INC.
 ALL RIGHTS RESERVED. REPRODUCTION OR TRANSMISSION IN ANY FORM OR BY ANY MEANS, WITHOUT PERMISSION IN WRITING IS PROHIBITED.
 LICENSE NO. 184-00193 - EXPRESS 4/10/2001
 15-Mechanical-DWG-012924 - Graf Road Bridge Railing Details.dwg
 2/17/2001

FILE NAME =	USER NAME =	DESIGNED - BLB	REVISED - PER MCDOT 12/31/10	MCHENRY COUNTY DIVISION OF TRANSPORTATION GRAF ROAD BRIDGE OVER LAWRENCE CREEK	WYOMING 2-TUBE BRIDGE RAILING DETAILS STRUCTURE NO. 056-3182	TR	SECTION	COUNTY	TOTAL	SHEET
		CHECKED - BAB	REVISED -			0037	06-00322-00-BR	MCHENRY	54	34
		DRAWN - BCD	REVISED -				C-91-358-06			CONTRACT NO. 63569
		CHECKED - BLB	REVISED -							FED. ROAD DIST. NO. 1 ILLINOIS FED. AID PROJECT BR05-001(683)

(Sheet 1 of 2)

SHEET NO. 11 OF 19 SHEETS