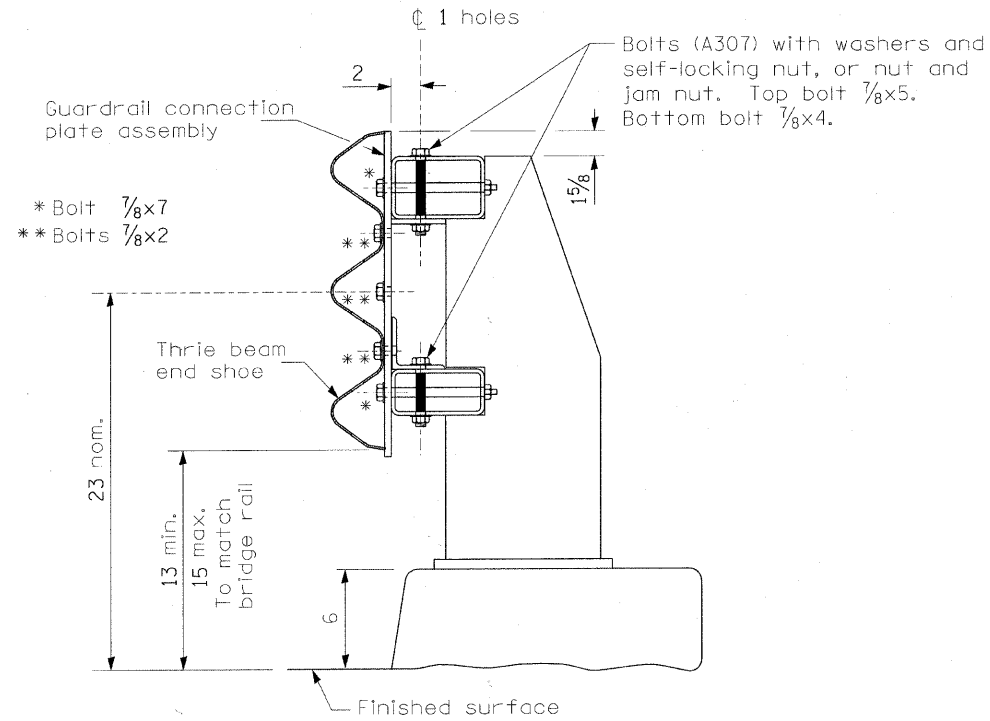
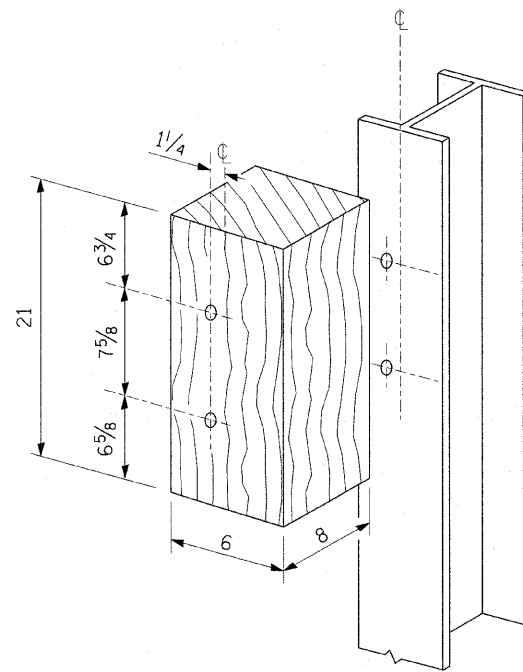


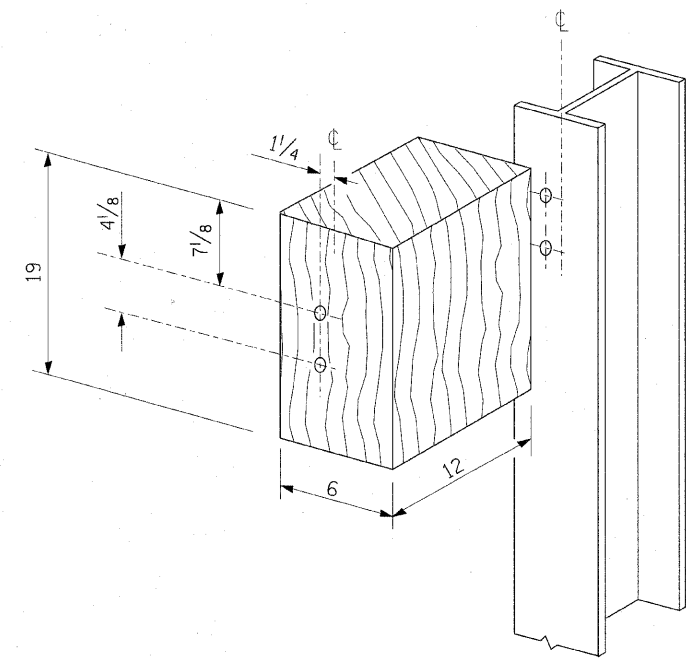
MCHENRY COUNTY
DIVISION OF TRANSPORTATION



SECTION C-C

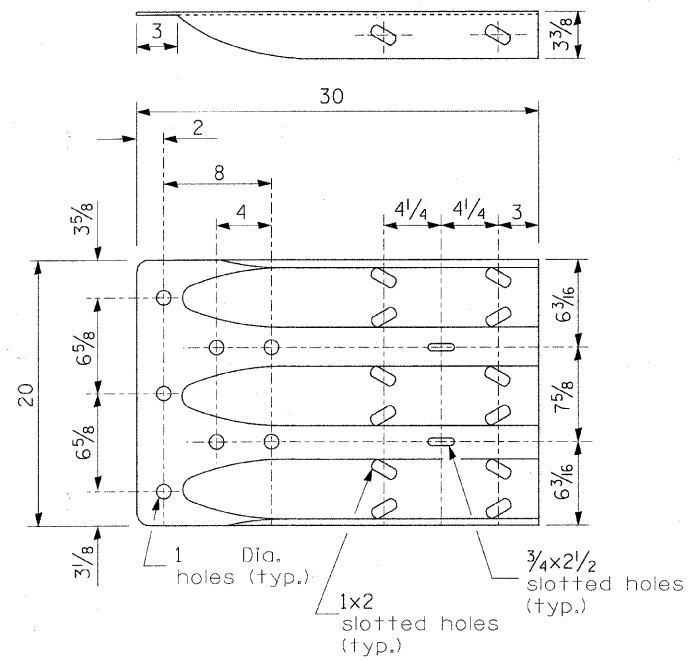


POSTS 1-11 WOOD BLOCKOUT DETAIL

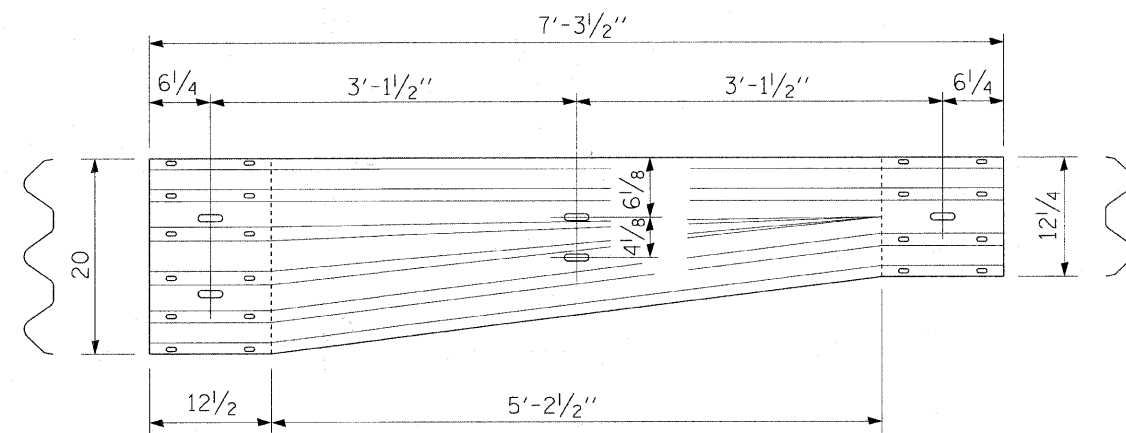


POST 12 WOOD BLOCKOUT DETAIL

(See Standard 630001 for post 13-17 blockouts.)



MODIFIED THRIE BEAM END SHOE DETAIL



TRANSITION SECTION

(10 gauge rail element)

TRAFFIC BARRIER TERMINA;
TYPE 6A (SPECIAL)
STRUCTURE NO. 056-3182

DESIGNED	BLB
CHECKED	AS
DRAWN	BCD
CHECKED	BLB

SHEET NO. 2 3 SHEETS	TR RTE.	SECTION	COUNTY	TOTAL SHEETS	SHEET NO.
	0037	06-00322-00-BR	MCHENRY	54	45
C-91-358-06			CONTRACT NO. 63569		
FED. ROAD DIST. NO. 1 ILLINOIS FED. AID PROJECT BROS-00D1(683)					

COPYRIGHT © 2006 BY BAXTER & WOODMAN, INC.
 1500 S. W. 10TH AVENUE, SUITE 100, MIAMI, FL 33135
 PHONE: (305) 444-0000 FAX: (305) 444-0001
 E-MAIL: SALES@BAXTERWOODMAN.COM
 BAXTER & WOODMAN, INC. IS AN EQUAL OPPORTUNITY EMPLOYER