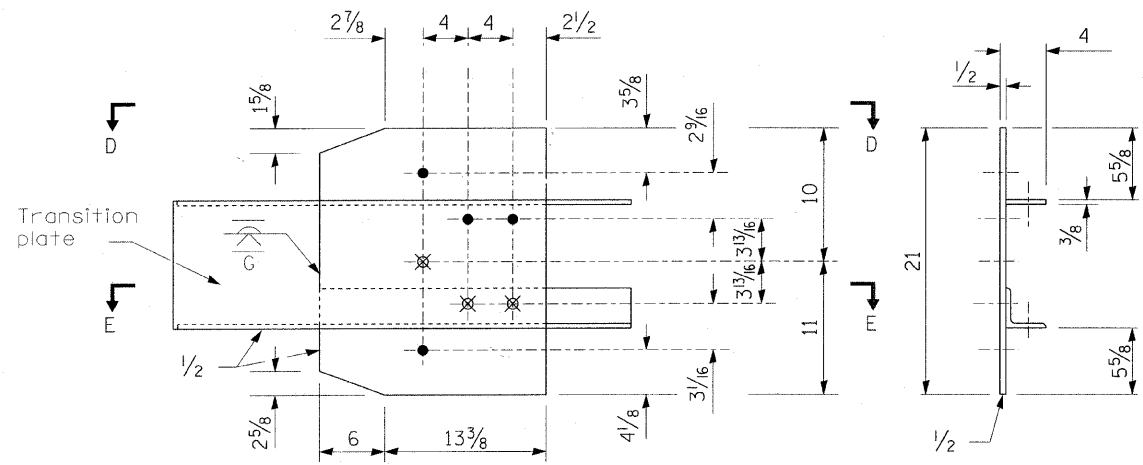


MCHENRY COUNTY
DIVISION OF TRANSPORTATION

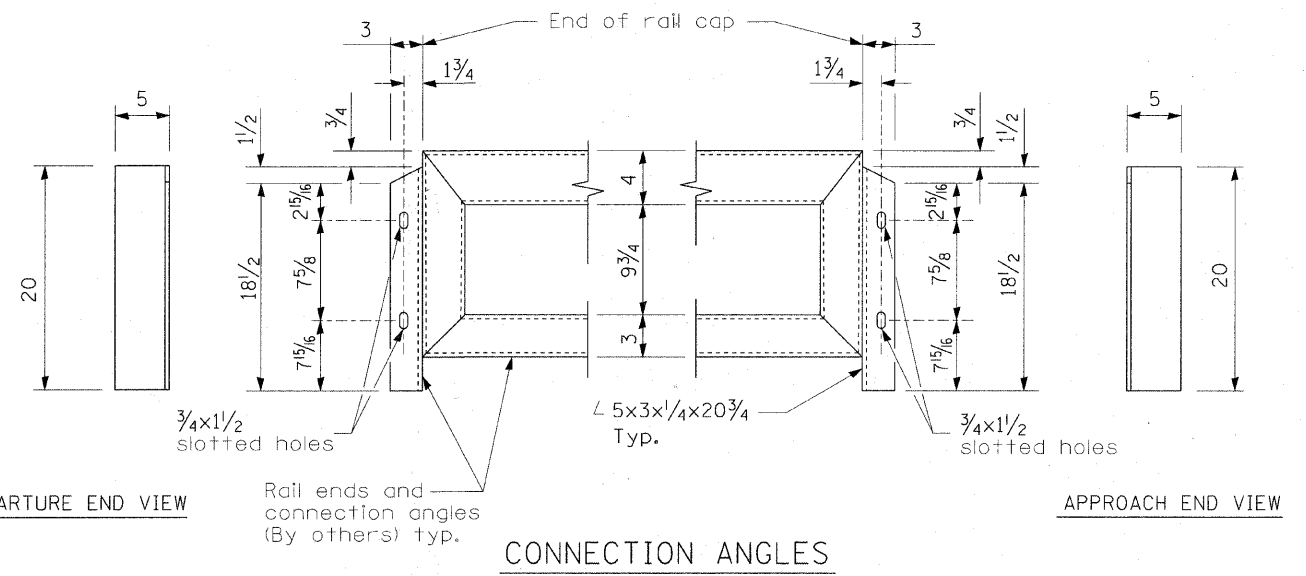
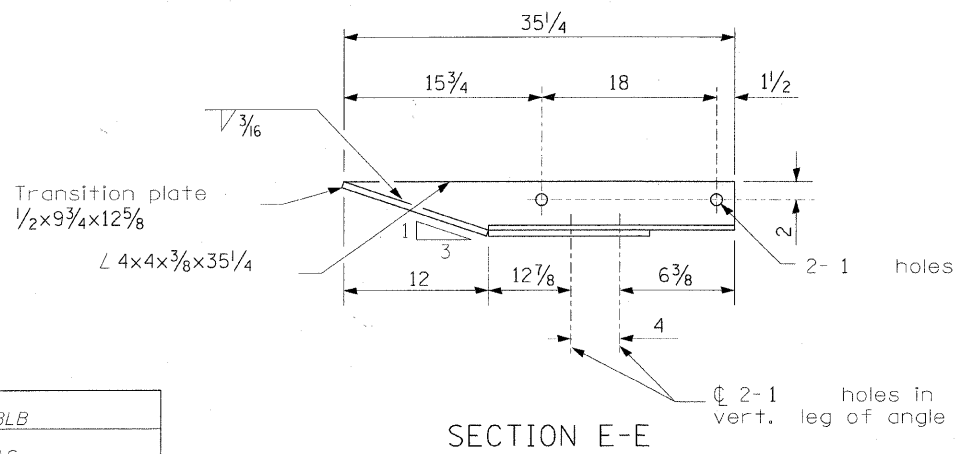
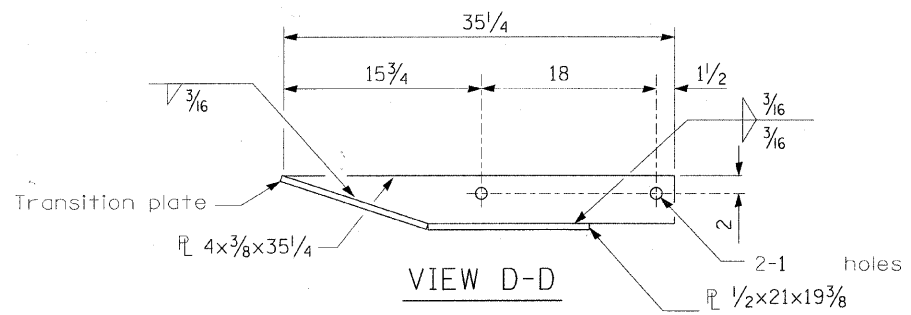


- 4-1 holes for 7/8 H.S. bolts and nuts
- ⊗ Drill and tap 3 holes for 7/8 H.S. bolts.

LEGEND

GUARDRAIL CONNECTION PLATE ASSEMBLY DETAILS

(Mirror for opposite end)



DESIGNED	BLB
CHECKED	AS
DRAWN	BCD
CHECKED	BLB

TRAFFIC BARRIER TERMINAL
TYPE 6A (SPECIAL)
STRUCTURE NO. 056-3182

SHEET NO. 3 3 SHEETS	TR RTE.	SECTION	COUNTY	TOTAL SHEETS	SHEET NO.
	0037	06-00322-00-BR	MCHENRY	54	46
	C-91-358-06		CONTRACT NO. 63569		
FED. ROAD DIST. NO. 1		ILLINOIS	FED. AID PROJECT BRS-00D1(683)		

COPYRIGHT © 2009 BY BAXTER & WOODMAN, INC.
 ALL RIGHTS RESERVED. NO PART OF THIS PUBLICATION MAY BE REPRODUCED OR TRANSMITTED IN ANY FORM OR BY ANY MEANS, ELECTRONIC OR MECHANICAL, INCLUDING PHOTOCOPYING, RECORDING, OR BY ANY INFORMATION STORAGE AND RETRIEVAL SYSTEM.
 LICENSE NO. 184-001021 EXPIRES 4/30/2011
 5500 W. WISCONSIN ST., SUITE 100, OAK RIDGE, IL 62450
 618-242-2200 FAX 618-242-2201