

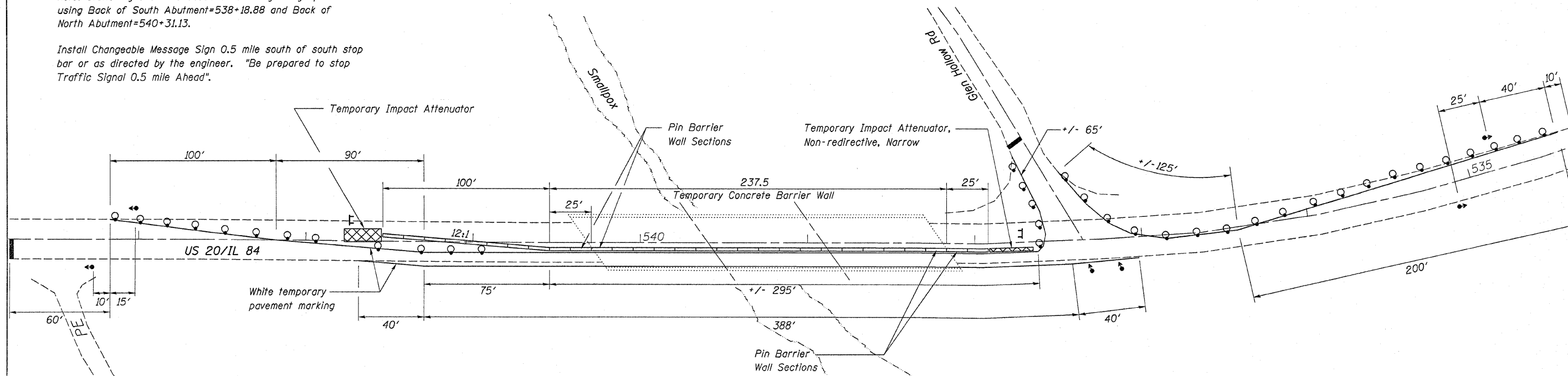
Traffic Control Plan STAGE I

Refer to Standard 701321 for additional signs, details & devices

Notes:

Note: Stationing shown is based on existing bridge plans using Back of South Abutment=538+18.88 and Back of North Abutment=540+31.13.

Install Changeable Message Sign 0.5 mile south of south stop bar or as directed by the engineer. "Be prepared to stop Traffic Signal 0.5 mile Ahead".



Temporary Pavement Marking Line 4"	
Stage I	Feet
Right Edgeline	40
	388
	40

Left Edgeline	100
	90
	75
	295
	65
	125
	200

Stage II	180
Right Edgeline	315
	50
	115

Left Edgeline	40
	315
	30

Total	2,463 Feet

Temporary Pavement Marking Line 24"	
Stop Bars	Feet
US 20 EB	12
US 20 WB	12
Glen Hollow Rd	12

Total	36 Feet

Temporary Concrete Barrier	
Stage I	Feet
North Taper	100
Bridge Tangent	237.5
South Taper	25

Stage II	50
Add'l qty. needed	50

Total	412.5 Feet

Temporary Rumble Strips	
North	3
South	3

Total	6 Each

Temporary Impact Attenuator	
Stage I	Each
	2

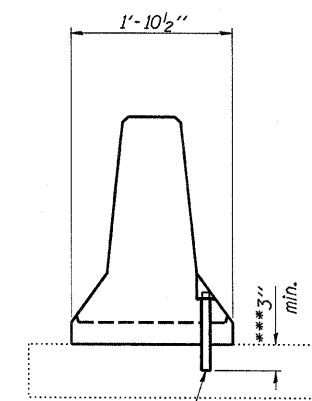
Total	2 Each

Pavement Marking Removal	
	Sq Ft
Stage I Edgeline	160
Stage II Edgeline	120

Total	280 Sq Ft

Temporary Bridge Traffic Signals	
Stage I & II	1

Total	1 Each



Drill 3-1 1/4" ϕ Holes in existing slab for 1" ϕ x 11" dowel bars. Traffic side only. Cost included with Temporary Concrete Barrier.

EXISTING SLAB