

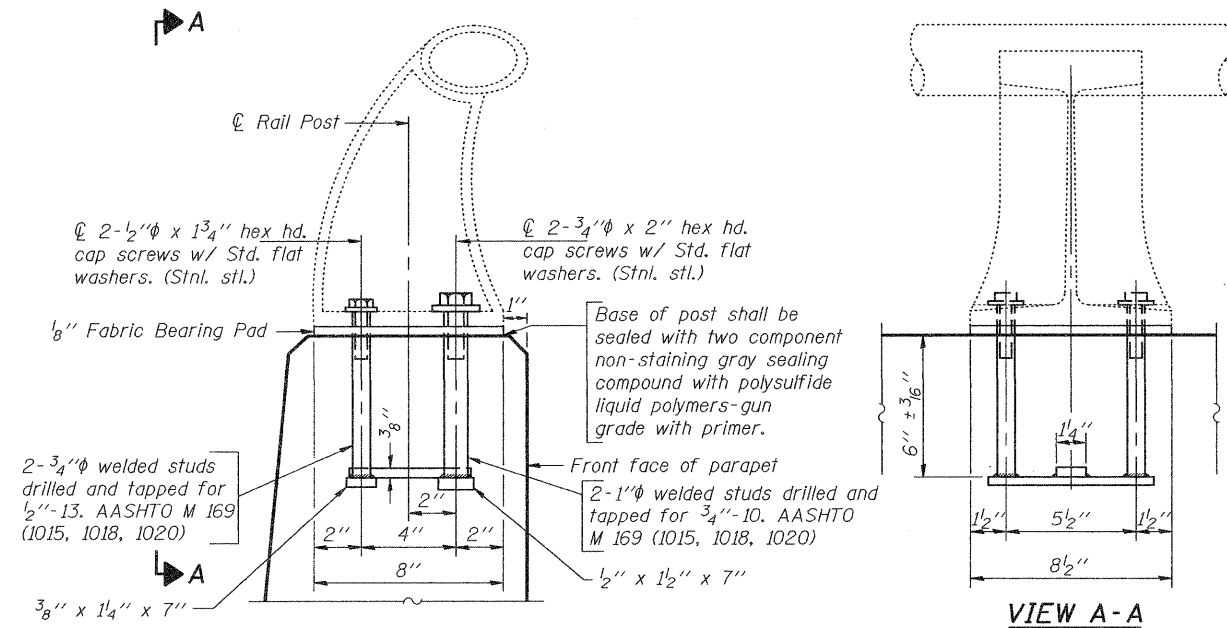
**CROSS-SECTION AND STAGE CONSTRUCTION DETAILS**

(Looking North)

\* Attach to existing reinforcement with mechanical splicers. Existing reinforcement to extend 6" into the removal area to allow attachment of the mechanical splicers.

**Note:**

In lieu of the cast-in-place anchor device shown, the Contractor has the option of drilling and setting stainless steel anchor rods of the same diameter and grade as the specified cap screws according to Article 509.06 of the Standard Specifications. Embedment shall be according to the manufacturer's specifications.



**RAIL POST ANCHOR DETAIL**

**VIEW A-A**

DESIGNED	GGE
CHECKED	ADY
DRAWN	Kyle M. Steffen
CHECKED	GGE ADY

EXAMINED	<i>James F. [Signature]</i>	DATE	JANUARY 13, 2011
PASSED	<i>Carl [Signature]</i>		

**STATE OF ILLINOIS  
DEPARTMENT OF TRANSPORTATION**

**CROSS-SECTION & STAGE CONSTRUCTION DETAILS  
SN 043-0035**

SHEET NO. 2 OF 10 SHEETS

F.A.P. RTE.	SECTION	COUNTY	TOTAL SHEETS	SHEET NO.
301	(298-1M-1)	JoDAVIESS	17	9
CONTRACT NO. 64G81				

ILLINOIS FED. AID PROJECT