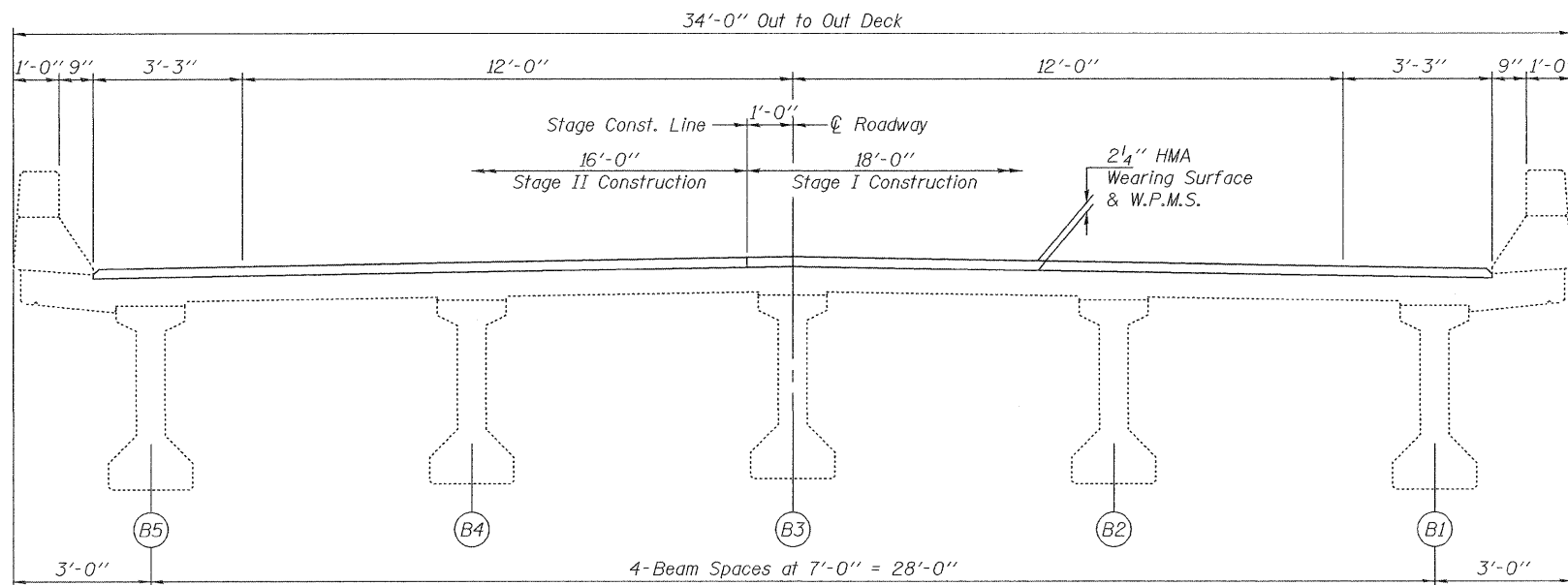
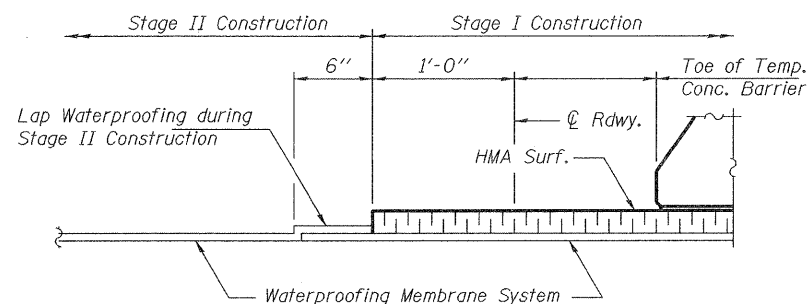


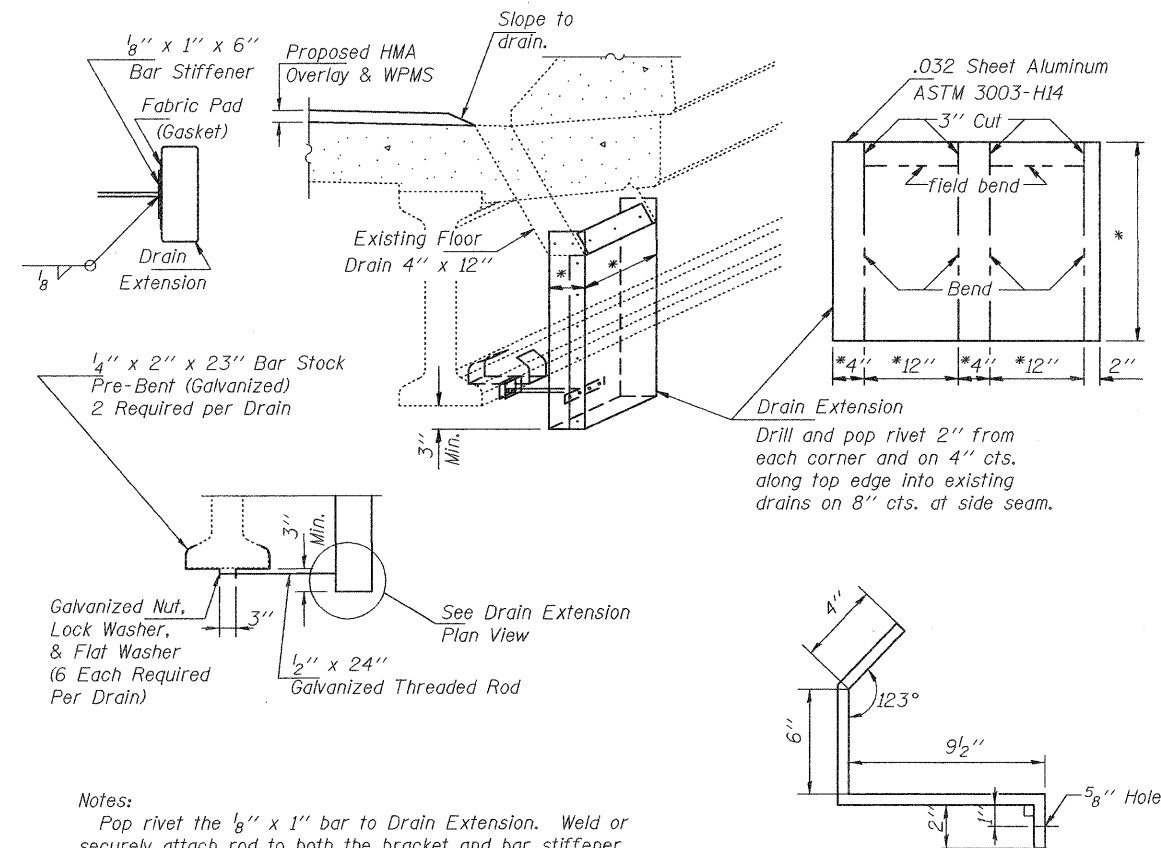
CROSS-SECTION SHOWING H.M.A. REMOVAL
(Looking North)



CROSS-SECTION SHOWING NEW WEARING SURFACE
(Looking North)



WATERPROOFING TREATMENT AT STAGE CONSTRUCTION

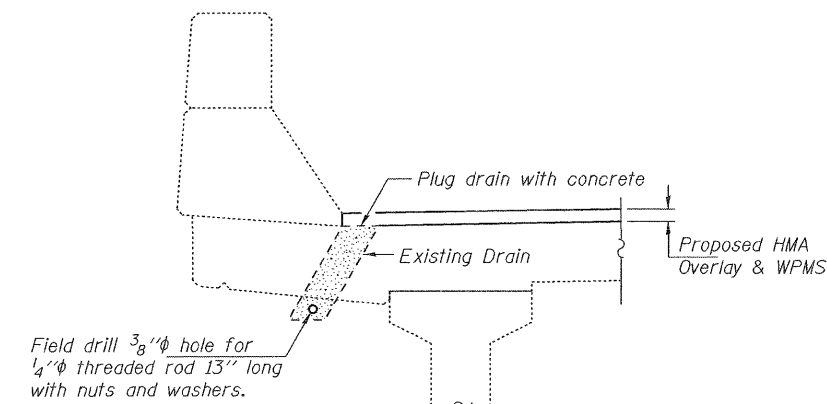


Notes:
Pop rivet the 1/8" x 1" bar to Drain Extension. Weld or securely attach rod to both the bracket and bar stiffener. Use 3/16" stainless steel pop rivets of sufficient length. An aluminum extrusion drain extension of similar dimensions may be substituted.

BRACKET DETAILS

DRAIN EXTENSION DETAILS

* Field measure cut to fit existing drain.



DRAIN ELIMINATION DETAIL

DESIGNED GGE
CHECKED ADY
DRAWN Kyle M. Steffen
CHECKED GGE ADY

EXAMINED *Jaime F. J. [Signature]*
PASSED *Carl [Signature]*
ACTING ENGINEER OF STRUCTURAL SERVICES
ACTING ENGINEER OF BRIDGES AND STRUCTURES

DATE JANUARY 13, 2011

STATE OF ILLINOIS
DEPARTMENT OF TRANSPORTATION

WEARING SURFACE REMOVAL & REPLACEMENT AND
DRAIN EXTENSION & ELIMINATION DETAILS SN 043-0035

SHEET NO. 6 OF 10 SHEETS

F.A.P. RTE. 301	SECTION (29B-1M-1)	COUNTY JoDAVIESS	TOTAL SHEETS 17	SHEET NO. 13
CONTRACT NO. 64G81				
ILLINOIS FED. AID PROJECT				