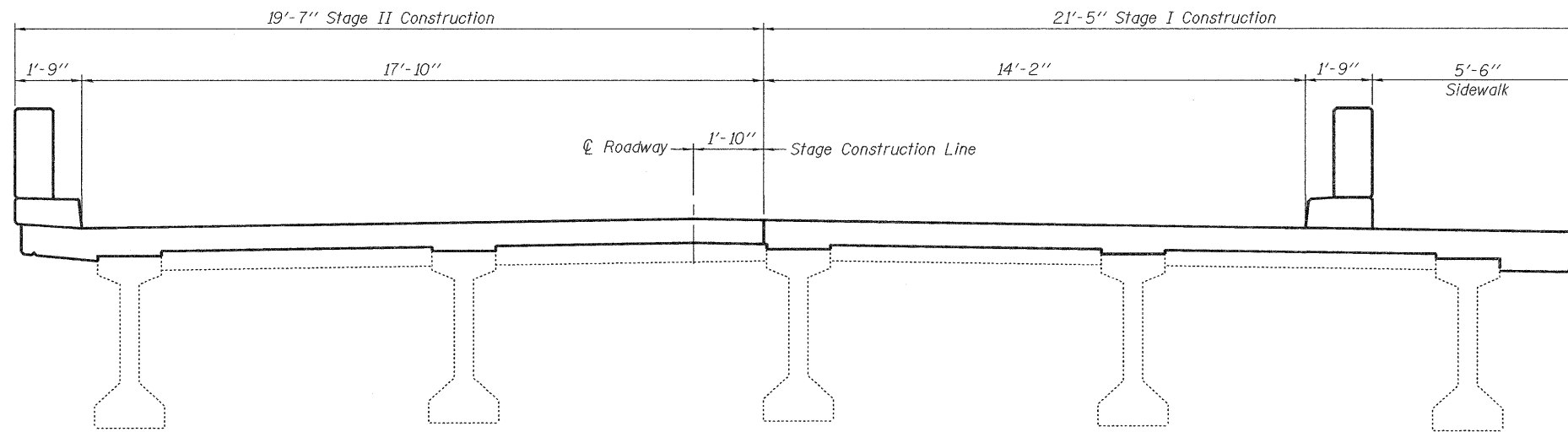


STAGE REMOVAL CROSS SECTION

(At Pier 1 Looking West)

Note:
 Hatched areas indicate removal.
 The contractor shall use extreme care
 during concrete removal so as not to damage
 the PPC-I beams.



STAGE CONSTRUCTION CROSS SECTION

(At Pier 1 Looking West)

DESIGNED - ATH
 CHECKED - VHV
 DRAWN - **Drew Christopher**
 CHECKED - ATH VHV

EXAMINED
Joanne F. J...
 ACTING ENGINEER OF STRUCTURAL SERVICES
 PASSED
Carl...
 ACTING ENGINEER OF BRIDGES AND STRUCTURES
 DATE - MARCH 21, 2011

STATE OF ILLINOIS
DEPARTMENT OF TRANSPORTATION

STAGING DETAILS
SN 043-0043
 SHEET NO. 2 OF 8 SHEETS

F.A.P. RTE.	SECTION	COUNTY	TOTAL SHEETS	SHEET NO.
301	102VBR-M	JODAVIESS	22	26
CONTRACT NO. 84582			ILLINOIS FED. AID PROJECT	