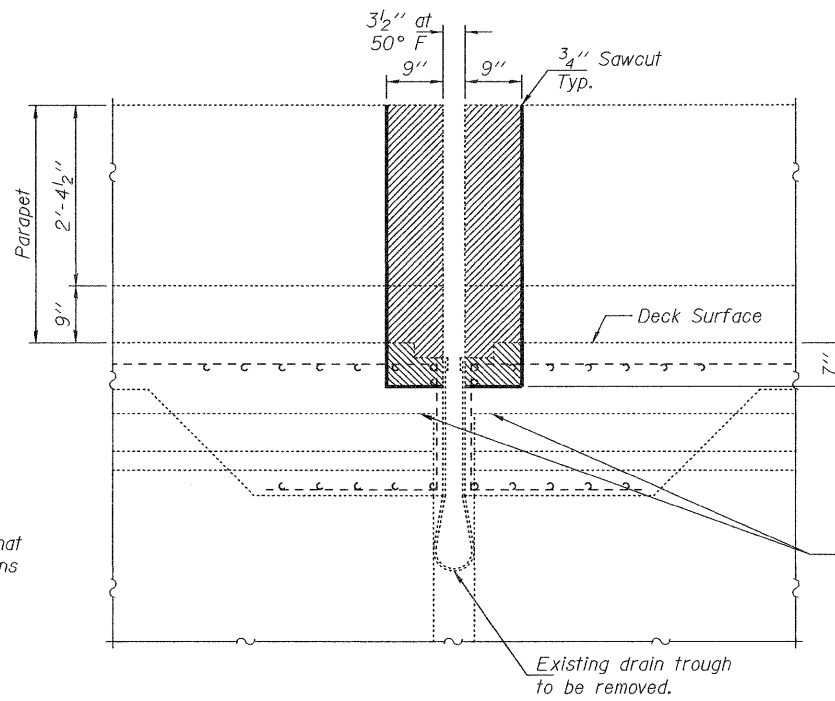
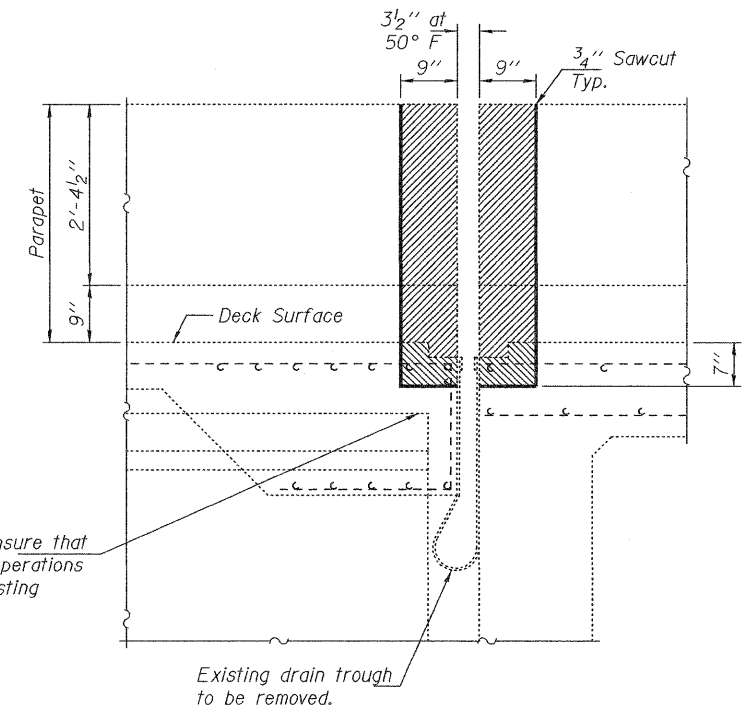


**REMOVAL SECTION AT PIER 1**  
(Looking South)



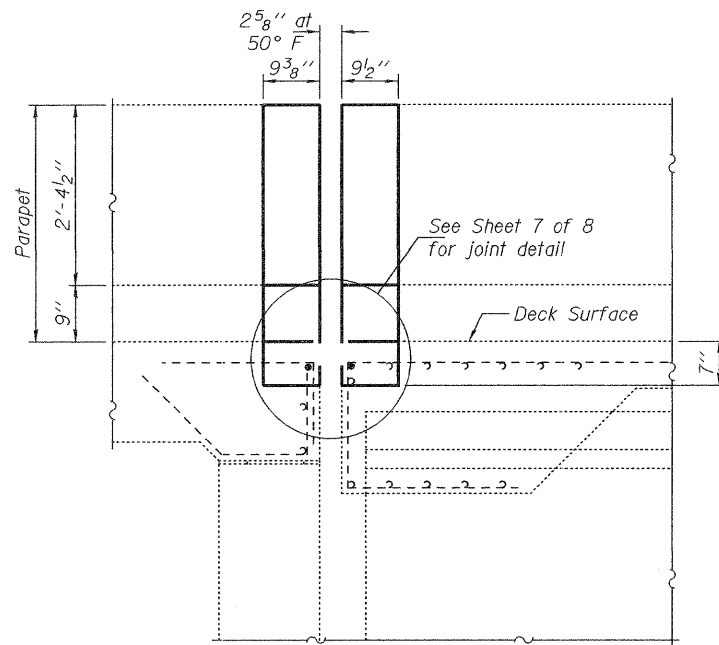
**REMOVAL SECTION AT PIER 5**  
(Looking South)



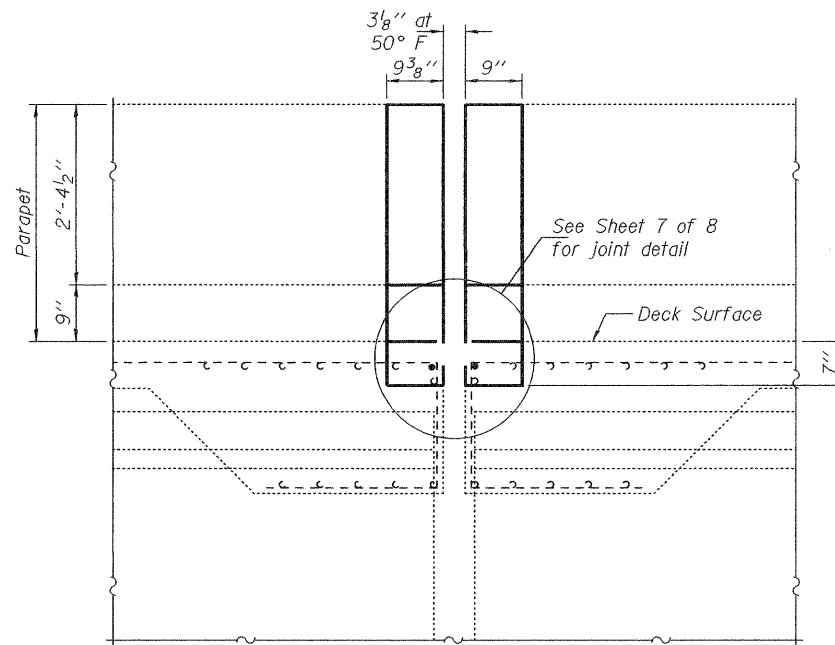
**REMOVAL SECTION AT WEST ABUTMENT**  
(Looking South)

Hatched areas indicate removal.

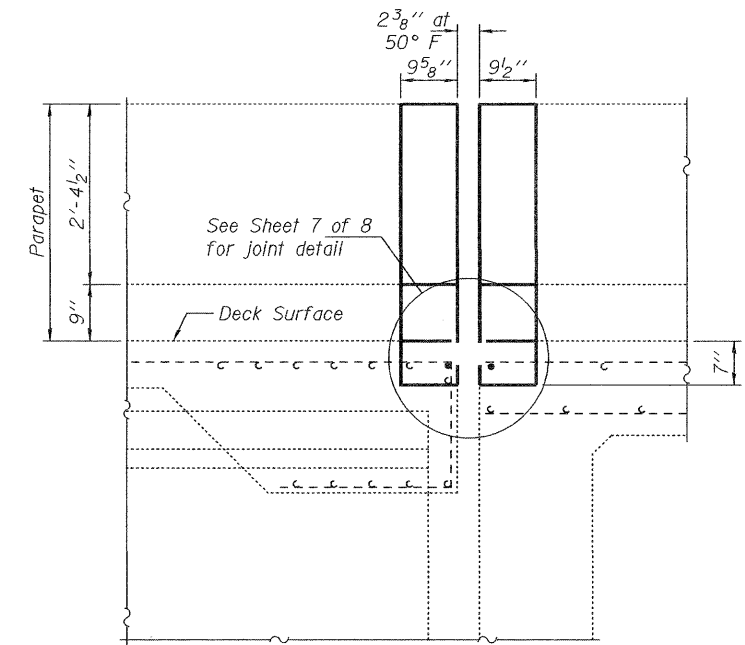
Removal of existing neoprene joints and drain trough is included with Concrete Removal.



**SECTION AT PIER 1**  
(Looking South)



**SECTION AT PIER 5**  
(Looking South)



**SECTION AT WEST ABUTMENT**  
(Looking South)

DESIGNED - ATH  
CHECKED - VHV  
DRAWN - **Drew Christopher**  
CHECKED - ATH VHV

EXAMINED  
PASSED  
ACTING ENGINEER OF STRUCTURAL SERVICES  
ACTING ENGINEER OF BRIDGES AND STRUCTURES

DATE - MARCH 21, 2011

**STATE OF ILLINOIS**  
**DEPARTMENT OF TRANSPORTATION**

**REPAIR DETAILS**  
**SN 043-0043**

SHEET NO. 5 OF 8 SHEETS

F.A.P. RTE. 301	SECTION 102VBR-M	COUNTY JODAVIESS	TOTAL SHEETS 22	SHEET NO. 19
CONTRACT NO. 64582			ILLINOIS FED. AID PROJECT	