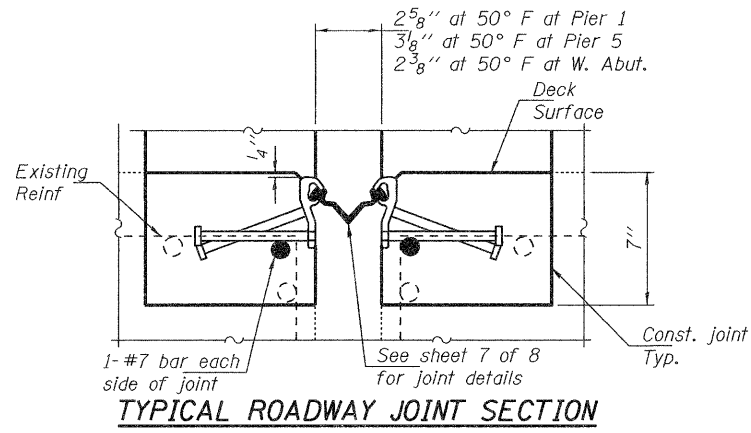
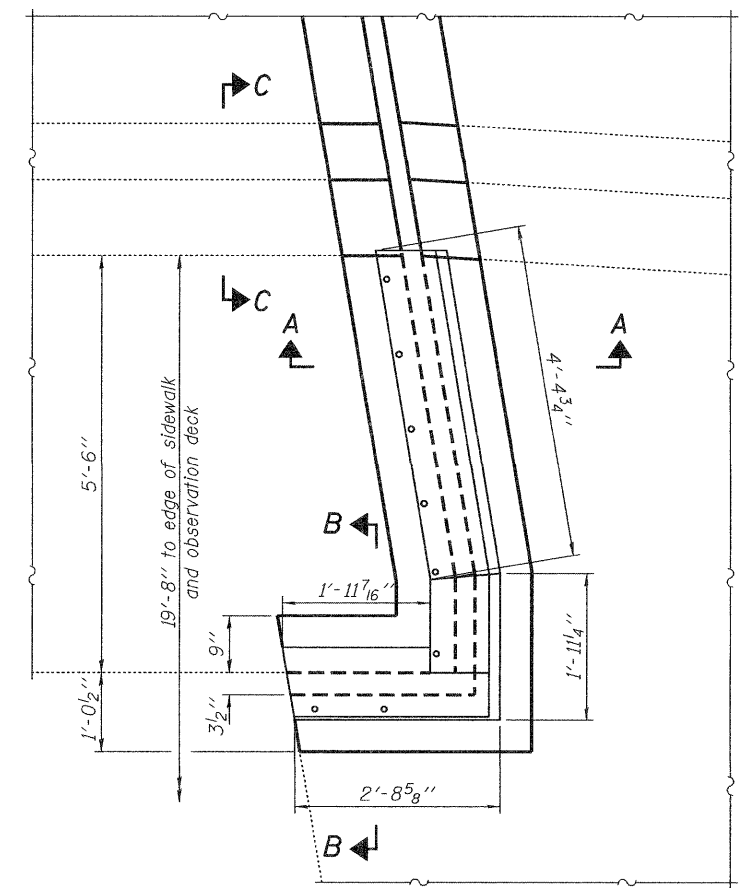


TYPICAL NORTH PARAPET SECTION
 x = a₁(E) bar at Pier 1
 x = a₂(E) bar at Pier 5 (Cut to fit on Span 5 side)
 x = a₃(E) bar at W. Abut.

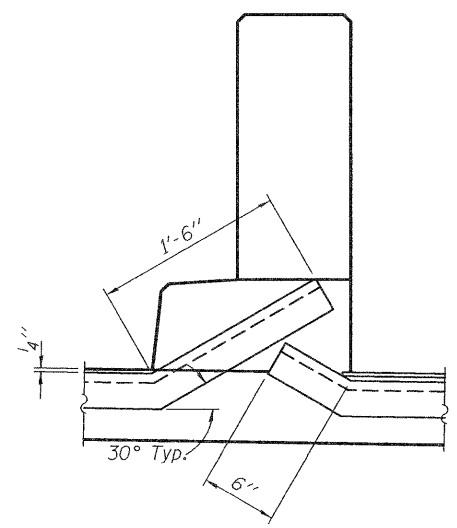
TYPICAL SOUTH PARAPET SECTION



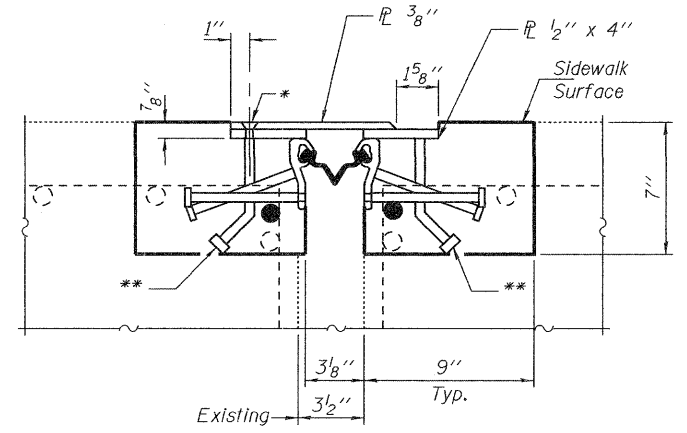
TYPICAL ROADWAY JOINT SECTION



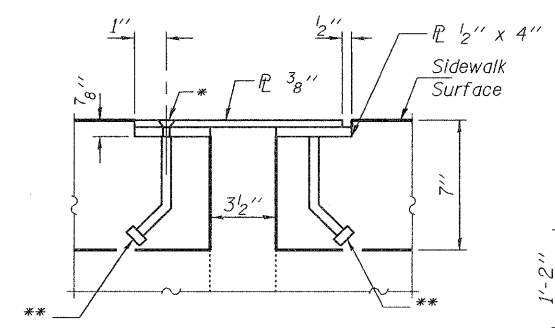
PARTIAL PLAN AT SIDEWALK AT PIER 5



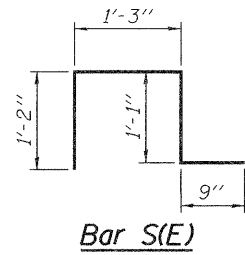
SECTION C-C



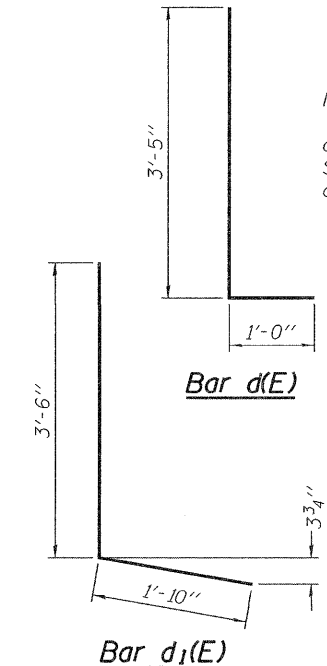
SECTION A-A
(See Note)



SECTION B-B
(See Note)



Bar S(E)



Bar d₁(E)

Note:
 All steel plates and components shall be galvanized after fabrication according to Article 520.03 of the Standard Specifications. Cost of furnishing, galvanizing and installation is included with Preformed Joint Strip Seal

BILL OF MATERIAL

Bar	No.	Size	Length	Shape
a(E)	6	#7	19'-3"	—
a ₁ (E)	2	#7	21'-3"	—
a ₂ (E)	2	#7	22'-4"	—
a ₃ (E)	2	#7	35'-7"	—
d(E)	18	#5	4'-5"	└
d ₁ (E)	6	#5	5'-4"	└
s(E)	12	#5	4'-3"	└
Concrete Removal			Cu. Yd.	5.6
Concrete Superstructure			Cu. Yd.	5.9
Reinforcement Bars, Epoxy Coated			Lbs.	680

DESIGNED - ATH
 CHECKED - VHV
 DRAWN - Drew Christopher
 CHECKED - ATH VHV

EXAMINED - *Joanne F. J...*
 ACTING ENGINEER OF STRUCTURAL SERVICES
 PASSED - *Carl...*
 ACTING ENGINEER OF BRIDGES AND STRUCTURES
 DATE - MARCH 21, 2011

STATE OF ILLINOIS
 DEPARTMENT OF TRANSPORTATION

REPAIR DETAILS
 SN 043-0043
 SHEET NO. 6 OF 8 SHEETS

F.A.P. RTE. 301
 SECTION 102VBR-M
 COUNTY JODAVIESS
 TOTAL SHEETS 22
 SHEET NO. 20
 CONTRACT NO. 64562
 ILLINOIS FED. AID PROJECT