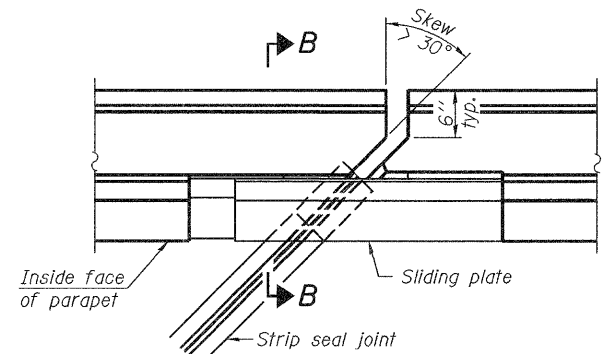
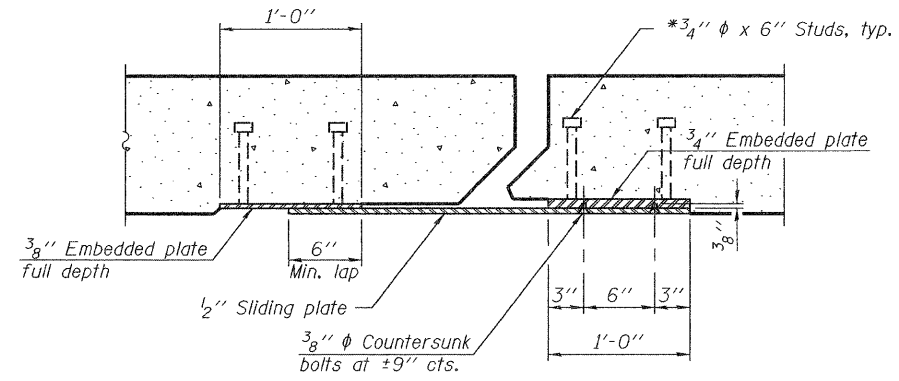


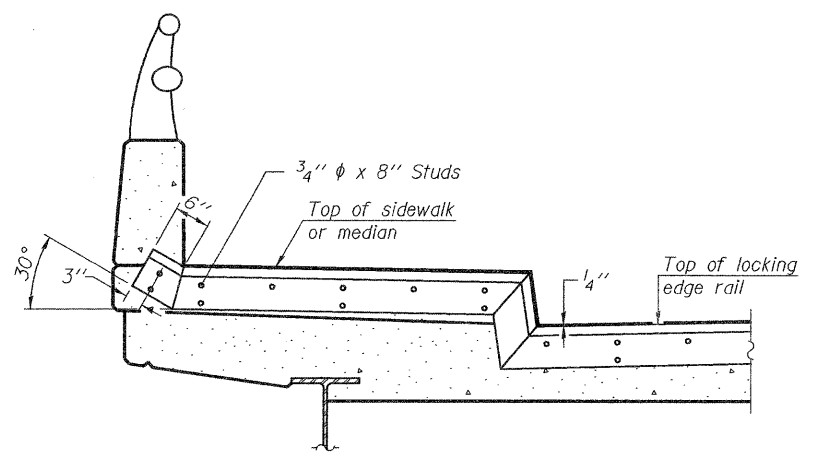
PLAN
(For skews $\leq 30^\circ$)



PLAN
(For skews $> 30^\circ$)
Showing point block

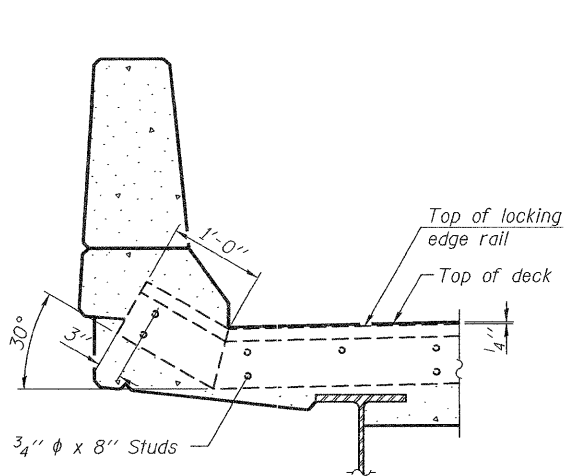


SECTION C-C

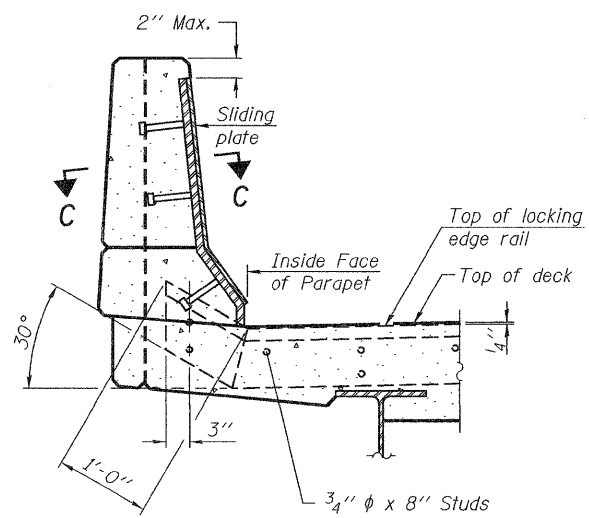


TYPICAL END TREATMENT AT SIDEWALK OR MEDIAN

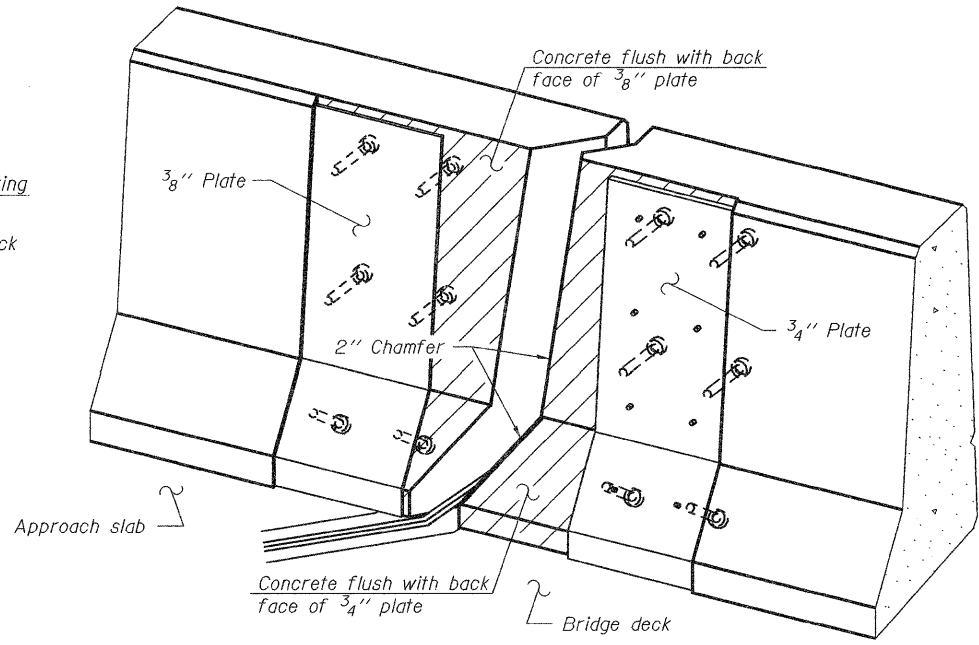
Shorter plates with a single row of studs at 12" cts. may be necessary on medians which are shallower than 9". See manufacturer's recommendation.



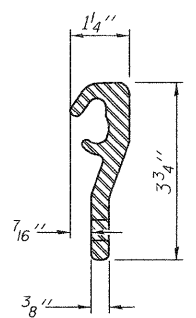
SECTION A-A



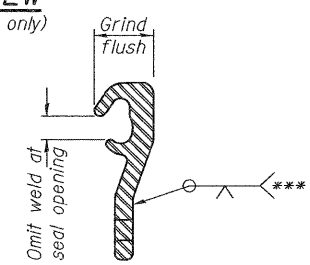
SECTION B-B



TRIMETRIC VIEW
(Showing back plates only)



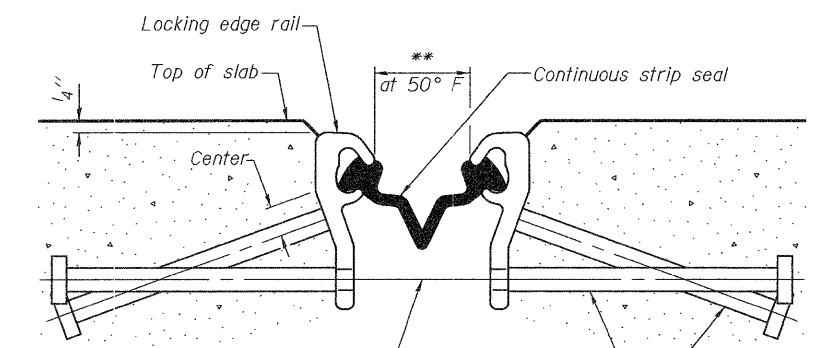
LOCKING EDGE RAIL



LOCKING EDGE RAIL SPLICE

Notes:
The strip seal shall be made continuous and shall have a minimum thickness of 1/4". The configuration of the strip seal shall match the configuration of the Locking Edge Rails.
The height and thickness of the Locking Edge Rails shown are minimum dimensions. The actual configuration of the Locking Edge Rails and matching strip seal may vary from manufacturer to manufacturer. Flanged edge rails will not be allowed.
The inside of the Locking Edge Rail groove shall be free of weld residue. Locking Edge Rails may be spliced at slope discontinuities and stage construction joints.
The manufacturer's recommended installation methods shall be followed.

*** Back gouge not required if complete joint penetration is verified by mock-up.



SECTION THRU STRIP SEAL JOINT

7/16" ϕ holes at 4'-0" cts. for 3/8" ϕ bolts. All bolts shall be burned, sawed, or chipped off flush with the plates after forms are removed, typ.

Place 1/2" ϕ x 6" granular or solid flux filled headed studs conforming to Article 1006.32 of the Std. Specs., automatically end welded at 1'-0" alt. cts.

** Pier 1 - 13/4"
Pier 5 - 2 1/4"
West Abut. - 1 1/2"

Notes:
The strip seal shall be made continuous and shall have a minimum thickness of 1/4". The configuration of the strip seal shall match the configuration of the Locking Edge Rails. Open or "webbed" strip seal gland configurations are not permitted. The gland shall be sized for a maximum rated movement of 4 inches.
The Locking Edge Rails depicted are conceptual only, except for the minimum dimensions shown. The actual configuration of the Locking Edge Rails and matching strip seal may vary from manufacturer to manufacturer. Flanged edge rails will not be allowed. Locking Edge Rails may be spliced at slope discontinuities.
The manufacturer's recommended installation methods shall be followed.

The joint opening and deck dimensions detailed on the superstructure are based on a rolled rail expansion joint. If the Contractor elects to use the welded rail expansion joint, the opening and deck dimensions shall be modified according to the dimensions detailed on this sheet. Required modifications shall be made at no additional cost to the State.
All steel components shall be galvanized after fabrication according to Article 520.03 of the Standard Specifications.
Maximum space between rail segments at stage lines shall be 3/16", sealed with a suitable sealant.
Parapet plates and anchorage studs for skews $> 30^\circ$ included in the cost of Preformed Joint Strip Seal.

BILL OF MATERIAL

Item	Unit	Total
Preformed Joint Strip Seal	Foot	120

DESIGNED - ATH
CHECKED - VHV
DRAWN - **Drew Christopher**
CHECKED - ATH VHV

EXAMINED
PASSED
ACTING ENGINEER OF STRUCTURAL SERVICES
ACTING ENGINEER OF BRIDGES AND STRUCTURES

DATE - MARCH 21, 2011

STATE OF ILLINOIS
DEPARTMENT OF TRANSPORTATION

PREFORMED JOINT STRIP SEAL
SN 043-0043

SHEET NO. 7 OF 8 SHEETS

F.A.P. RTE. 301 SECTION 102VBR-M COUNTY JODAVIESS TOTAL SHEETS 22 SHEET NO. 21 CONTRACT NO. 64682 ILLINOIS FED. AID PROJECT