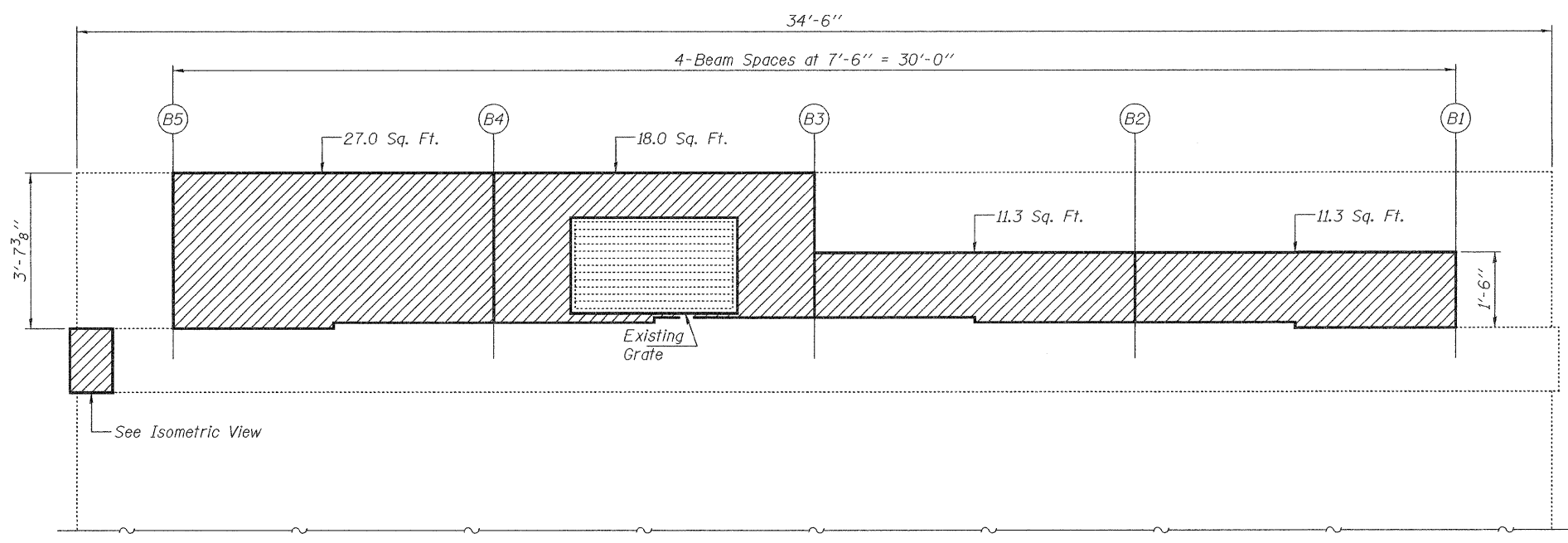
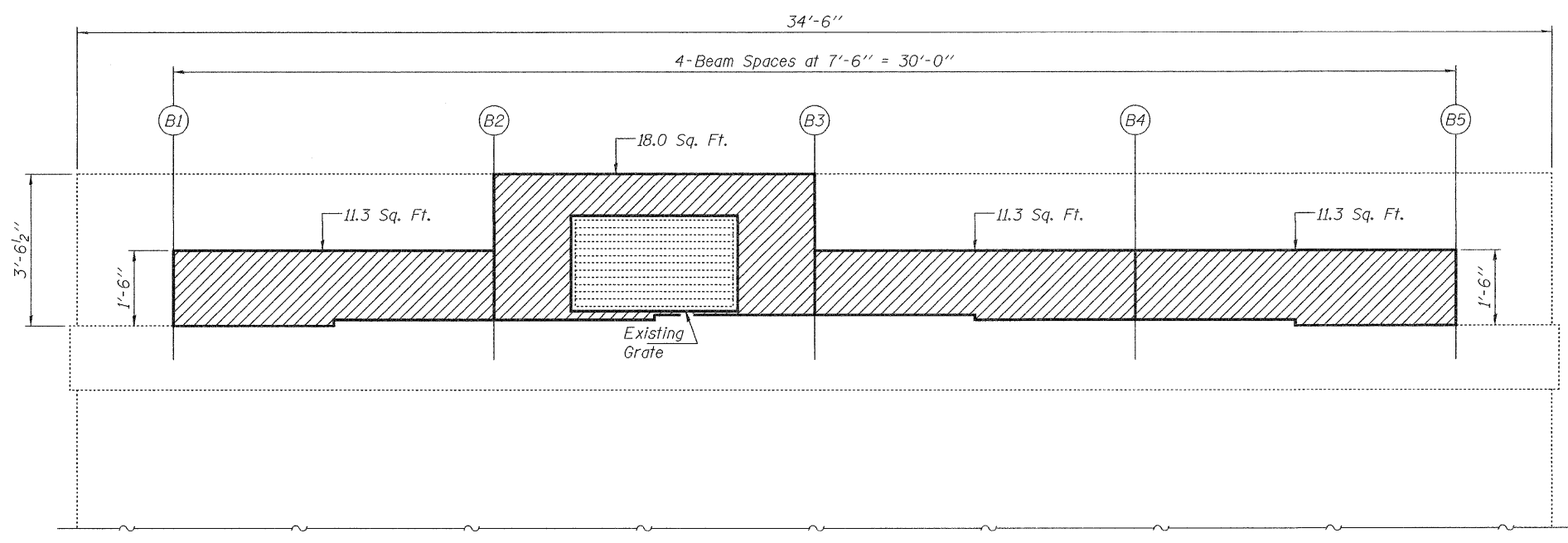


ISOMETRIC VIEW
 P.P.C. I-Beam & Bearing
 not shown for clarity.



BACKWALL REPAIRS - NORTH ABUTMENT SN: 101-0032 (N.B.)
 (Looking North)

- Structural Repair of Concrete ≤ 5 inches



BACKWALL REPAIRS - SOUTH ABUTMENT SN: 101-0032 (N.B.)
 (Looking South)

DESIGNED - IJL	EXAMINED - <i>Joanne F. Jelliffe</i>	DATE - MARCH 11, 2011	STATE OF ILLINOIS DEPARTMENT OF TRANSPORTATION	ABUTMENT BACKWALL REPAIR DETAILS SN 101-0032 (N.B.)	F.A.P. RTE. 738	SECTION (5HB)M1	COUNTY WINNEBAGO	TOTAL SHEETS 9	SHEET NO. 8
CHECKED - GGE	PASSED - <i>Carl King</i>				SHEET NO. 4 OF 5 SHEETS	CONTRACT NO. 64G89 ILLINOIS FED. AID PROJECT			
DRAWN - Kyle M. Steffen	ACTING ENGINEER OF STRUCTURAL SERVICES								
CHECKED - IJL GGE	ACTING ENGINEER OF BRIDGES AND STRUCTURES								