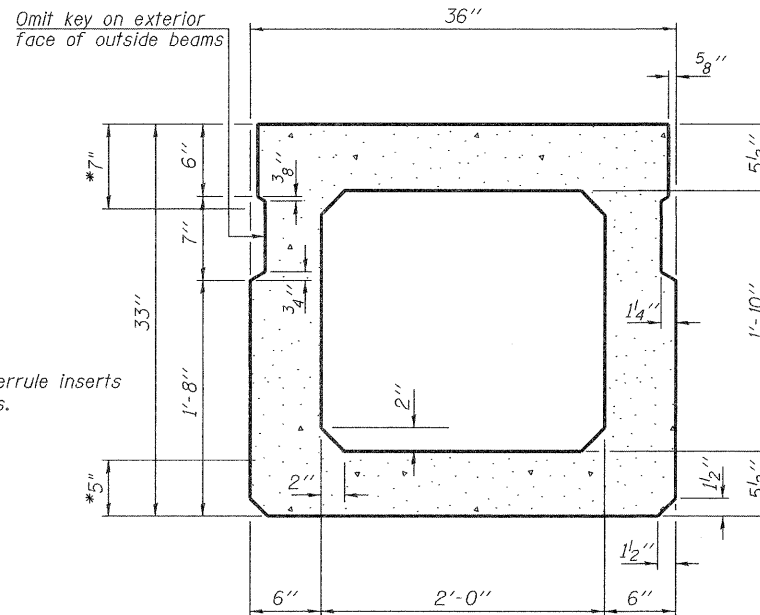
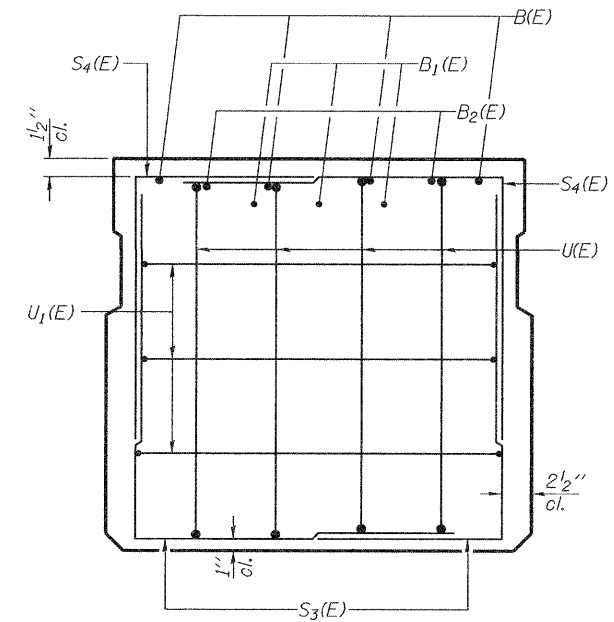


SECTION A-A

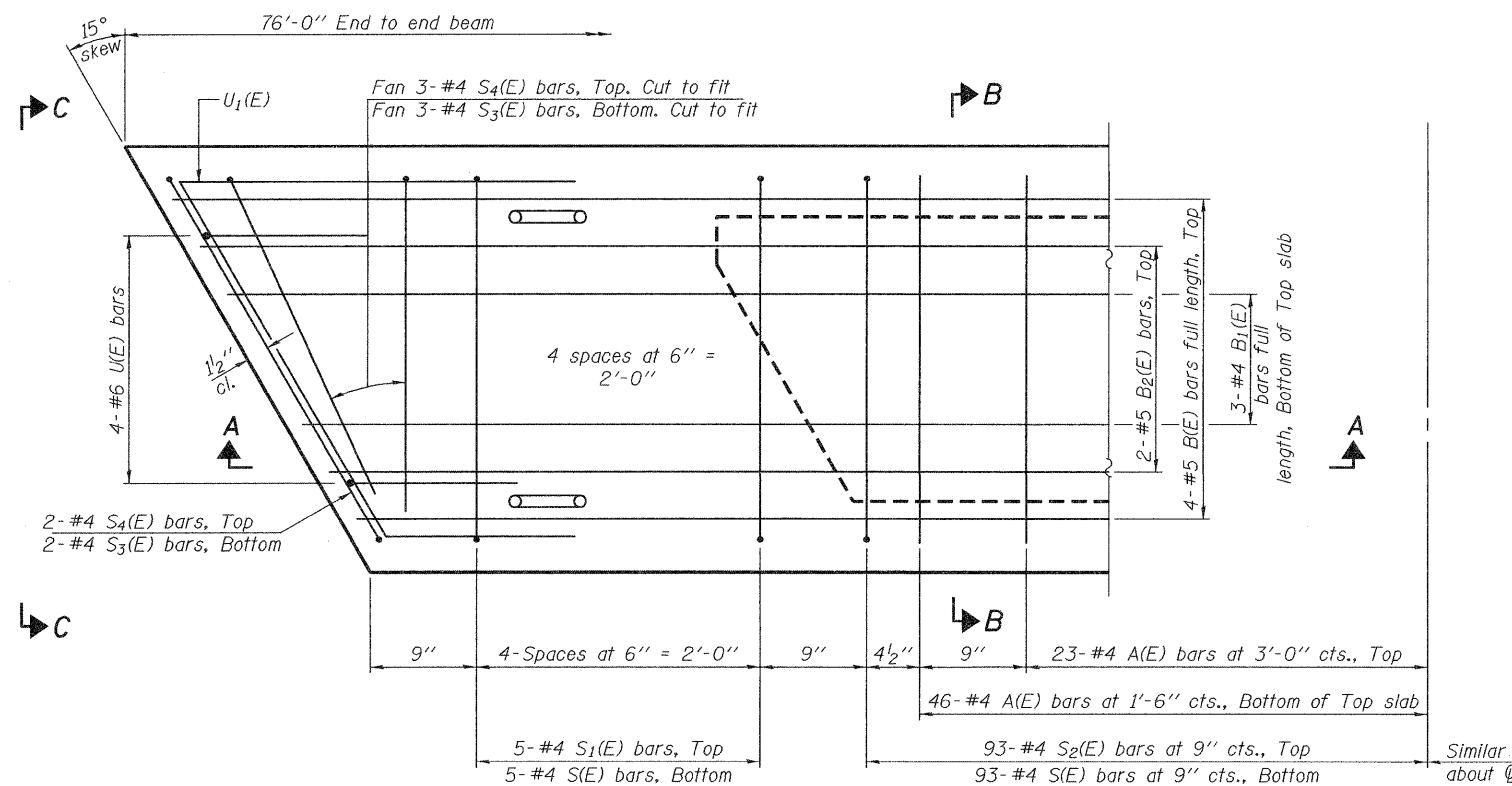


SECTION B-B
(Showing dimensions)



VIEW C-C

D(E) bar not shown for clarity. See detail this sheet.

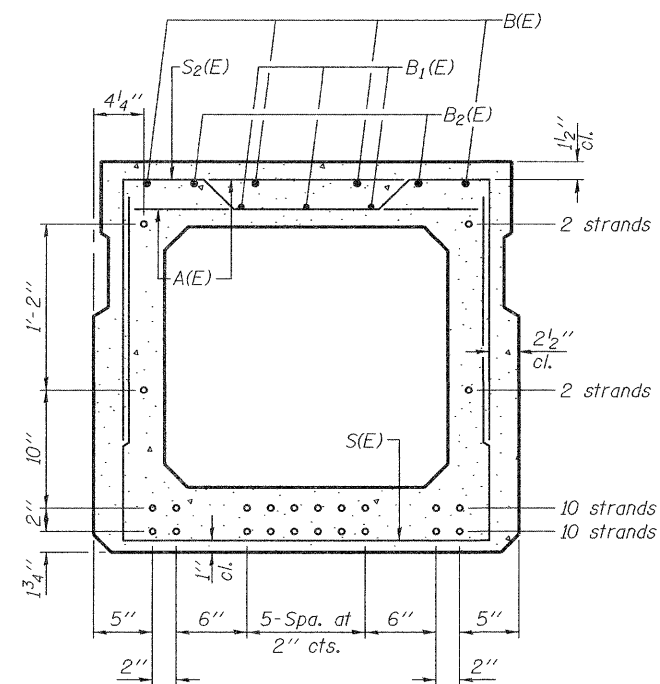


PLAN VIEW

Note: Spacing of S(E) and S2(E) bars may be adjusted up to 4" in the immediate area of the transverse tie diaphragms to miss the block outs for the transverse ties.

MINIMUM BAR LAP

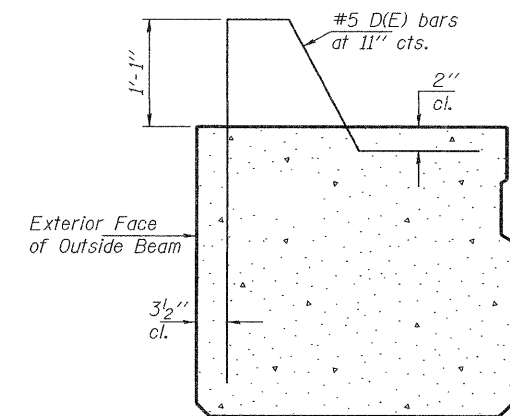
#4 bar = 2'-0"
#5 bar = 2'-6"



SECTION B-B

(Showing reinforcement and permissible strand locations)

Note: Place the number of strands specified in each row symmetrically about the centerline of beam in the permissible strand locations shown.



D(E) BAR DETAILS

BAR LIST
ONE BEAM ONLY

(For information only)

Bar	No.	Size	Length	Shape
A(E)	69	#4	2'-7"	—
B(E)	4	#5	75'-9"	—
B1(E)	3	#4	75'-9"	—
B2(E)	2	#5	10'-0"	—
D(E)	82	#5	6'-11"	┌
S(E)	103	#4	7'-5"	┌
S1(E)	10	#4	6'-3"	┌
S2(E)	93	#4	6'-6"	┌
S3(E)	10	#4	5'-0"	┌
S4(E)	10	#4	4'-5"	┌
U(E)	8	#6	5'-0"	┌
U1(E)	6	#4	5'-9"	┌

Note: See sheet 3 of 6 for additional details and Bill of Material.

DESIGNED	IJL	EXAMINED	<i>James F. Hoff</i>	DATE	MARCH 11, 2011
CHECKED	GGE	PASSED	ACTING ENGINEER OF STRUCTURAL SERVICES		
DRAWN	Kyle M. Steffen		<i>Carl Jones</i>		
CHECKED	IJL GGE		ACTING ENGINEER OF BRIDGES AND STRUCTURES		

STATE OF ILLINOIS
DEPARTMENT OF TRANSPORTATION

33" x 36" PPC DECK BEAM
SN 043-0040

SHEET NO. 2 OF 6 SHEETS

F.A.P. RTE.	SECTION	COUNTY	TOTAL SHEETS	SHEET NO.
642	110BR-3M	JO DAVIESS	12	8
CONTRACT NO. 64E90			ILLINOIS FED. AID PROJECT	