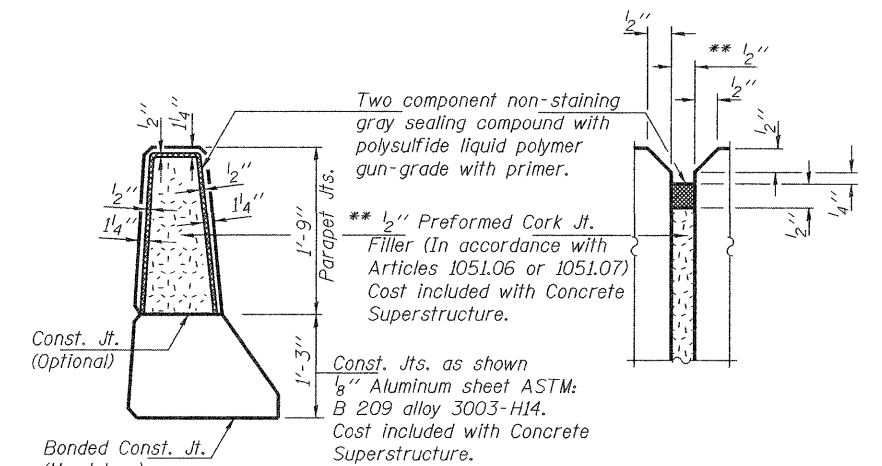
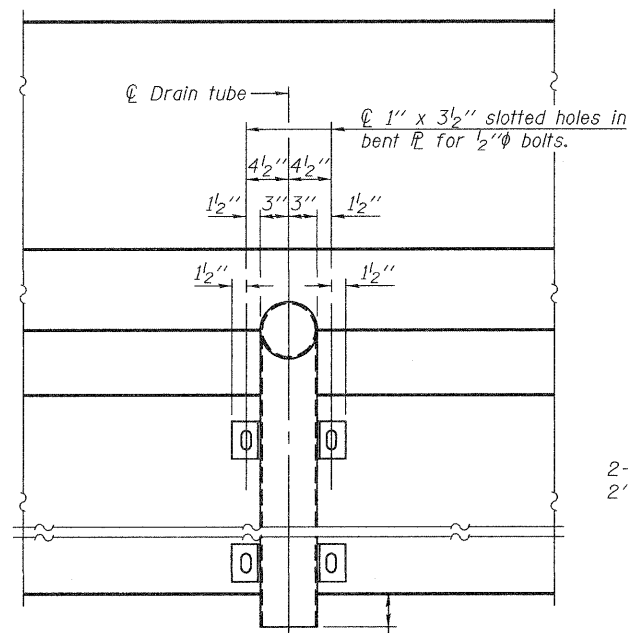


INSIDE ELEVATION OF PARAPET
(Span 1 shown, Span 2 similar)



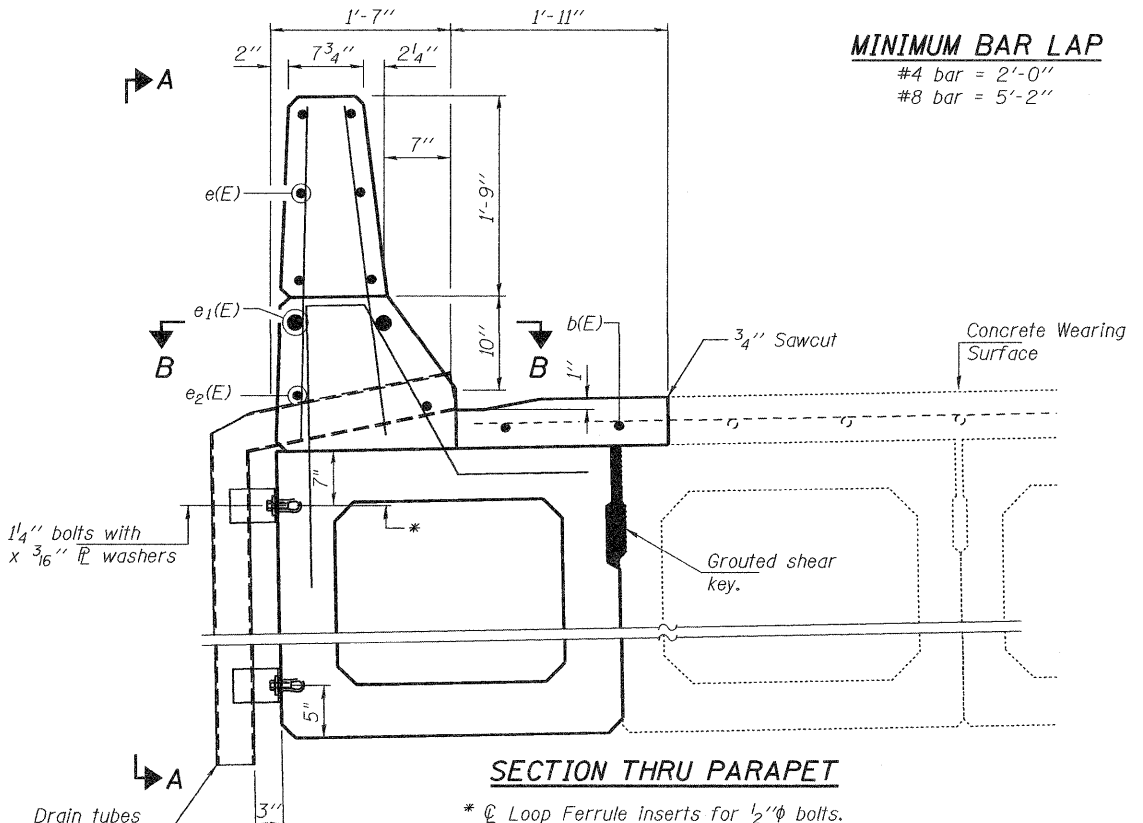
PARAPET JOINT DETAILS
** 1/2" Preformed Cork Jt. Filler at \bar{C} Pier.

MINIMUM BAR LAP
#4 bar = 2'-0"
#8 bar = 5'-2"



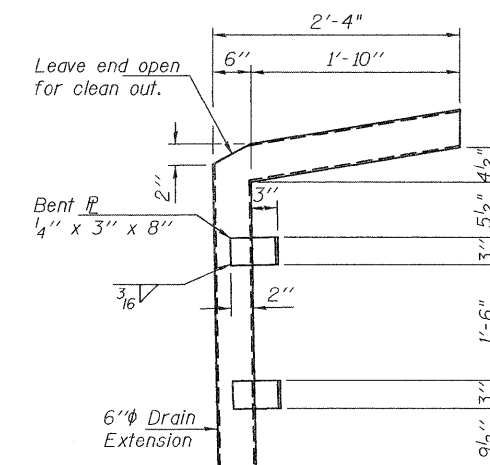
VIEW A-A

Note:
All drain tubes and accessories shall be galvanized according to AASHTO M111 or M232, (as applicable).
The cost of the drain tube assemblies and everything necessary for their installation is included with Floor Drains.

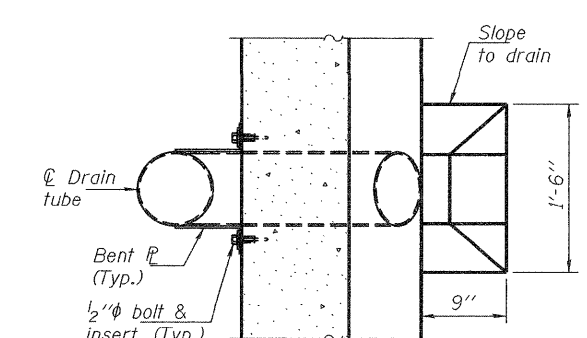


SECTION THRU PARAPET
* \bar{C} Loop Ferrule inserts for 1/2" bolts.

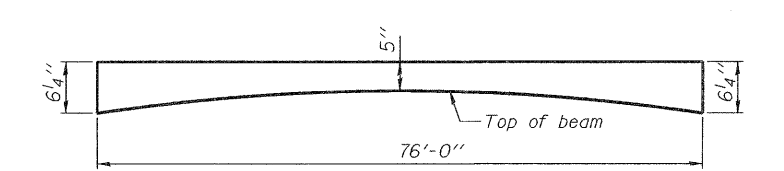
The Contractor shall use extreme care during concrete removal so as not to damage the PPC Deck Beams to remain.



DETAIL A



SECTION B-B



ANTICIPATED CONCRETE WEARING SURFACE PROFILE
(For information only)

SUPERSTRUCTURE BILL OF MATERIAL

Bar	No.	Size	Length	Shape
b(E)	10	#4	31'-9"	—
b1(E)	4	#4	39'-2"	—
d(E)	234	#4	2'-9"	—
d1(E)	252	#5	2'-9"	—
e(E)	72	#4	18'-8"	—
e1(E)	12	#8	37'-8"	—
e2(E)	12	#4	37'-8"	—
Reinforcement Bars, Epoxy Coated		Pound	3880	
Concrete Superstructure		Cu. Yd.	30.2	
Concrete Removal		Cu. Yd.	30.2	

Bars indicated thus 2 x 5-#4 etc. indicates 2 line of bars with 5 lengths per line.