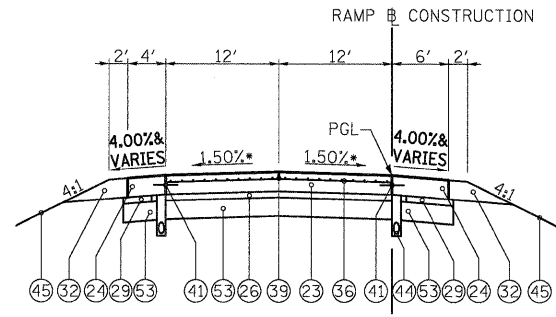


**I-57 RAMP PROPOSED TYPICAL SECTION
(SINGLE 16' LANE)**

•MAXIMUM OF 8% SLOPE

RAMP "E" STA 14+18.33 TO STA 22+31.51
 RAMP "F" STA 149+47.21 TO 153+43.79
 RAMP "G" STA 104+19.79 TO 112+47.27
 RAMP "H" STA 57+88.73 TO 62+74.91

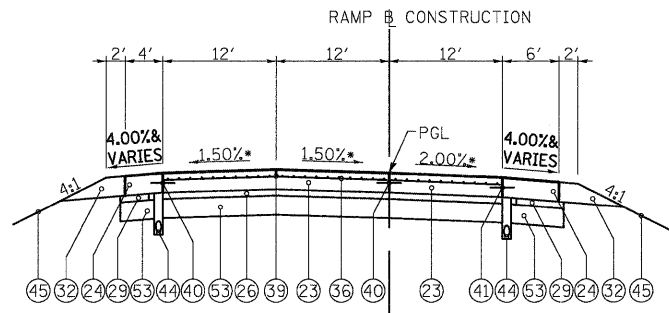


**I-57 RAMP PROPOSED TYPICAL SECTION
(TWO 12' LANES)**

•MAXIMUM OF 8% SLOPE

RAMP "E" STA 22+31.51 TO STA 28+62.86 (VARIES 16'-36')
 RAMP "F" STA 142+42.90 TO 145+47.48
 STA 145+47.48 TO STA 149+47.21 (VARIES 24'-16')
 RAMP "G" STA 112+47.27 TO 122+17.79 (VARIES 16'-48')
 RAMP "H" STA 51+77.00 TO 53+88.50
 STA 53+88.50 TO 57+88.73 (VARIES 24'-16')

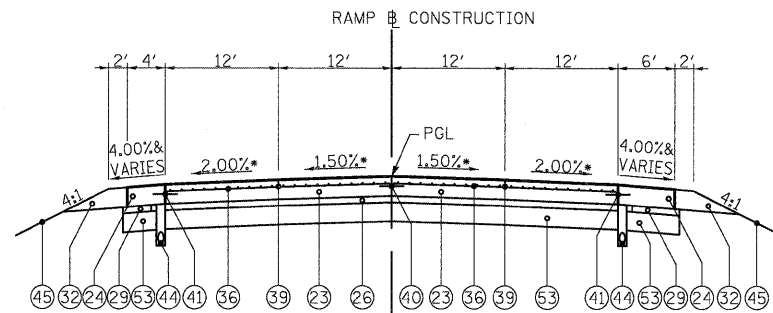
NOTE:
 BITUMINOUS MATERIALS (PRIME COAT) SHALL BE PROVIDED TO THE TOP OF THE AGGREGATE SUBGRADE 12", BELOW THE STABILIZED SUBBASE - HMA, 4"



**I-57 RAMP PROPOSED TYPICAL SECTION
(THREE 12' LANES)**

•MAXIMUM OF 6% SLOPE

RAMP "E" STA 28+62.86 TO STA 30+59.52
 RAMP "F" N/A
 RAMP "G" STA 112+47.27 TO 122+17.79 (VARIES 16'-48')
 RAMP "H" N/A



**I-57 RAMP PROPOSED TYPICAL SECTION
(FOUR 12' LANES)**

•MAXIMUM OF 6% SLOPE

RAMP "E" N/A
 RAMP "F" N/A
 RAMP "G" STA 112+47.27 TO 122+17.79 (VARIES 16'-48')
 STA 122+17.79 TO STA 123+83.49
 RAMP "H" N/A

SUBGRADE REPLACEMENT TABLE

SUBGRADE REPLACEMENT SHALL BE REQUIRED WITHIN THE RAMP GORE AREAS PER THE FOLLOWING TABLE. GEOTECHNICAL FABRIC FOR GROUND STABILIZATION SHALL BE UTILIZED IN THESE AREAS AS WELL.

LOCATION	BEGINNING STATION	ENDING STATION	TOTAL AGGREGATE THICKNESS (IN.)
RAMP E	10+00	14+08	18
RAMP E	16+40	16+79	18
RAMP F	150+40	153+05	18
RAMP F	155+34	158+67	18
RAMP G	100+00	106+85	24
RAMP H	59+47	66+88	24

LEGEND - EXISTING

- ① BITUMINOUS OVERLAY, (VARIES) 7" TO 7 1/4"
- ② BITUMINOUS OVERLAY, (VARIES) 3" TO 3 5/8"
- ③ P.C.C. PAVEMENT, 10"
- ④ SUB-BASE GRANULAR MATERIAL, 6"
- ⑤ SUB-BASE GRANULAR MATERIAL, 4"
- ⑥ BITUMINOUS SHOULDER, (VARIES) 10" TO 11 1/4"
- ⑦ BITUMINOUS SHOULDER, 8 3/4"
- ⑧ BITUMINOUS SHOULDER, 7"
- ⑨ CAM SHOULDER, 10"
- ⑩ CAM SHOULDER, 6"
- ⑪ AGGREGATE SHOULDER
- ⑫ TYPE B-6.12 CURB & GUTTER
- ⑬ BITUMINOUS CONCRETE SURFACE COURSE, 1 1/2"
- ⑭ EXISTING GROUND
- ⑮ BRIDGE PIER
- ⑯ CONCRETE DITCH
- ⑰ SUBSURFACE DRAINAGE SYSTEM
- ⑱ DRAINAGE DITCH
- ⑲ CONCRETE SLOPE WALL

LEGEND - PROPOSED

- ⑳ CONTINUOUSLY REINFORCED CONCRETE PAVEMENT, 12 1/4"
- ㉑ PORTLAND CEMENT CONCRETE SHOULDERS, 12 1/4"
- ㉒ PORTLAND CEMENT CONCRETE PAVEMENT (JOINTED), 10"
- ㉓ PORTLAND CEMENT CONCRETE SHOULDERS, 10"
- ㉔ PAVEMENT REINFORCEMENT
- ㉕ STABILIZED SUBBASE - HMA, 4"
- ㉖ SUBBASE GRANULAR MATERIAL, TYPE A, 12"
- ㉗ SUBBASE GRANULAR MATERIAL, TYPE A, 6"
- ㉘ SUBBASE GRANULAR MATERIAL, TYPE C
- ㉙ AGGREGATE SHOULDER, TYPE B, 12"
- ㉚ AGGREGATE SHOULDER, TYPE B, 4"
- ㉛ AGGREGATE SHOULDER, TYPE B, 10"
- ㉜ CONCRETE BARRIER, DOUBLE FACE, 42" HEIGHT, AND BASE
- ㉝ COMBINATION CONCRETE CURB & GUTTER, TYPE B6.24
- ㉞ CONCRETE MEDIAN SURFACE, 4 INCH
- ㉟ PAVEMENT FABRIC
- ㊱ INCIDENTAL HOT-MIX ASPHALT SURFACING, 2"
- ㊲ HOT-MIX ASPHALT PAVEMENT (FULL-DEPTH) 8"
HMA SURFACE COURSE, MIX "C", N50, 2"
HMA BINDER, IL-19.0 N50, 6"
- ㊳ PAVEMENT TO PAVEMENT (LONGITUDINAL SAWED JOINT)
#6 TIE BAR (EPOXY COATED) 30" LONG @ 30" C-C
- ㊴ PAVEMENT TO PAVEMENT (LONGITUDINAL CONSTRUCTION JOINT)
#6 TIE BAR (EPOXY COATED) 30" LONG @ 24" C-C (FORM IN PLACE) OR
#6 TIE BAR (EPOXY COATED) 24" LONG @ 24" C-C (GROUT IN PLACE)
- ㊵ PAVEMENT TO SHOULDER (LONGITUDINAL CONSTRUCTION JOINT)
#6 TIE BAR (EPOXY COATED) 30" LONG @ 24" C-C
- ㊶ #6 TIE BAR (EPOXY COATED) 12" LONG @ 30" C-C
- ㊷ #6 TIE BAR (EPOXY COATED) 30" LONG @ 24" C-C
- ㊸ PIPE UNDERDRAIN, 4" (MODIFIED) - 36" NOMINAL DEPTH
BELOW BOTTOM OF CONCRETE PAVEMENT OR BASE COURSE
- ㊹ TOPSOIL EXCAVATION AND PLACEMENT (4") WITH SEEDING, TY VARIES
- ㊺ BRIDGE PIER: SEE STRUCTURAL DRAWINGS FOR DETAILS
- ㊻ POLYMERIZED HOT-MIX ASPHALT SURFACE COURSE,
MIX "E", N90, 1 3/4"
- ㊼ POLYMERIZED HOT-MIX ASPHALT BINDER COURSE,
IL-19.0, N90, 2 1/4"
- ㊽ VARIABLE DEPTH BINDER
PAID FOR AS HMA BINDER COURSE, IL-19.0, N90
- ㊾ HOT-MIX ASPHALT SURFACE COURSE, MIX "D", N90, 1 1/2"
- ㊿ HOT-MIX ASPHALT BINDER COURSE, IL-19.0, N90, 2 1/4"
- ① PORTLAND CEMENT CONCRETE BASE COURSE, 10"
- ② AGGREGATE SUBGRADE 12"

FILE NAME =
 I:\Dgn\sheets\ts007.dgn

USER NAME = Eriod
 PLOT SCALE = 1:10
 PLOT DATE = 12/22/2010

DESIGNED - JTF
 DRAWN - JTF
 CHECKED - E.JG
 DATE - 12/17/10

REVISED -
 REVISED -
 REVISED -
 REVISED -

**STATE OF ILLINOIS
 DEPARTMENT OF TRANSPORTATION**

PROPOSED TYPICAL SECTIONS
 SCALE: SHEET NO. OF SHEETS STA. TO STA.

F.A.I. RTE.	SECTION	COUNTY	TOTAL SHEETS	SHEET NO.
57	(46-2) I, HBR, VBR	KANKAKEE	558	21
CONTRACT NO. 66409				
FED. ROAD DIST. NO. 3 ILLINOIS FED. AID PROJECT				