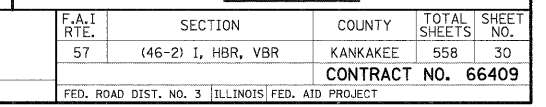
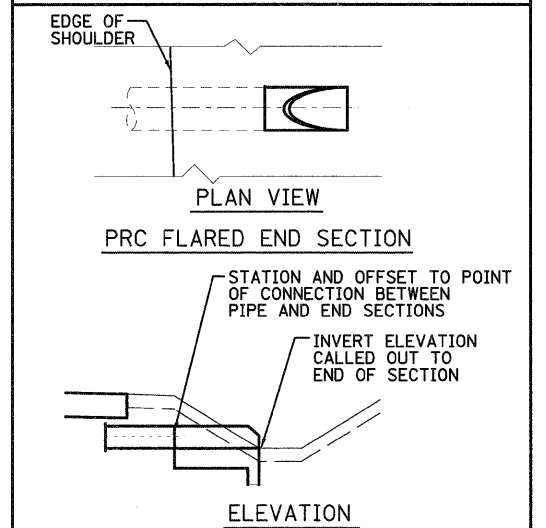
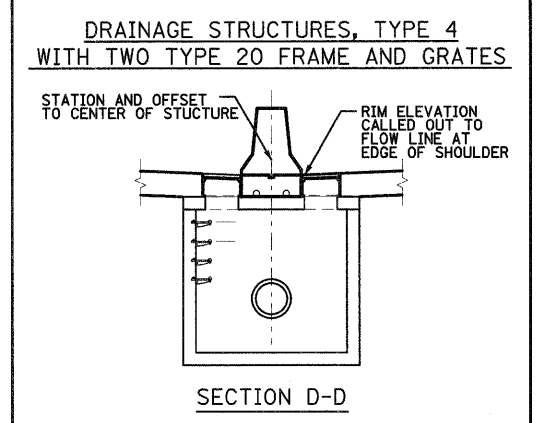
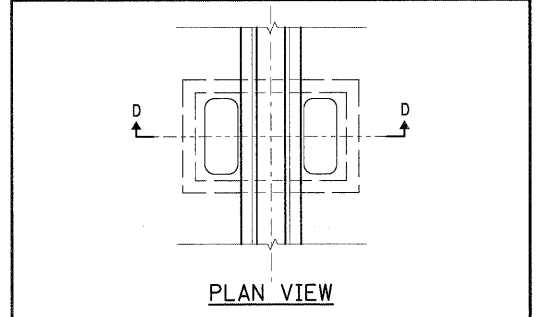
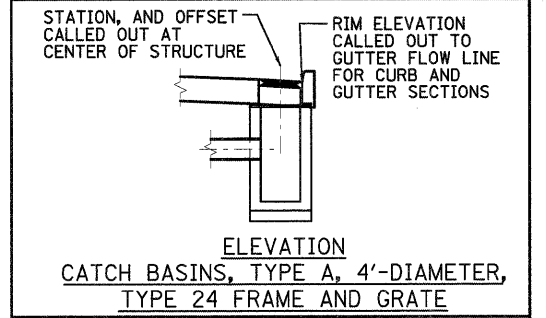
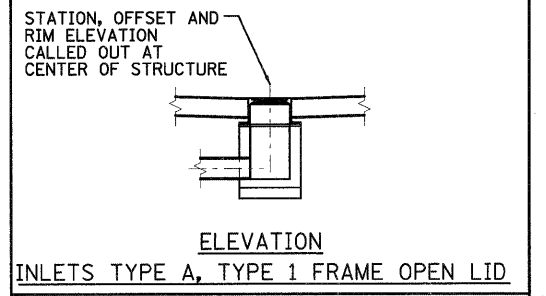


I-57 DRAINAGE STRUCTURE SCHEDULE OF QUANTITIES

STR. NUM.	STATION	OFFSET	RIM ELEV.	N	NE	NW	S	SW	SE	E	W	PRC FLAR END SEC 12 EACH	PRC FLAR END SEC 15 EACH	PRC FLAR END SEC 18 EACH	PRC FLAR END SEC 24 EACH	PRC FL END EQ RS 36 EACH	SMAN TA 4 DIA TIF CL EACH	MAN TA 5 DIA TIF CL EACH	INLETS TA TIF OL EACH	INLETS TB TIF OL EACH	DR STR T4 W/2 T20F&G EACH	COMMENTS		
500	275+00.0	3.6 RT	667.10								663.88								1					
501	275+00.0	4.9 LT	667.17	663.86						663.86														
502	279+00.0	0.0 LT	669.20				664.11													1				
503	277+00.0	0.0 LT	668.20	663.73			663.36				663.36										1			
504	277+00.0	79.0 LT	N/A											1										
505	285+00.0	0.0 LT	672.07 (E) 672.34 (W)				667.66															1		
506	281+66.0	0.0 LT	670.53	667.49																		1		
507	283+00.0	0.0 LT	671.20	667.16			667.16				667.16											1		
508	283+00.0	78.6 RT	N/A								667.00			1										
509	287+50.0	0.0 LT	673.28 (E) 673.62 (W)								669.31											1		
510	287+50.0	78.6 RT	N/A								669.00	1												
511	300+00.0	0.0 LT	681.19 (NE) 681.53 (SW)						673.89													1		
512	298+00.0	0.0 LT	678.71 (NE) 679.05 (SW)			673.17			673.17													1		
513	296+00.0	54.1 RT	680.08					672.62														1		
514	296+00.0	0.0 LT	677.53 (NE) 677.87 (SW)		672.44	672.44			671.94													1		
515	294+00.0	0.0 LT	676.53 (NE) 676.87 (SW)			671.52			671.52													1		
516	292+00.0	0.0 LT	675.53 (E) 675.75 (W)			671.09			671.09													1		
517	290+00.0	0.0 LT	674.53 (W) 674.87 (E)		670.17	670.67																1		
518	290+00.0	83.4 RT	N/A					670.00							1									
525	309+50.0	0.0 LT	705.06 (N) 705.73 (S)							689.48												1		
526	308+00.0	0.0 LT	701.60 (N) 701.94 (S)							687.04	689.04											1		
527	306+00.0	0.0 LT	696.11 (N) 696.45 (S)							684.46	686.46											1		
528	304+00.0	0.0 LT	690.55 (N) 690.89 (S)							681.87	683.87											1		
529	302+00.0	0.0 LT	685.19 (N) 685.53 (S)	680.29				680.00			681.29											1		
530	302+00.0	86.5 RT	N/A												1									
533	313+00.0	0.0 LT	710.11 (N) 711.39 (S)								704.06											1		
534	315+00.0	0.0 LT	711.45 (N) 711.56 (S)							703.47	703.22											1		
535	317+00.0	0.0 LT	712.10							702.63	702.63											1		
536	324+50.0	0.0 LT	708.75							703.90												1		
537	323+00.0	0.0 LT	709.50							703.22	703.47											1		
538	321+00.0	0.0 LT	710.50							702.38	702.63											1		
539	319+00.0	0.0 LT	711.50	701.30						702.05	701.80											1		
540	319+00.0	96.1 RT	N/A				701.00								1									
545	328+00.0	0.0 LT	707.00								699.42											1		
546	330+00.0	0.0 LT	706.00							698.84	698.59											1		
547	332+00.0	0.0 LT	705.17 (N) 704.83 (S)							698.00	697.75											1		
548	334+00.0	0.0 LT	704.17 (N) 703.83 (S)							697.17	696.67											1		
549	338+00.0	0.0 LT	702.77 (N) 702.43 (S)							697.67												1		
550	336+00.0	0.0 LT	703.37 (N) 703.03 (S)				696.08			696.08	697.08											1		
551	336+00.0	90.6 LT	N/A	695.80											1									
555	340+00.0	0.0 LT	702.17 (NE) 701.83 (SW)			697.50																1		
556	342+50.0	0.0 LT	701.42 (NE) 701.08 (SW)			696.61			696.86													1		
557	347+50.0	4.6 LT	700.03		697.03														1					
558	347+50.0	5.1 LT	700.38				697.01	697.01												1				
559	345+00.0	0.0 LT	700.67 (NE) 700.33 (SW)				696.37	695.87	696.12													1		
560	345+00.0	87.6 LT	N/A		695.70										1									
570	282+71.7	82.2 LT	N/A						667.00						1							SEE STD 542-11 FOR GRATING DETAILS		
571	282+50.8	67.2 LT	670.62			666.91	666.91															1		
572	280+65.5	64.1 LT	670.38	666.18			666.18															1		
573	280+25.0	84.5 LT	N/A	666.00											1							SEE STD 542-11 FOR GRATING DETAILS		
A	513+77.3	19.3 LT	N/A							687.49				1								SOUTH FRONTAGE ROAD		
B	513+30.8	18.1 LT	N/A								687.10			1								SOUTH FRONTAGE ROAD		
C	513+43.1	16.5 LT	690.52	686.64						686.64	686.64						1					SOUTH FRONTAGE ROAD		
D	513+36.1	27.7 RT	N/A				686.50															SOUTH FRONTAGE ROAD		
												TOTAL	1	2	3	5	2	1	2	2	2	34		



FILE NAME = I:\Dgn\sheet\vac0208.dgn

USER NAME = EricG
PLOT SCALE = 1:1
PLOT DATE = 12/22/2010

DESIGNED - JWM
DRAWN - JWM
CHECKED - EJG
DATE - 12/17/10

REVISED -
REVISED -
REVISED -
REVISED -

STATE OF ILLINOIS
DEPARTMENT OF TRANSPORTATION

SCHEDULE OF QUANTITIES
SCALE: SHEET NO. OF SHEETS STA. TO STA.

F.A.I. RTE. 57 SECTION (46-2) I, HBR, VBR COUNTY KANKAKEE TOTAL SHEETS 558 SHEET NO. 30 CONTRACT NO. 66409 FED. ROAD DIST. NO. 3 ILLINOIS FED. AID PROJECT