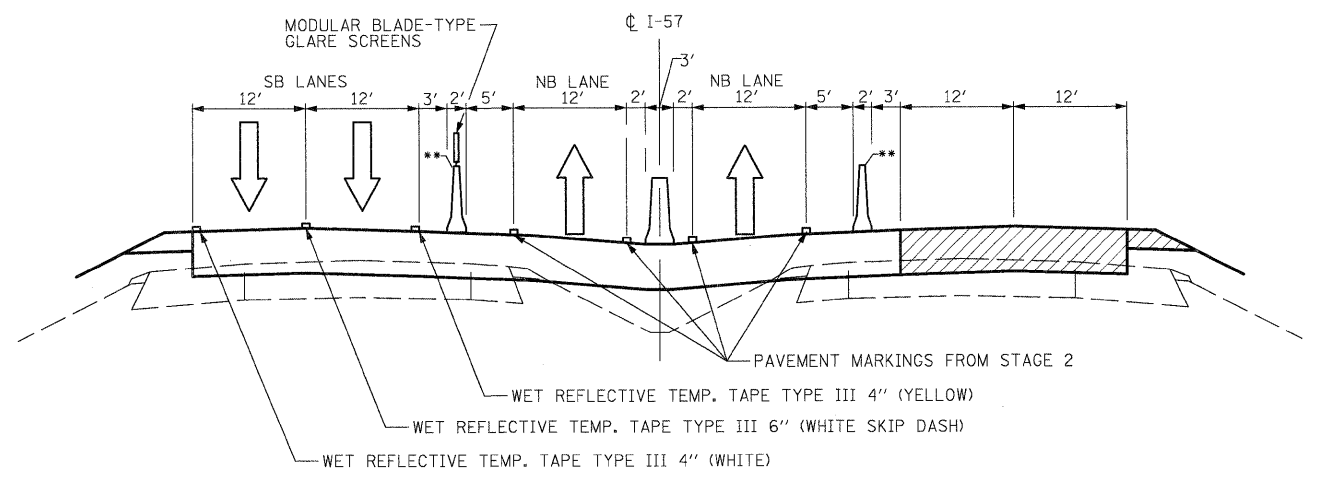
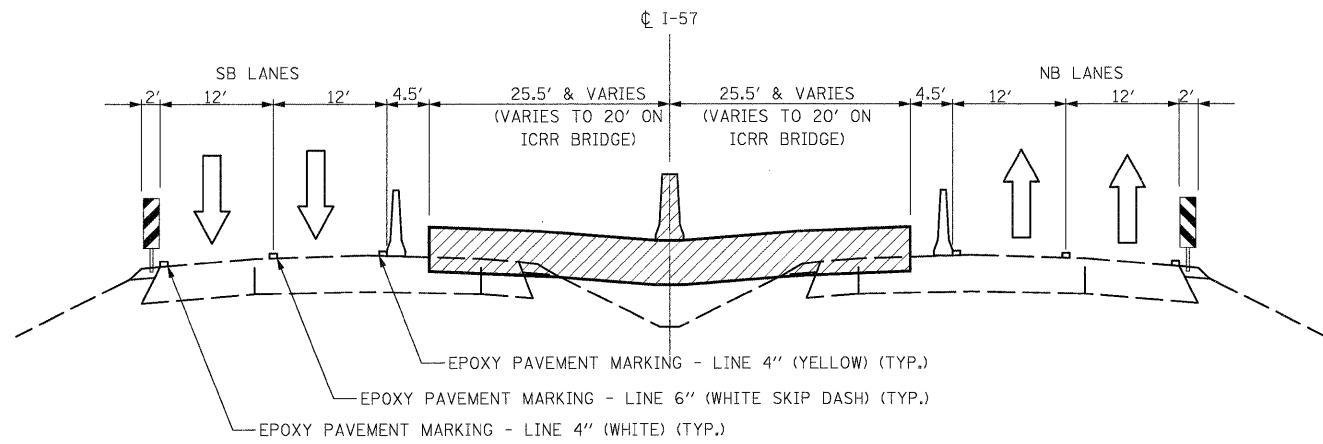


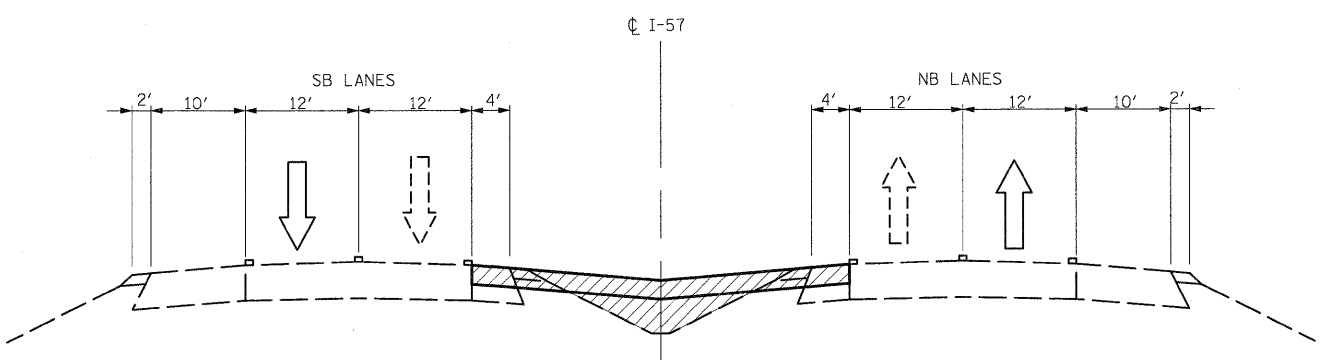
STAGE 1: I-57
 *STA. 258+00 TO STA. 271+00
 **STA. 351+40 TO STA. 373+00



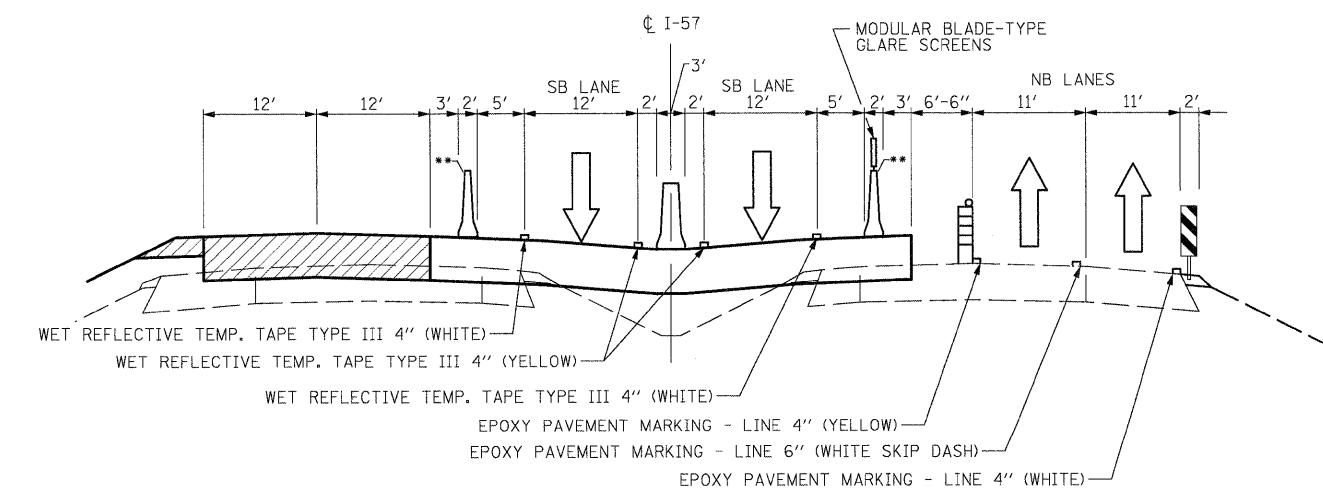
STAGE 3: I-57
 STA. 271+94 TO STA. 353+22
 **BARRIER WALLS OR BARRICADES AS DEPICTED ON PLANS



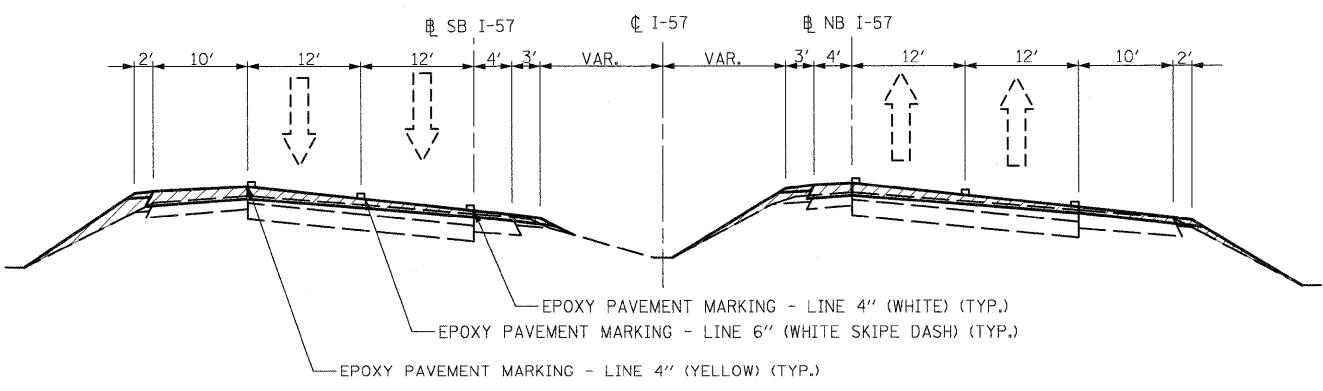
STAGE 1: I-57
 STA. 271+00 TO STA. 353+22



STAGE 4: I-57
 STA. 258+00 TO STA. 271+00
 STA. 353+22 TO STA. 357+20
 (PERFORM WORK WITH OFF PEAK LANE CLOSURE AS OUTLINED
 IN "KEEPING ROADS OPEN TO TRAFFIC" SPECIAL PROVISION)



STAGE 2: I-57
 STA. 271+94 TO STA. 353+22
 **BARRIER WALLS OR BARRICADES AS DEPICTED ON PLANS



STAGE 4: I-57
 STA. 353+22 TO STA. 371+00
 (PERFORM WORK WITH OFF PEAK LANE CLOSURE AS OUTLINED
 IN "KEEPING ROADS OPEN TO TRAFFIC" SPECIAL PROVISION)

FILE NAME = I:\Dgn\sheet\ms003.dgn	USER NAME = EricG	DESIGNED -	REVISED -	STATE OF ILLINOIS DEPARTMENT OF TRANSPORTATION	MAINTENANCE OF TRAFFIC TYPICAL SECTIONS	F.A.I. RTE. 57	SECTION (46-2) I, HBR, VBR	COUNTY KANKAKEE	TOTAL SHEETS 558	SHEET NO. 74	
PLOT SCALE = 1:10	CHECKED -	REVISED -	SCALE:			SHEET NO. OF SHEETS	STA. TO STA.	FED. ROAD DIST. NO. 3 ILLINOIS FED. AID PROJECT		CONTRACT NO. 66409	
PLOT DATE = 12/22/2010	DATE = 12/17/10	REVISED -									