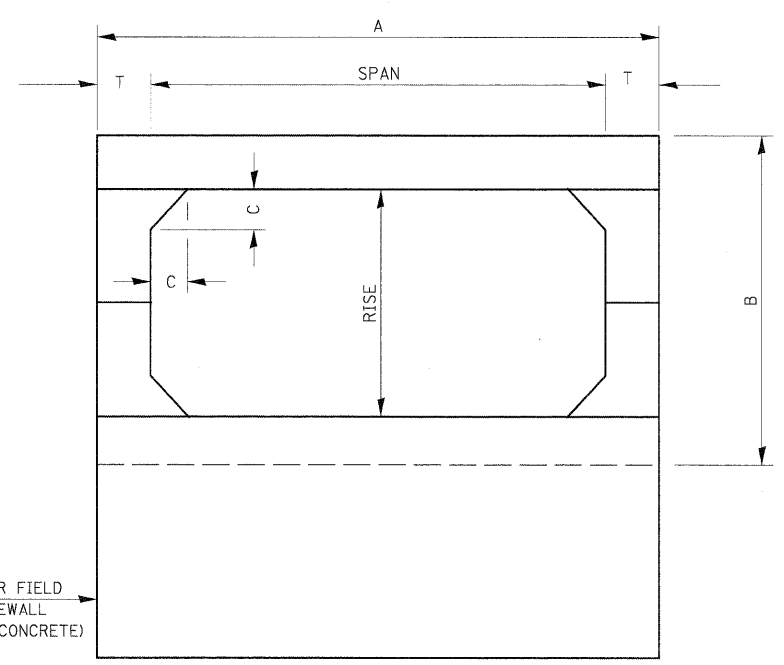


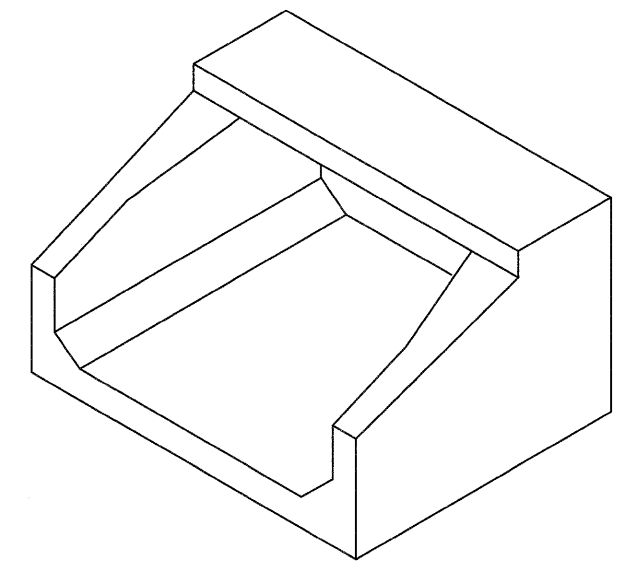
SIDE VIEW

END CONNECTION TO FIT
 PRECAST BOX CULVERT
 (BELL OR SPIGOT MAY BE
 OMITTED WHEN COLLARING
 TO AN EXISTING BOX OR
 HEADWALL)

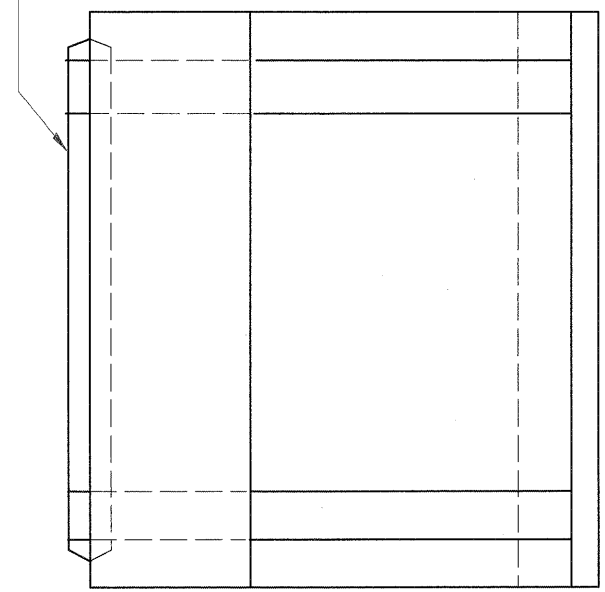


END VIEW

PRECAST OR FIELD
 POURED TOEWALL
 (CLASS S1 CONCRETE)



ISOMETRIC VIEW



PLAN

SPAN X RISE	T (INCHES)	A (FT.-IN.)	B (FT.-IN.)	C (INCHES)	E (FT.-IN.)	F (FT.-IN.)	G (FT.-IN.)	H (FT.-IN.)	SLOPE
2' X 2'	4	2 - 8	2 - 8	4	3 - 0	3 - 0	1 - 0	1 - 0	3 : 1
3' X 2'	4	3 - 8	2 - 8	4	3 - 0	3 - 0	1 - 0	1 - 0	3 : 1
3' X 3'	4	3 - 8	3 - 8	4	2 - 0	4 - 0	1 - 8	1 - 4	3 : 1
4' X 2'	5	4 - 10	2 - 10	5	3 - 0	3 - 0	1 - 0	1 - 0	3 : 1
4' X 3'	5	4 - 10	3 - 10	5	2 - 0	4 - 0	1 - 8	1 - 4	3 : 1
4' X 4'	5	4 - 10	4 - 10	5	2 - 0	4 - 0	2 - 0	2 - 0	2 : 1
5' X 2'	6	6 - 0	3 - 0	6	3 - 0	3 - 0	1 - 0	1 - 0	3 : 1
5' X 3'	6	6 - 0	4 - 0	6	2 - 0	4 - 0	1 - 8	1 - 4	3 : 1
5' X 4'	6	6 - 0	5 - 0	6	2 - 0	4 - 0	2 - 0	2 - 0	2 : 1
5' X 5'	6	6 - 0	6 - 0	6		4 - 0	3 - 0	2 - 0	2 : 1
6' X 2'	7	7 - 2	3 - 2	7	3 - 0	3 - 0	1 - 0	1 - 0	3 : 1
6' X 3'	7	7 - 2	4 - 2	7	2 - 0	4 - 0	1 - 8	1 - 4	3 : 1
6' X 4'	7	7 - 2	5 - 2	7	2 - 0	4 - 0	2 - 0	2 - 0	2 : 1
6' X 5'	7	7 - 2	6 - 2	7		4 - 0	3 - 0	2 - 0	2 : 1
7' X 3'	8	8 - 4	4 - 4	8		4 - 0	1 - 8	1 - 4	3 : 1
7' X 4'	8	8 - 4	5 - 4	8		4 - 0	2 - 0	2 - 0	2 : 1
7' X 5'	8	8 - 4	6 - 4	8		4 - 0	3 - 0	2 - 0	2 : 1
8' X 3'	8	9 - 4	4 - 4	8		4 - 0	1 - 8	1 - 4	3 : 1
8' X 4'	8	9 - 4	5 - 4	8		4 - 0	2 - 0	2 - 0	2 : 1
8' X 5'	8	9 - 4	6 - 4	8		4 - 0	3 - 0	2 - 0	2 : 1
9' X 3'	9	10 - 6	4 - 6	9		4 - 0	1 - 8	1 - 4	3 : 1
9' X 4'	9	10 - 6	5 - 6	9		4 - 0	2 - 0	2 - 0	2 : 1
9' X 5'	9	10 - 6	6 - 6	9		4 - 0	3 - 0	2 - 0	2 : 1
10' X 4'	10	11 - 8	5 - 9	10		4 - 0	2 - 0	2 - 0	2 : 1
10' X 5'	10	11 - 8	6 - 8	10		4 - 0	3 - 0	2 - 0	2 : 1

PRECAST CONCRETE BOX CULVERT END SECTION

540-16

FILE NAME = I:\Dgn\sheet\du32.dgn	USER NAME = EricG	DESIGNED -	REVISED -	STATE OF ILLINOIS DEPARTMENT OF TRANSPORTATION	DRAINAGE DETAILS				F.A.I. RTE.	SECTION	COUNTY	TOTAL SHEETS	SHEET NO.
	PLOT SCALE = 1:1	DRAWN -	REVISED -						57	(46-2) I, HBR, VBR	KANKAKEE	558	164
	PLOT DATE = 12/22/2010	CHECKED -	REVISED -		SCALE: SHEET NO. OF SHEETS STA. TO STA.				CONTRACT NO. 66409				
		DATE = 12/17/10	REVISED -						FED. ROAD DIST. NO. 3 ILLINOIS FED. AID PROJECT				