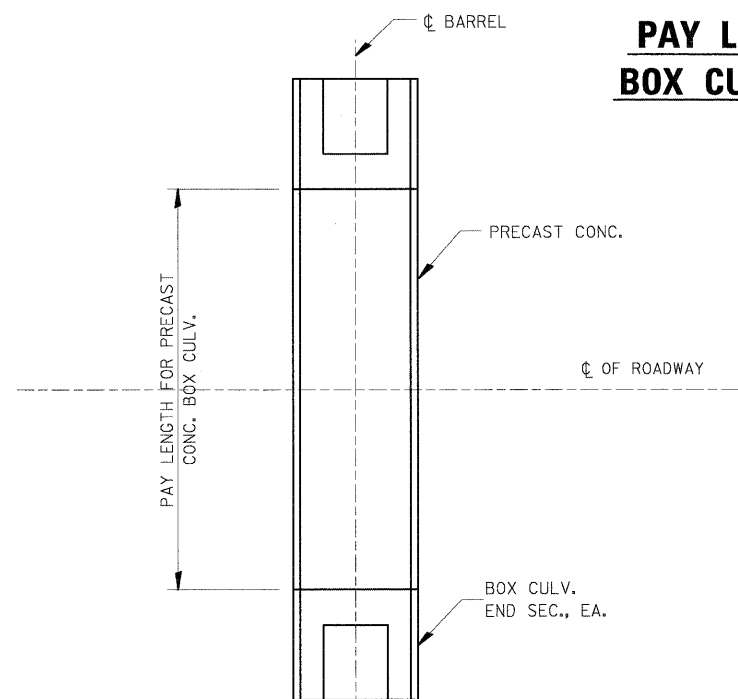


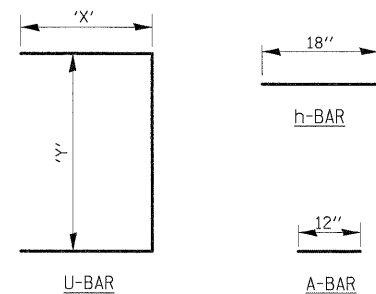
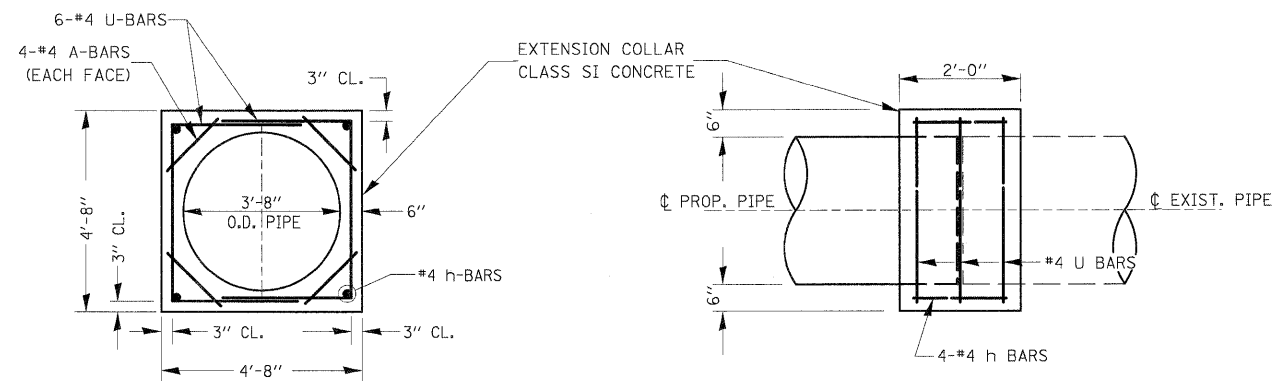
PAY LENGTH FOR PRECAST CONCRETE BOX CULVERT SKEWED WITH ROADWAY

N.T.S.



PAY LENGTH FOR PRECAST CONCRETE BOX CULVERT AT RIGHT ANGLES WITH ROADWAY

N.T.S.



| LOCATION | EXISTING CULVERT SIZE CIR-IN. | EXTENSION COLLAR | | A-BAR | | U-BAR | | h-BAR | CONC. COLLAR CU. YD. | REINFORCEMENT BARS POUND |
|-----------|-------------------------------|------------------|------------|--------|---------|---------|--------|-------|----------------------|--------------------------|
| | | WIDTH IN. | HEIGHT IN. | 12 IN. | 'X' IN. | 'Y' IN. | 18 IN. | | | |
| 330+00 RT | 36" | 56" | 56" | 12" | 31" | 81" | 18" | | 1.7 | 60 |
| 330+00 LT | 36" | 56" | 56" | 12" | 31" | 81" | 18" | | 1.7 | 60 |
| | | | | | | | | | | |
| | | | | | | | | | | |
| | | | | | | | | | | |

COLLAR DETAIL (DIRECT PIPE CULVERT EXTENSION)

542-3

540-18

| | | | | | | | | | | | | | |
|-------------------------------------|------------------------|-----------------|-----------|---|---|-----------|-----------|------|----------------|----------------------------|-----------------|------------------|---------------|
| FILE NAME = It:\Dgn\sheets\du33.dgn | USER NAME = EricD | DESIGNED - | REVISED - | STATE OF ILLINOIS DEPARTMENT OF TRANSPORTATION | DRAINAGE DETAILS | | | | F.A.I. RTE. 57 | SECTION (46-2) I, HBR, VBR | COUNTY KANKAKEE | TOTAL SHEETS 558 | SHEET NO. 165 |
| | PLOT SCALE = 1/4" | CHECKED - | REVISED - | | SCALE: | SHEET NO. | OF SHEETS | STA. | TO STA. | CONTRACT NO. 66409 | | | |
| | PLOT DATE = 12/22/2010 | DATE = 12/17/10 | REVISED - | | FED. ROAD DIST. NO. 3 ILLINOIS FED. AID PROJECT | | | | | | | | |
| | | | | | | | | | | | | | |