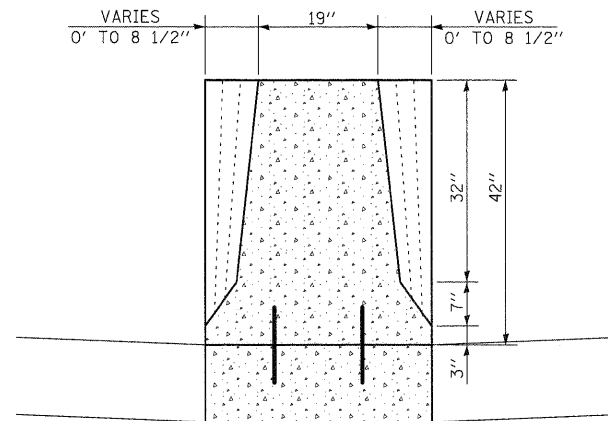
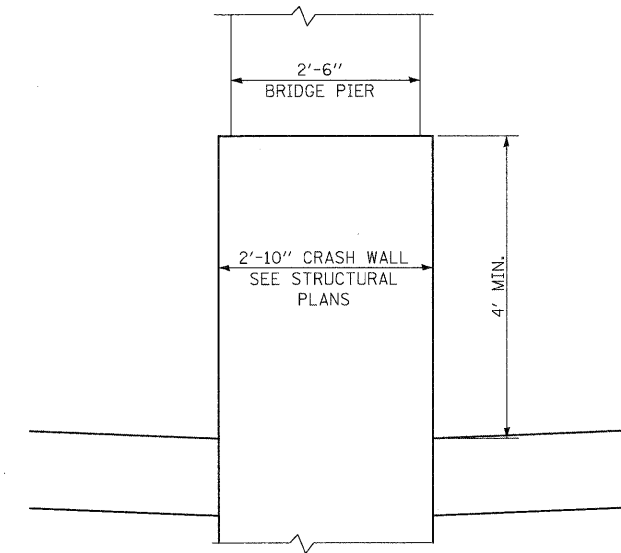


SECTION A-A



SECTION B-B



SECTION C-C

FILE NAME =  
I:\Dgn\sheets\pa2001.dgn

USER NAME = EricG  
PLOT SCALE = 1:5  
PLOT DATE = 12/22/2010

DESIGNED - JTF  
DRAWN - JTF  
CHECKED - EJG  
DATE - 12/17/10

REVISED -  
REVISED -  
REVISED -  
REVISED -

STATE OF ILLINOIS  
DEPARTMENT OF TRANSPORTATION

CONCRETE MEDIAN BARRIER TRANSITION DETAILS

SCALE: SHEET NO. OF SHEETS STA. TO STA.

F.A.I. RTE.	SECTION	COUNTY	TOTAL SHEETS	SHEET NO.
57	(46-2) I, HBR, VBR	KANKAKEE	558	182
FED. ROAD DIST. NO. 3 ILLINOIS FED. AID PROJECT				
CONTRACT NO. 66409				