

INTERCONNECT PLAN LEGEND:

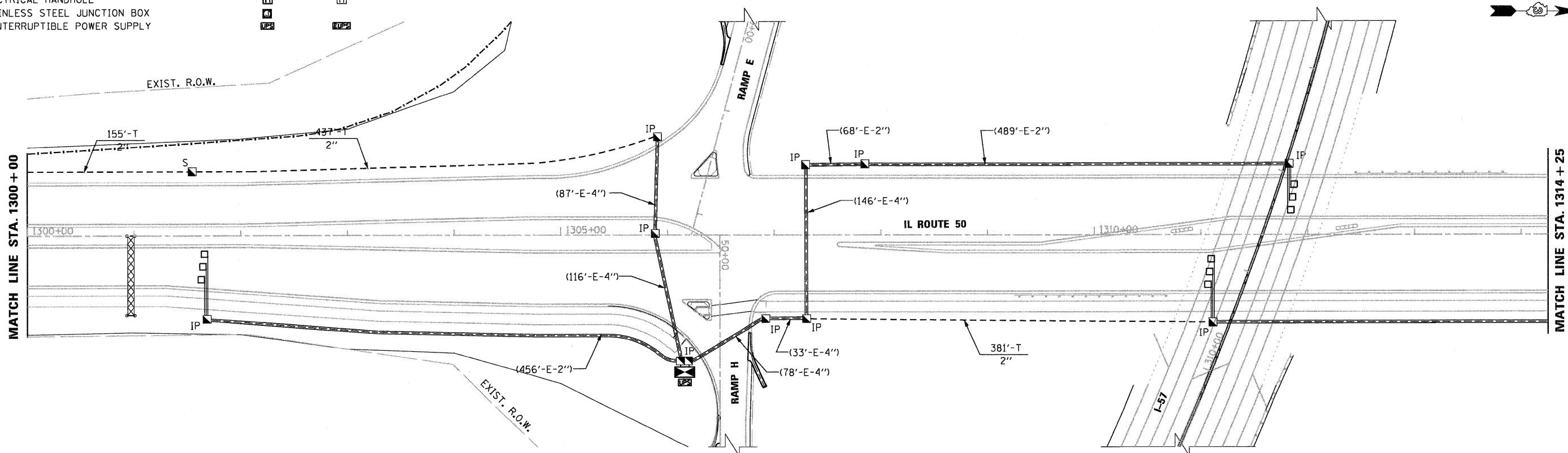
	PROPOSED	EXISTING
CONTROLLER		
HANDHOLE		
HEAVY DUTY HANDHOLE		
DOUBLE HANDHOLE		
G.S. CONDUIT IN TRENCH OR PUSHED		
DETECTOR LOOP SYSTEM		
INTERSECTION UNIT DUCT		
COMMON TRENCH		
ELECTRICAL HANDHOLE		
STAINLESS STEEL JUNCTION BOX		
UNINTERRUPTIBLE POWER SUPPLY		

ARMOUR RD. AND IL-50 INTERSECTION:

THE FOLLOWING EXISTING TRAFFIC SIGNAL EQUIPMENT SHALL BE REMOVED BY THE CONTRACTOR, ALL TRAFFIC SIGNAL EQUIPMENT WHICH IS TO BE REMOVED SHALL BECOME THE PROPERTY OF THE CONTRACTOR AND SHALL BE DISPOSED OF OUTSIDE THE RIGHT OF WAY AT THE CONTRACTOR'S EXPENSE.

1 EACH CONTROLLER AND CABINET (COMPLETE)

RESTORATION OF WORK AREA: RESTORATION OF THE TRAFFIC SIGNAL WORK AREA SHALL BE INCIDENTAL TO THE RELATED PAY ITEM SUCH AS FOUNDATION, CONDUIT, HANDHOLE, TRENCH AND BACKFILL, ETC., AND NO EXTRA COMPENSATION SHALL BE ALLOWED. ALL ROADWAY SURFACES SUCH AS SHOULDERS, MEDIAN, SIDEWALKS, PAVEMENT, ETC. SHALL BE REPLACED IN KIND. ALL DAMAGE TO MOWED LAWNS SHALL BE REPLACED WITH AN APPROVED SOD, AND ALL DAMAGE TO UNMOWED FIELDS SHALL BE SEED IN ACCORDANCE WITH STANDARD SPECIFICATIONS 252 AND 250 RESPECTIVELY.



Delta Engineering, Inc.
 CONSULTING ENGINEERS, CONSTRUCTION MANAGERS, SUPERVISORS
 111 West Jackson Blvd., Suite 910 Chicago, IL 60604-2001

FILE NAME = g:\zd40483\ts-16.dgn	USER NAME = kkhon	DESIGNED - JA	REVISED -	STATE OF ILLINOIS DEPARTMENT OF TRANSPORTATION	TRAFFIC SIGNAL INTERCONNECT PLAN SHEET 1 OF 2	F.A.I. RTE. 57	SECTION (46-2) I, HBR, VBR	COUNTY KANKAKEE	TOTAL SHEETS 558	SHEET NO. 241		
PLOT SCALE = 1:50	CHECKED - HS	REVISIONS	REVISIONS			SCALE:	SHEET NO. OF SHEETS	STA. TO STA.	CONTRACT NO. 66409			
PLOT DATE = 12/17/2010	DATE - 12-17-2010	REVISIONS	REVISIONS			FED. ROAD DIST. NO. 3 ILLINOIS FED. AID PROJECT						