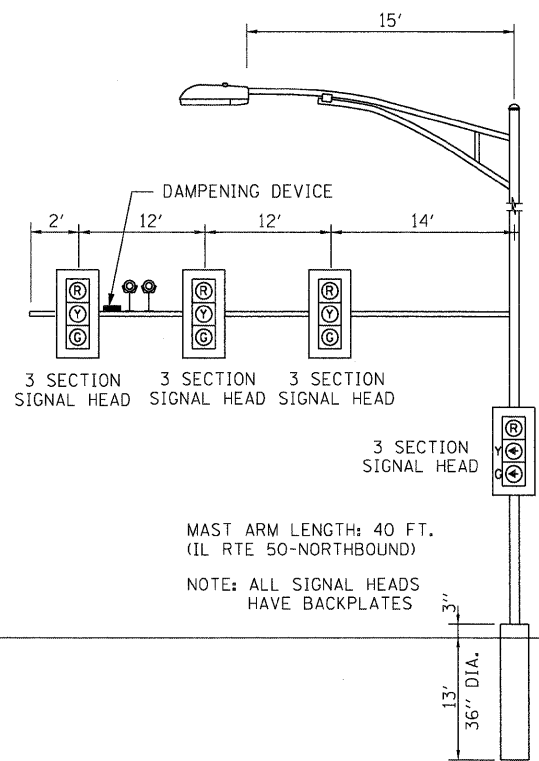
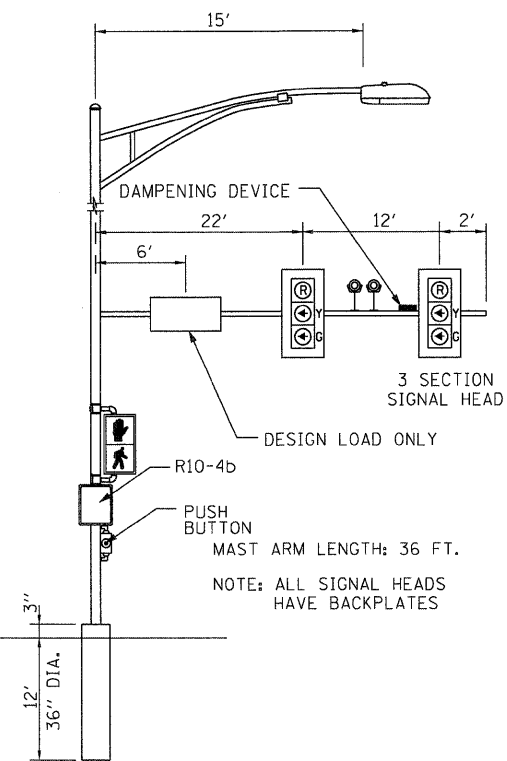


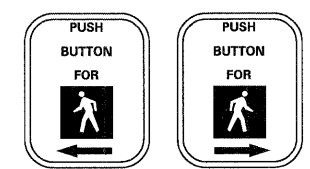
SOUTHWEST CORNER (M-1)
NOT TO SCALE



NORTHEAST CORNER (M-2)
NOT TO SCALE



NORTHEAST CORNER (M-3)
NOT TO SCALE



R10 - 4b LEFT OR RIGHT
 4 SIGNS REQUIRED = 0.75 SQ.FT. EACH
 = 3 SQ.FT. TOTAL

DIMENSION : 9 IN. X 12 IN. (TYP.)
 LEGEND AND BORDER: NON-REFLECTORIZED BLACK
 BACKGROUND: NON-REFLECTORIZED WHITE

ONE SIGNAL SHALL BE PROVIDED FOR EACH PUSH-BUTTON.
 ORIENTATION OF DIRECTIONAL ARROWS TO BE DETERMINED
 BY PUSH-BUTTON LOCATION.

ALL MOUNTING HARDWARE SHALL BE STAINLESS STEEL
 CONSTRUCTION. ALL MOUNTING BOLTS SHALL BE HEX
 LEAD.

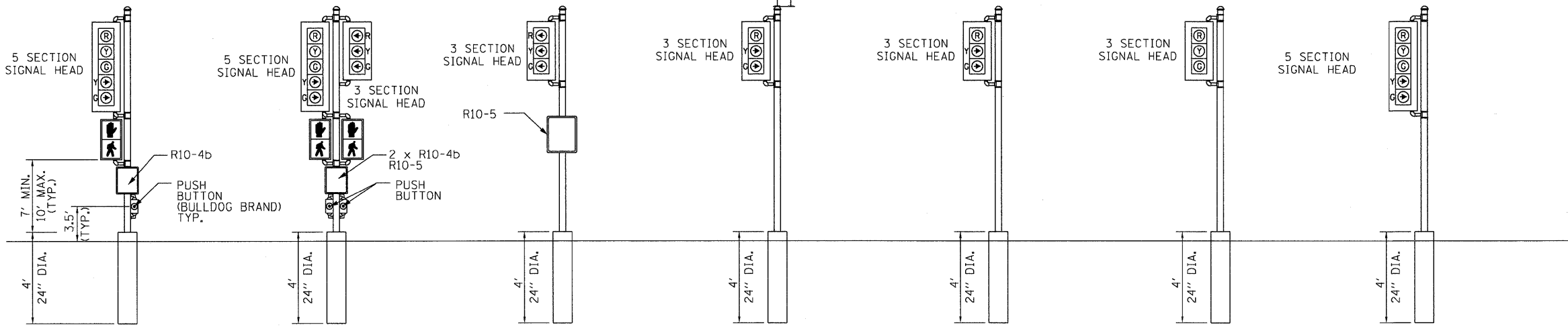
MATERIALS AND INSTALLATION OF THIS SIGN SHALL BE
 INCLUDED IN THE COST OF PEDESTRIAN PUSH-BUTTON.



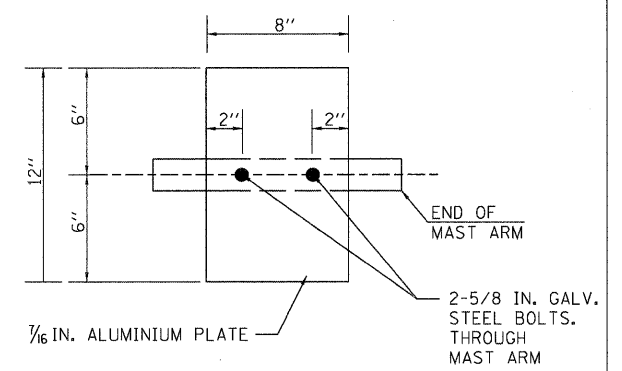
TYPE AP SHEETING REQUIRED
 3 SIGNS REQUIRED = 5 SQ.FT. EACH
 = 15 SQ.FT. TOTAL

THIS SIGN SHALL BE LOCATED 6" TO
 MAST ARM MOUNTED LEFT TURN SIGNAL
 AND DIRECTLY BELOW AND PARALLEL TO
 THE BACKPLATE OF POST BRACKETED

R10 - 5
 24"X30"

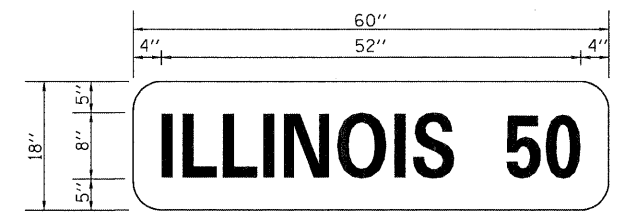


SIGNAL POST-16' (P1) NOT TO SCALE
SIGNAL POST-16' (P2) NOT TO SCALE
SIGNAL POSTS-16' (P3 AND P4) NOT TO SCALE
SIGNAL POST-16' (P5) NOT TO SCALE
SIGNAL POSTS-16' (P6 AND P7) NOT TO SCALE
SIGNAL POST-16' (P8) NOT TO SCALE
SIGNAL POST-16' (P9) NOT TO SCALE



DAMPENING PLATE DETAIL
 (TOP VIEW) INCIDENTAL TO MAST ARM QUANTITY)
 NOT TO SCALE

MAST ARM POLES AND SIGNAL POSTS @ RAMP EH & IL 50
NOT TO SCALE



3/4" BORDER
 8" D SERIES LETTERS
 TYPE A SHEETING REQUIRED
 1 SIGN REQUIRED = 7.5 SQ.FT.
 LETTERING TYPE ZZ FONT

FILE NAME = gr\zd40483\ts-19.dgn	USER NAME = kkhan	DESIGNED - JA	REVISED -	STATE OF ILLINOIS DEPARTMENT OF TRANSPORTATION	TRAFFIC SIGNAL MAST ARM AND SIGNAL POST DETAILS RAMP EH			F.A.I. RTE. 57	SECTION (46-2) I, HBR, VBR	COUNTY KANKAKEE	TOTAL SHEETS 558	SHEET NO. 244			
PLOT SCALE = NONE	CHECKED - HS	REVISED -						SCALE:	SHEET NO.	OF	SHEETS	STA.	TO STA.	FED. ROAD DIST. NO. 3	[ILLINOIS] FED. AID PROJECT
PLOT DATE = 12/17/2010	DATE - 12-17-2010	REVISED -													