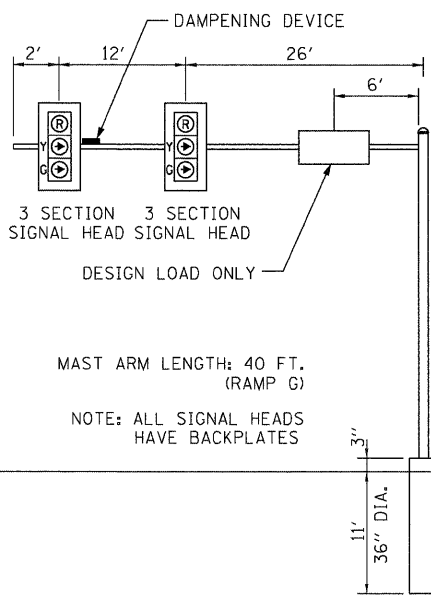


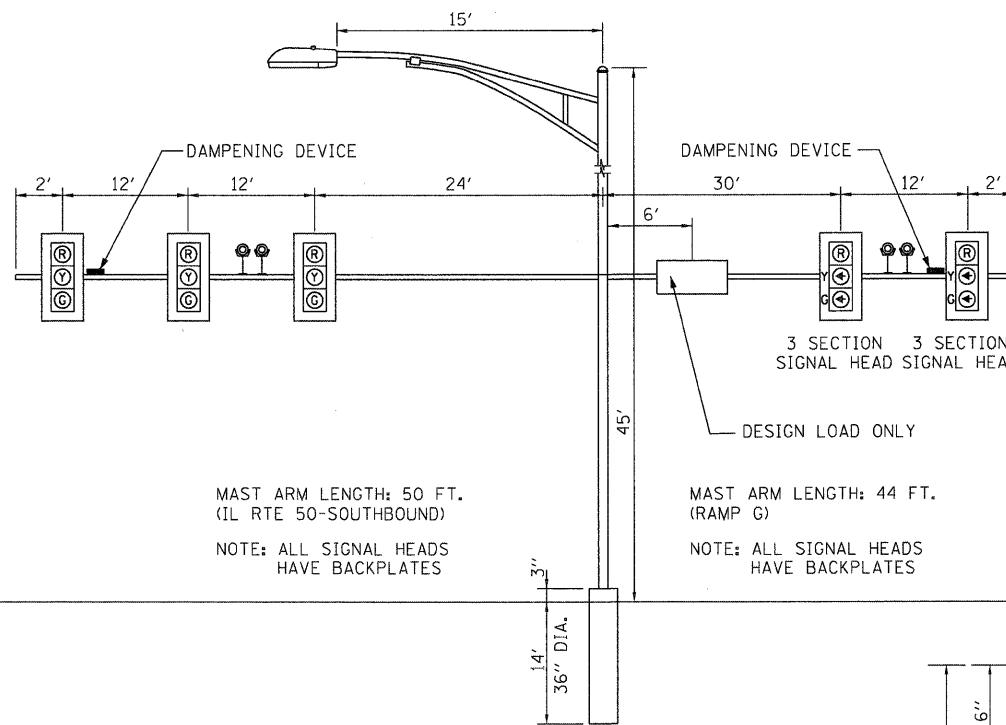
MAST ARM LENGTH: 58 FT.
(IL RTE 50-NORTHBOUND)
NOTE: ALL SIGNAL HEADS
HAVE BACKPLATES

NORTHEAST CORNER (M-1)
NOT TO SCALE



MAST ARM LENGTH: 40 FT.
(RAMP G)
NOTE: ALL SIGNAL HEADS
HAVE BACKPLATES

NORTHWEST CORNER (M-2)
NOT TO SCALE

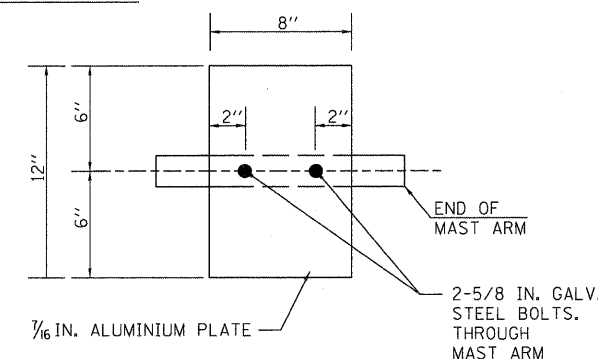


MAST ARM LENGTH: 50 FT.
(IL RTE 50-SOUTHBOUND)
NOTE: ALL SIGNAL HEADS
HAVE BACKPLATES

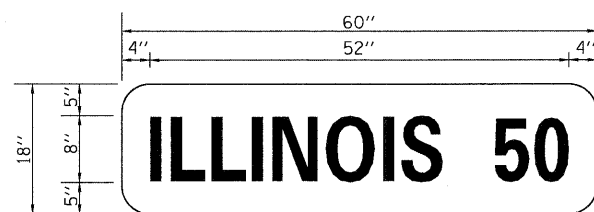
SOUTHWEST CORNER (M-3)
NOT TO SCALE

**LEFT ON
GREEN
ARROW
ONLY**

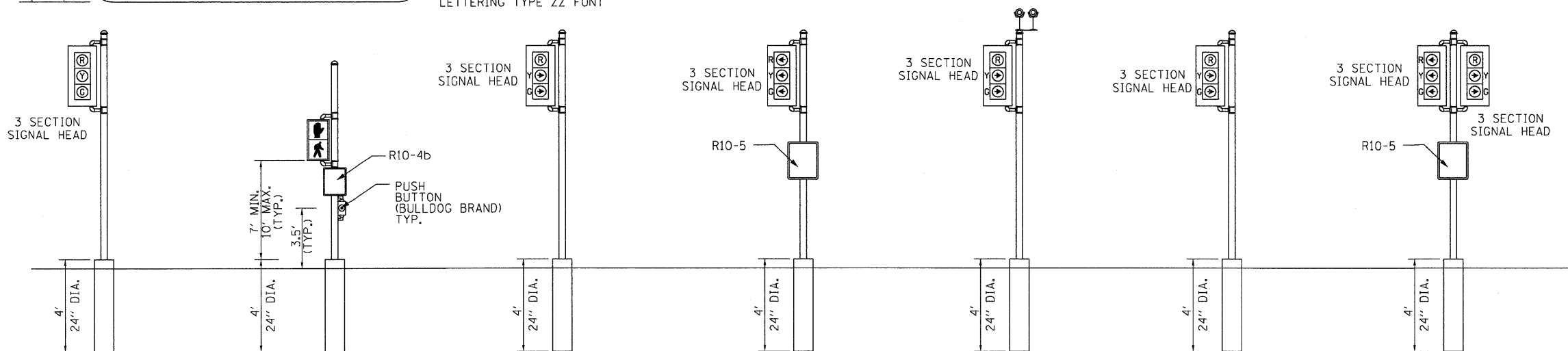
R10 - 5
24"X30"
TYPE AP SHEETING REQUIRED
3 SIGNS REQUIRED = 5 SQ.FT. EACH
= 15 SQ.FT. TOTAL



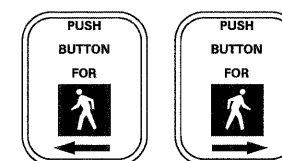
DAMPENING PLATE DETAIL
(TOP VIEW) INCIDENTAL TO MAST ARM QUANTITY
NOT TO SCALE



3/4" BORDER
8" D SERIES LETTERS
TYPE A SHEETING REQUIRED
1 SIGN REQUIRED = 7.5 SQ.FT.
LETTERING TYPE ZZ FONT



SIGNAL POST-16' (P1) NOT TO SCALE
SIGNAL POSTS-14' (P2 AND P9) NOT TO SCALE
SIGNAL POST-16' (P3) NOT TO SCALE
SIGNAL POST-16' (P4 AND P5) NOT TO SCALE
SIGNAL POST-16' (P6) NOT TO SCALE
SIGNAL POST-16' (P7) NOT TO SCALE
SIGNAL POST-16' (P8) NOT TO SCALE



R10 - 4b LEFT OR RIGHT
2 SIGNS REQUIRED = 0.75 SQ.FT. EACH
= 1.5 SQ.FT. TOTAL

DIMENSION : 9 IN. X 12 IN. (TYP.)
LEGEND AND BORDER: NON-REFLECTORIZED BLACK
BACKGROUND: NON-REFLECTORIZED WHITE

ONE SIGNAL SHALL BE PROVIDED FOR EACH PUSH-BUTTON.
ORIENTATION OF DIRECTIONAL ARROWS TO BE DETERMINED
BY PUSH-BUTTON LOCATION.

ALL MOUNTING HARDWARE SHALL BE STAINLESS STEEL
CONSTRUCTION. ALL MOUNTING BOLTS SHALL BE HEX
LEAD.

MATERIALS AND INSTALLATION OF THIS SIGN SHALL BE
INCLUDED IN THE COST OF PEDESTRIAN PUSH-BUTTON.

MAST ARM POLES AND SIGNAL POST @ RAMP FG & IL 50
NOT TO SCALE

FILE NAME = g:\zd40483\ts-20.dgn	USER NAME = kkhon	DESIGNED - JA	REVISED -	STATE OF ILLINOIS DEPARTMENT OF TRANSPORTATION	TRAFFIC SIGNAL MAST ARM AND SIGNAL POST DETAILS RAMP FG	F.A.I. RTE. 57	SECTION (46-2) I, HBR, VBR	COUNTY KANKAKEE	TOTAL SHEETS 558	SHEET NO. 245	
PLOT SCALE = NONE	CHECKED - HS	REVISOR - RM/IS	REVISIONS -			SCALE:	SHEET NO. OF SHEETS	STA.	TO STA.	FED. ROAD DIST. NO. 3	ILLINOIS FED. AID PROJECT
PLOT DATE = 12/17/2010	DATE - 12-17-2010	DATE - 12-17-2010	REVISIONS -			CONTRACT NO. 66409					