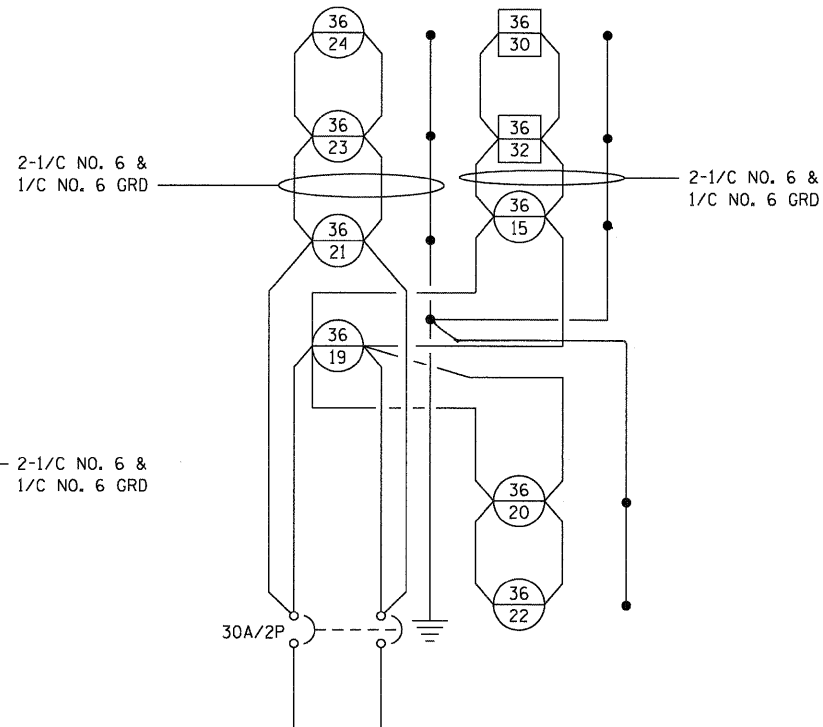
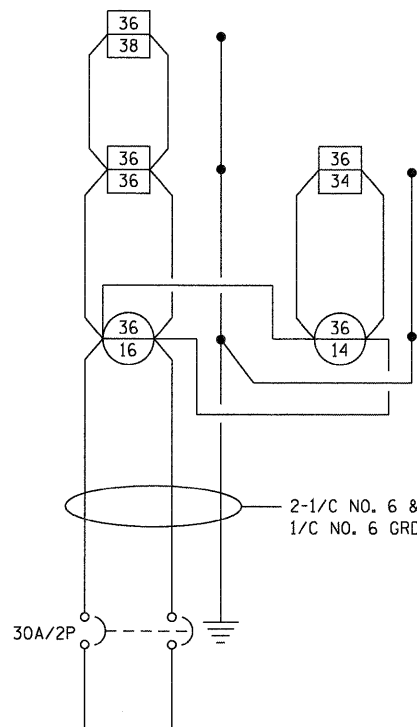


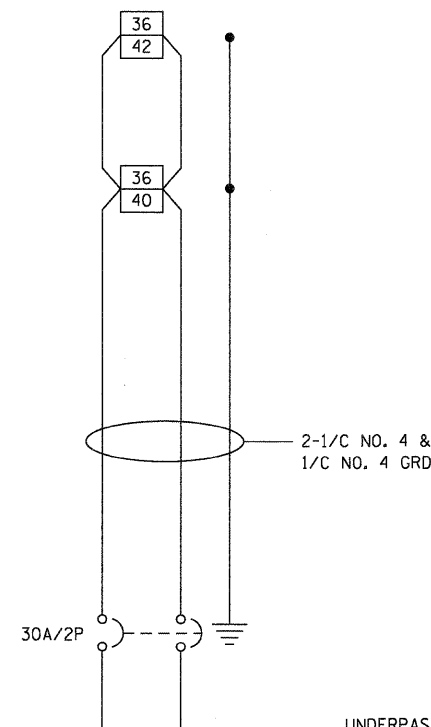
**CIRCUIT A1**



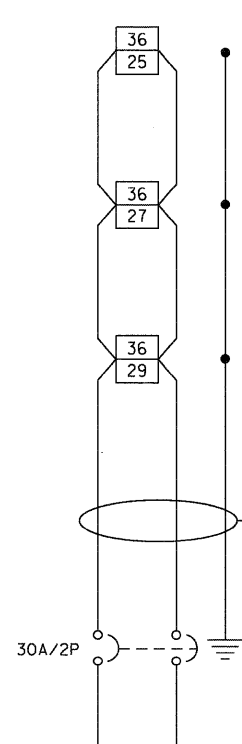
**CIRCUIT A2**



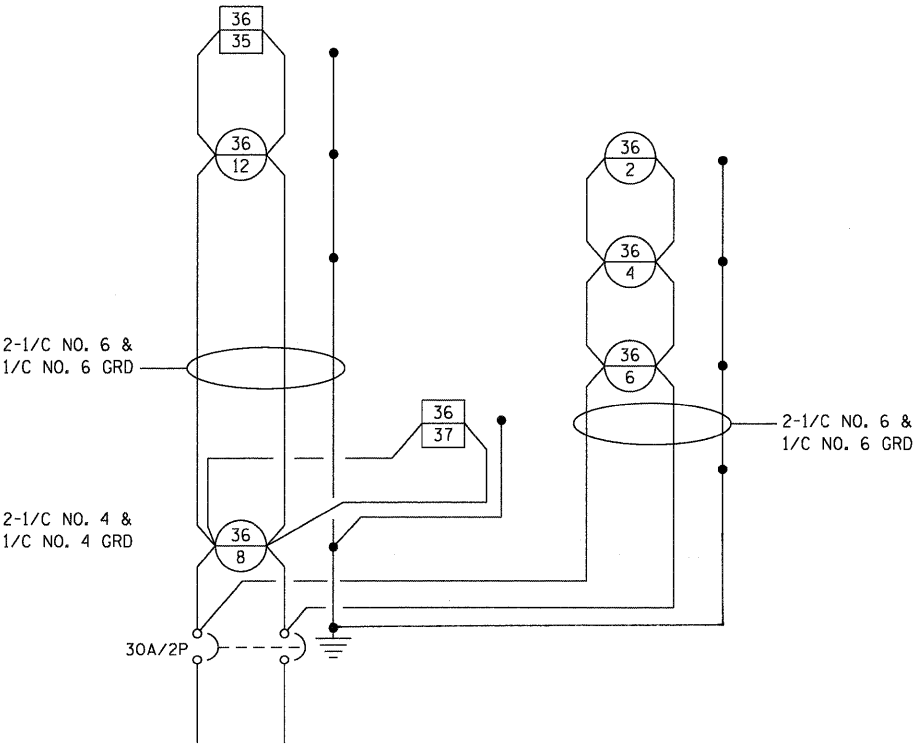
**CIRCUIT A3**



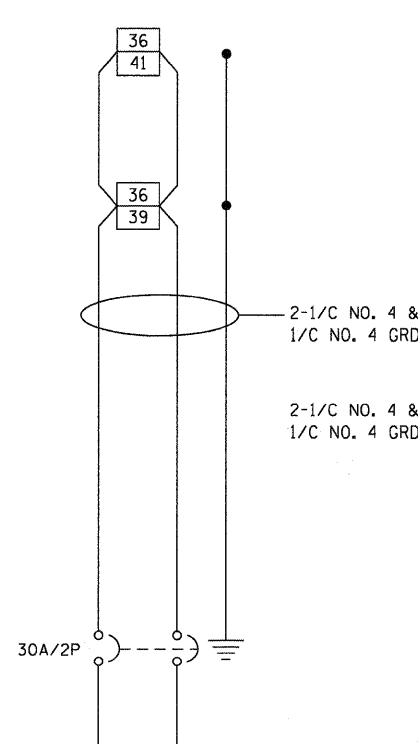
**CIRCUIT A4**



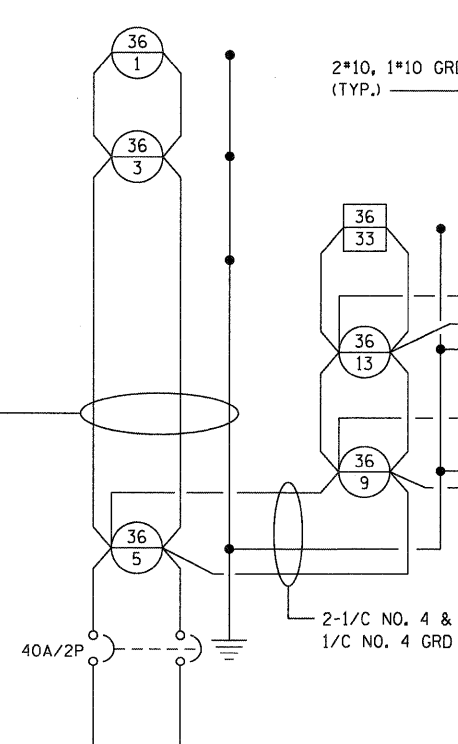
**CIRCUIT B1**



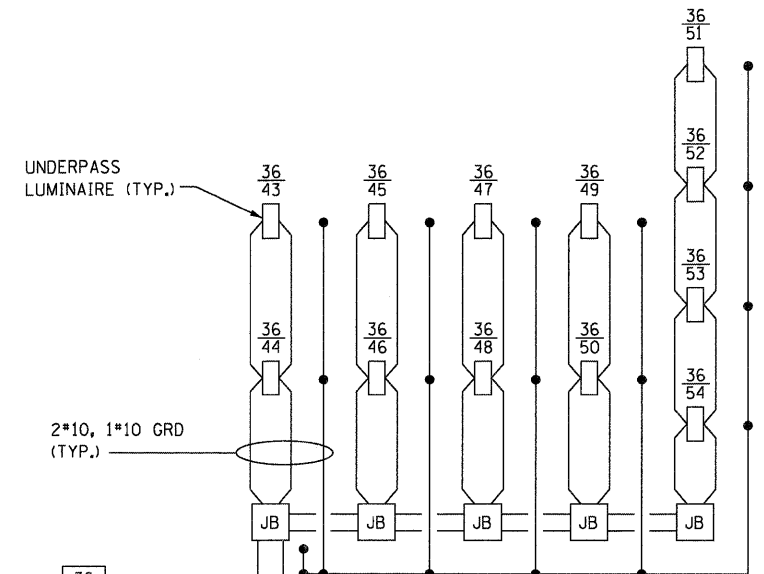
**CIRCUIT B3**



**CIRCUIT B4**



**CIRCUIT B2**



FILE NAME = gr\zd48483\LI-17.dgn	USER NAME = kkhon	DESIGNED - HS	REVISED -
		DRAWN - KK	REVISED -
		CHECKED - HS	REVISED -
		DATE - 12-17-2010	REVISED -

**STATE OF ILLINOIS  
 DEPARTMENT OF TRANSPORTATION**

**LIGHTING CONTROLLER  
 CIRCUIT DIAGRAMS**

SCALE: SHEET NO. OF SHEETS STA. TO STA.

F.A.I. RTE.	SECTION	COUNTY	TOTAL SHEETS	SHEET NO.
57	(46-2) I, HBR, VBR	KANKAKEE	558	264
FED. ROAD DIST. NO. 3 ILLINOIS FED. AID PROJECT			CONTRACT NO. 66409	