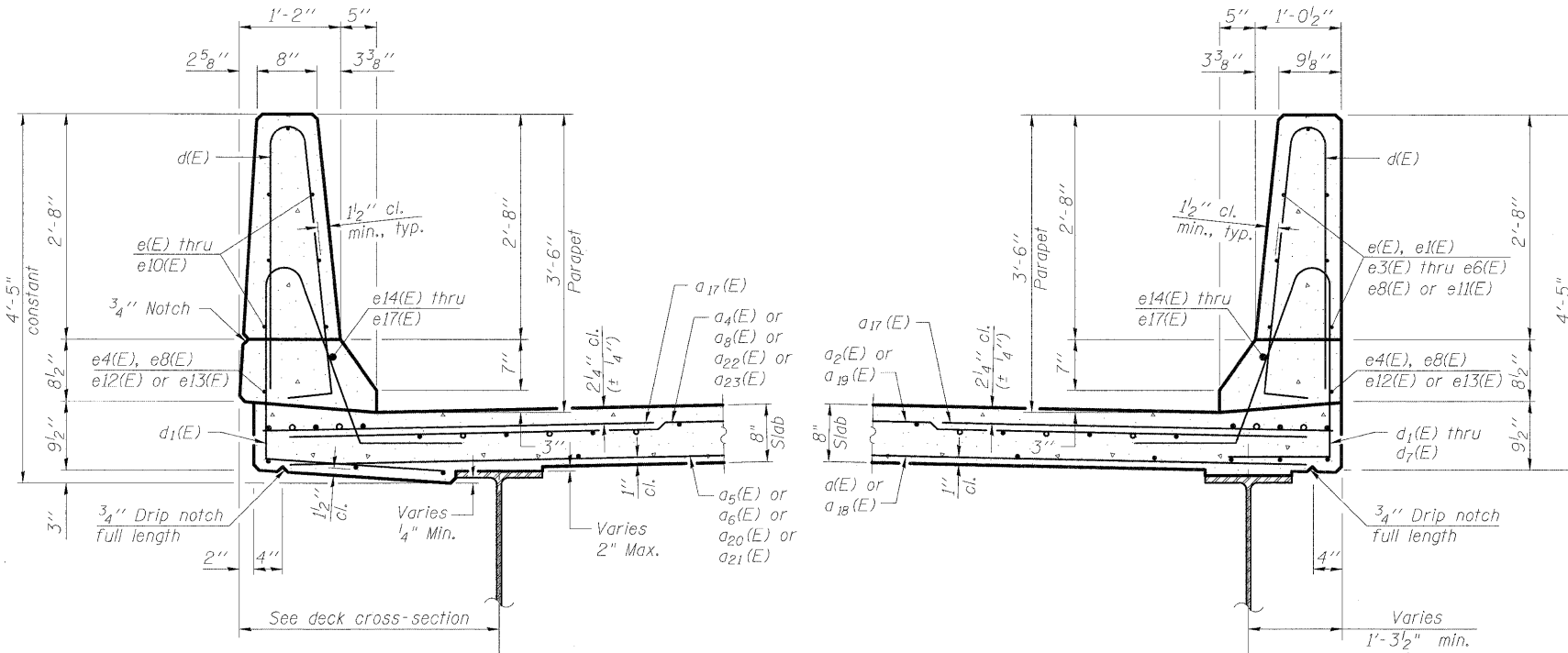
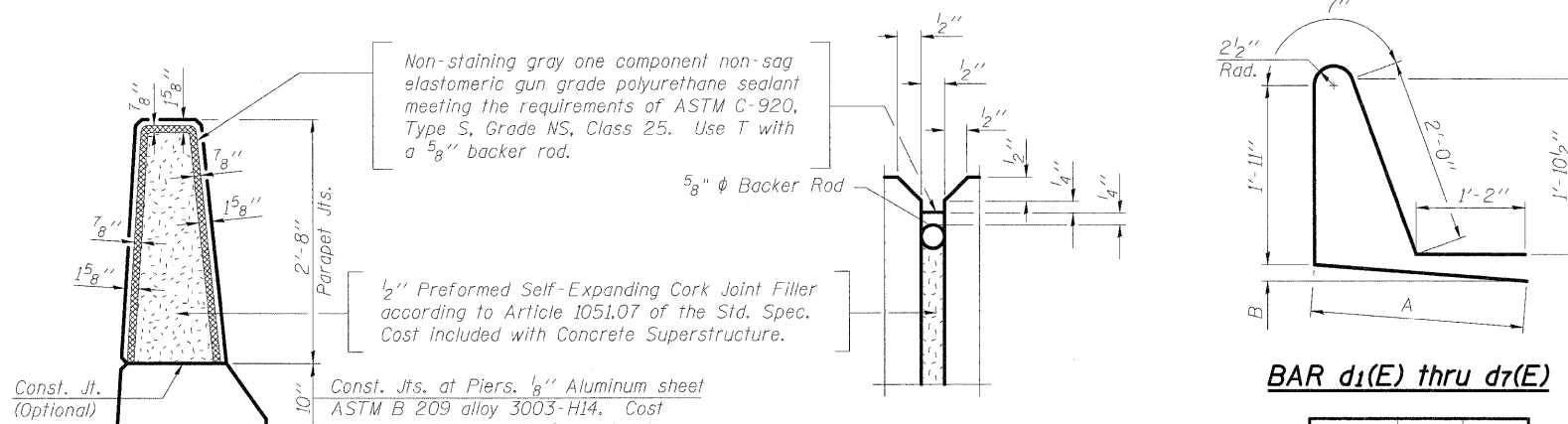


STATE OF ILLINOIS  
DEPARTMENT OF TRANSPORTATION



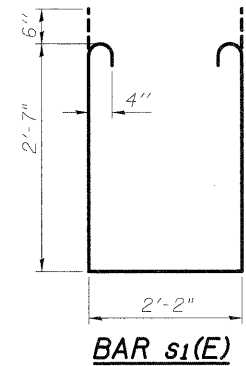
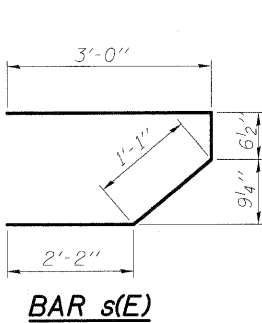
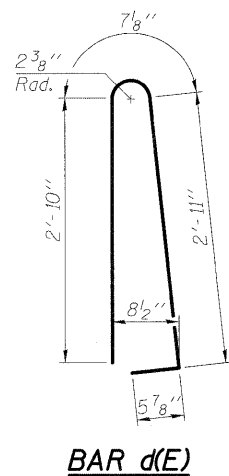
SECTION THRU OUTSIDE PARAPET

SECTION THRU MEDIAN PARAPET



PARAPET JOINT DETAILS

DESIGNED	AWW
CHECKED	PMH
DRAWN	AMV
CHECKED	AWW



BAR d1(E) thru d7(E)

Bar	A	B
d1(E)	2'-4"	2 1/2"
d2(E)	2'-1"	2 1/2"
d3(E)	1'-10"	2"
d4(E)	1'-8"	1 1/2"
d5(E)	1'-6"	1"
d6(E)	1'-4"	0
d7(E)	1'-2"	0

SUPERSTRUCTURE BILL OF MATERIAL

Bar	Stage 1		Stage 2		Stage 3		Size	Length	Shape
	S.B. No.	N.B. No.	S.B. No.	N.B. No.	S.B. No.	N.B. No.			
a(E)		298					#5	11'-9"	
a1(E)	298	298					#5	10'-9"	
a2(E)		386					#5	8'-9"	
a3(E)		386					#5	14'-5"	
a4(E)			296	488			#5	21'-10"	
a5(E)				148			#5	24'-8"	
a6(E)				164			#5	25'-3"	
a7(E)			380	380			#5	25'-8"	
a8(E)				192			#5	22'-2"	
a9(E)		9					#5	19'-7"	
a10(E)			10	10			#5	21'-3"	
a11(E)				5			#5	25'-6"	
a12(E)			5	5			#5	24'-4"	
a13(E)				11			#5	20'-0"	
a14(E)				14			#5	25'-0"	
a15(E)				5			#5	21'-10"	
a16(E)				5			#5	20'-8"	
a17(E)	196	196	196	196			#6	6'-6"	
a18(E)	298						#5	11'-6"	
a19(E)	386						#5	8'-3"	
a20(E)				148			#5	25'-1"	
a21(E)				148			#5	26'-3"	
a22(E)				192			#5	22'-1"	
a23(E)				192			#5	23'-3"	
a24(E)	4						#5	16'-10"	
a25(E)	4						#5	17'-8"	
a26(E)			5				#5	26'-6"	
a27(E)	5						#5	17'-4"	
a28(E)	5						#5	18'-0"	
a29(E)			5				#5	22'-10"	
a30(E)				16			#5	12'-2"	
a31(E)	16						#5	10'-11"	
a32(E)				16			#5	25'-8"	
b(E)		171		396			#5	27'-11"	
b1(E)	168	176	384	368			#5	30'-5"	
b2(E)		22		46			#5	7'-9"	
b3(E)	19	20	46	44			#6	40'-6"	
b4(E)	19	20	46	44			#6	36'-0"	
b5(E)	19	20	46	44			#6	32'-6"	
b6(E)	171			396			#5	28'-2"	
b7(E)	21			48			#5	10'-0"	
d(E)	252	252	252	250			#5	6'-10"	PPPP
d1(E)	60			252	252		#5	8'-0"	PPPP
d2(E)	52	22					#5	7'-9"	PPPP
d3(E)	44	30					#5	7'-6"	PPPP
d4(E)	36	38					#5	7'-4"	PPPP
d5(E)	28	46					#5	7'-2"	PPPP
d6(E)	20	54					#5	7'-0"	PPPP
d7(E)	12	62					#5	6'-10"	PPPP

SUPERSTRUCTURE BILL OF MATERIAL (cont.)

Bar	Stage 1		Stage 2		Stage 3		Size	Length	Shape
	S.B. No.	N.B. No.	S.B. No.	N.B. No.	S.B. No.	N.B. No.			
e(E)	6	6	6	6			#4	18'-10"	
e1(E)	4	4	8	8			#4	18'-4"	
e2(E)				14			#4	14'-7"	
e3(E)	14	14	14				#4	15'-0"	
e4(E)	32	32	32	32			#4	9'-2"	
e5(E)	21	21	21	21			#4	15'-11"	
e6(E)	21	21		14			#4	18'-7"	
e7(E)				14			#4	18'-11"	
e8(E)	16	15	16	16			#4	8'-2"	
e9(E)				7			#4	19'-6"	
e10(E)				7			#4	19'-2"	
e11(E)	4	4					#4	19'-4"	
e12(E)	4	4	4	4			#4	25'-11"	
e13(E)	4	4	4	4			#4	20'-5"	
e14(E)	4	4	4	4			#8	27'-6"	
e15(E)	4	4	4	4			#8	9'-2"	
e16(E)	4	4	4	4			#8	22'-0"	
e17(E)	2	2	2	2			#8	8'-2"	
m(E)		5					#6	21'-9"	
m1(E)				10			#6	25'-8"	
m2(E)	12	12	24	24			#6	10'-10"	
m3(E)		1					#6	7'-10"	
m4(E)		2	2	2			#6	3'-4"	
m5(E)	3	2	8	8			#6	7'-7"	
m6(E)	1	1					#6	1'-5"	
m7(E)			1	1			#6	5'-10"	
m8(E)				1			#6	6'-3"	
m9(E)	5						#6	18'-6"	
m10(E)				10			#6	26'-3"	
m11(E)	2						#6	1'-1"	
m12(E)	1	1	1				#6	7'-1"	
m13(E)	1	1					#6	2'-2"	
m14(E)				1	2		#6	5'-0"	
m15(E)		5					#6	21'-2"	
m16(E)			10	10			#6	25'-1"	
m17(E)	5						#6	19'-0"	
m18(E)				1			#6	4'-9"	
s(E)	43	48	109	108			#5	6'-10"	U
s1(E)	37	44	97	96			#5	8'-4"	U
v(E)	37	42	89	88			#5	3'-7"	F
Reinforcement Bars, Epoxy Coated								Pound	233,790
Concrete Superstructure								Cu. Yd.	935

Bars indicated thus 19 x 9 - #5 etc. indicates 19 line of bars with 9 lengths per line.

DECK DETAILS  
AND BILL OF MATERIAL  
STRUCTURE NO. 046-0144 (S.B.)  
& STRUCTURE NO. 046-0145 (N.B.)

**McDonough Associates Inc.**  
Engineers / Architects  
130 East Randolph Street  
Chicago, Illinois 60601  
(312) 946-8600

SHEET NO. SH-22 SHEETS SH-56	F.A.I. RTE.	SECTION	COUNTY	TOTAL SHEETS	SHEET NO.
	57	(46-2) HBR	KANKAKEE	558	293
CONTRACT NO. 66409					
FED. ROAD DIST. NO. 3 ILLINOIS FED. AID PROJECT					