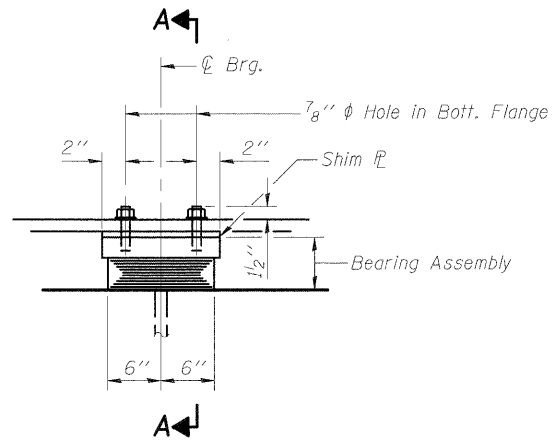
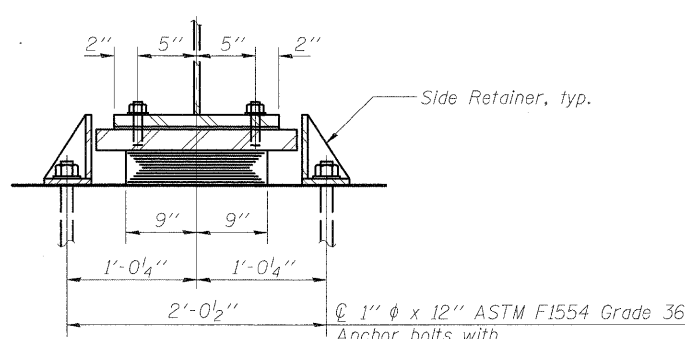


STATE OF ILLINOIS  
DEPARTMENT OF TRANSPORTATION



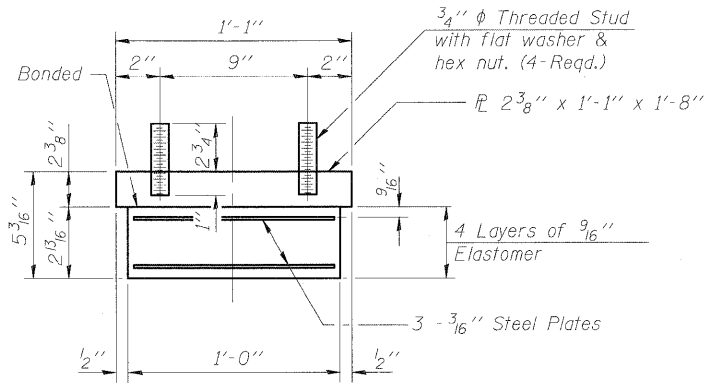
ELEVATION AT PIER 1



SECTION A-A

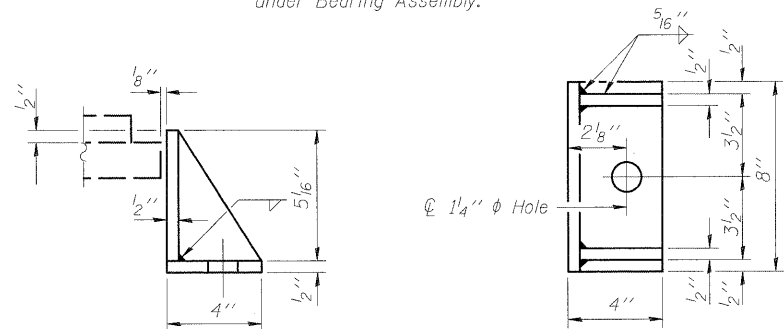
**TYPE I ELASTOMERIC EXP. BRG.**

At Pier 1  
No. required = 18



BEARING ASSEMBLY

Note:  
Shim plates shall not be placed under Bearing Assembly.



SIDE RETAINER

Equivalent rolled angle with stiffeners will be allowed in lieu of welded plates.

Notes:

Anchor bolts shall be ASTM F1554 all-thread (or an Engineer-approved alternate material) of the grade(s) and diameter(s) specified. ASTM A307 Grade C anchor bolts may be used in lieu of ASTM F1554 Grade 36 (Fy=36ksi). The corresponding specified grade of AASHTO M314 anchor bolts may be used in lieu of ASTM F1554.

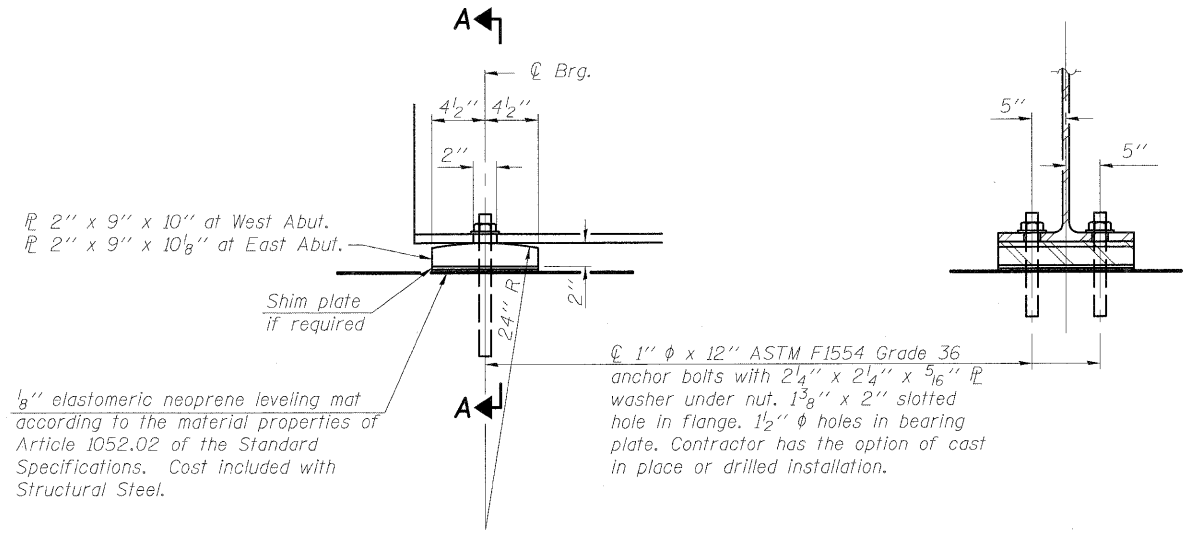
Anchor bolts at fixed bearings may be either cast in place or installed in holes drilled after the supported member is in place.

Anchor bolts for side retainers may be cast in place or installed in holes drilled before or after members are in place.

Drilled and set anchor bolts shall be installed according to Article 521.06 of the Standard Specifications.

Side retainers and other steel members required for the bearing assembly shall be included in the cost of Elastomeric Bearing Assembly, Type I.

Two 1/8" adjusting shims shall be provided for each bearing in addition to all other plates or shims and placed as shown on bearing details.



ELEVATION AT ABUTMENT

SECTION A-A

**FIXED BEARING**

At East and West Abutments  
No. required = 36

**BILL OF MATERIAL**

Item	Unit	Total
Elastomeric Bearing Assembly Type I	Each	18
Anchor Bolts 1"	Each	108

**BEARING DETAILS 1 OF 2  
STRUCTURE NO. 046-0144 (S.B.)  
& STRUCTURE NO. 046-0145 (N.B.)**

DESIGNED	PMH
CHECKED	MJL
DRAWN	PMH
CHECKED	MJL



McDonough Associates Inc.  
Engineers / Architects  
130 East Randolph Street  
Chicago, Illinois 60601  
(312) 946-8600

SHEET NO. SH-36 SHEETS SH-56	F.A.I. RTE. 57	SECTION (46-2) HBR	COUNTY KANKAKEE	TOTAL SHEETS 558	SHEET NO. 307
CONTRACT NO. 66409					
FED. ROAD DIST. NO. 3 ILLINOIS FED. AID PROJECT					