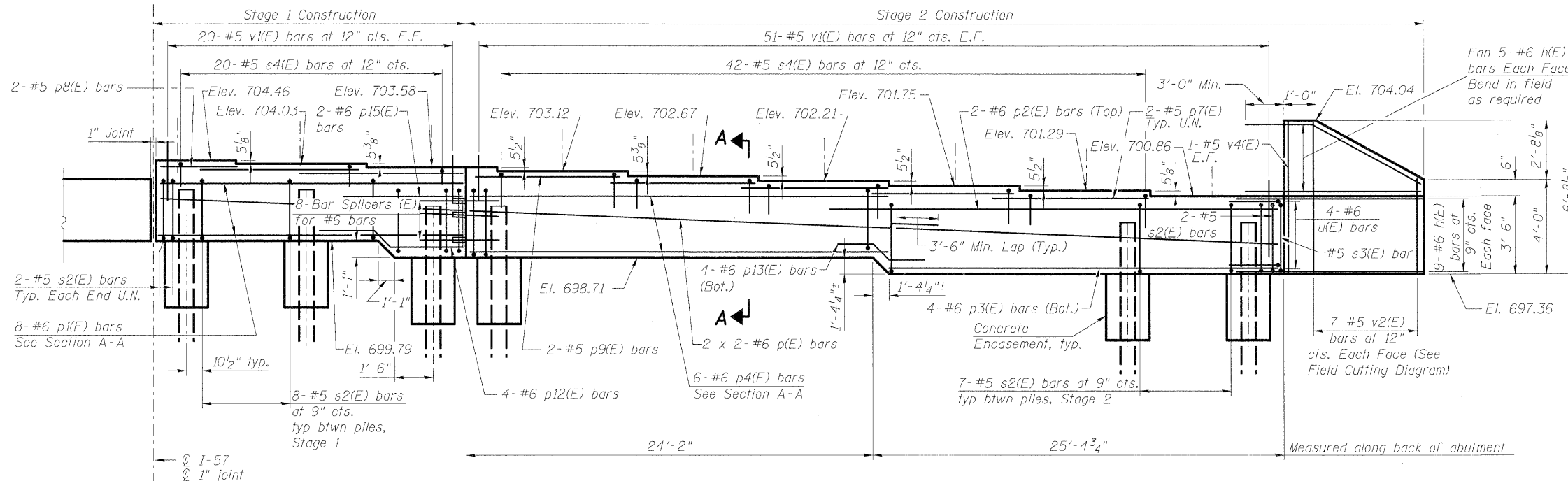
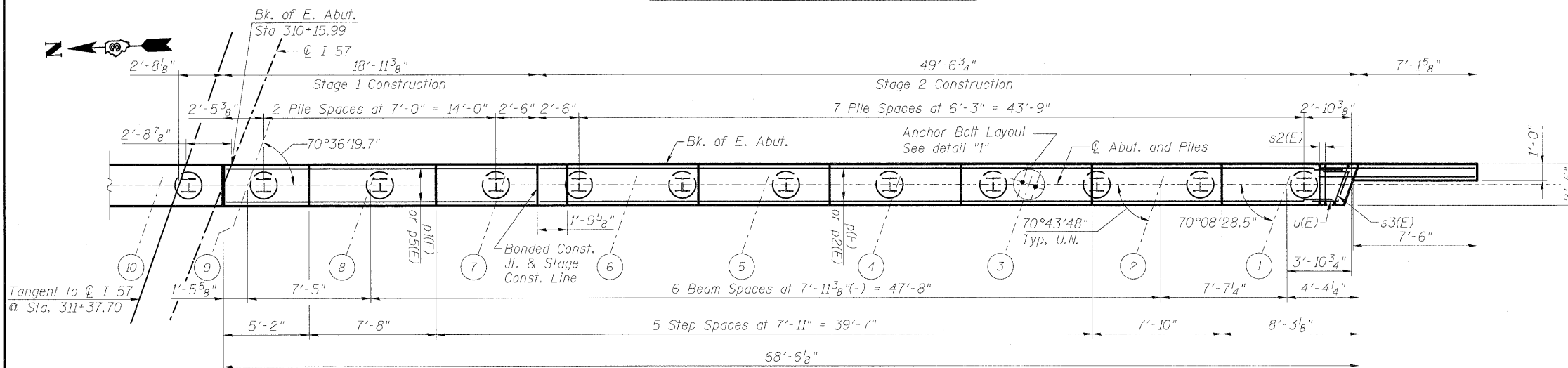


STATE OF ILLINOIS
DEPARTMENT OF TRANSPORTATION



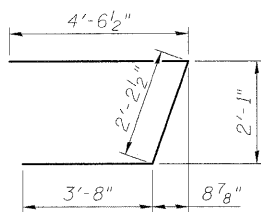
EAST ABUTMENT ELEVATION (SB)



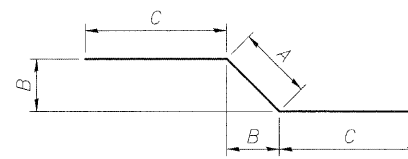
PLAN

PILE DATA (EAST ABUTMENT)

Type: HP 10 x 57 w/ Pile Shoes
Nominal Required Bearing: 453 kips
Allowable Resistance Available: 151 kips
Est. Length: 38 ft.
No. Production Piles: 22
No. Test Piles: 1

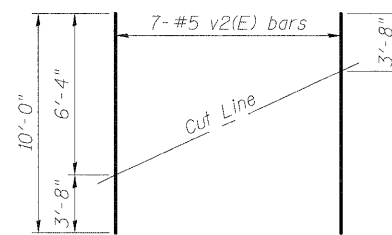


BAR u(E)



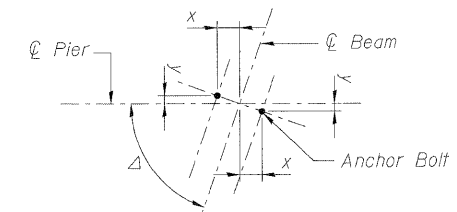
**BARS p12(E),
p13(E) & p14(E)**

Bar	A	B	C
p12(E)	1'-7"	1'-1 3/8"	3'-10"
p13(E)	2'-0"	1'-5"	3'-10"
p14(E)	1'-4"	1 3/8"	3'-10"



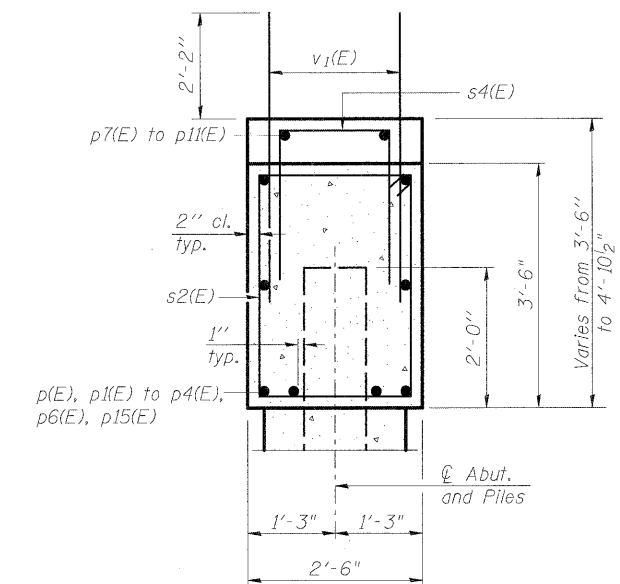
FIELD CUTTING DIAGRAM

Order v2(E) full length. Cut as shown and use remainder of bars in opposite face.



Beam No.	Δ	x	y
1	70°08'28.5"	4 3/4"	1 3/4"
2 thru 8	70°43'48"	4 3/4"	1 5/8"
9	70°36'19.7"	4 3/4"	1 5/8"

**DETAIL "1"
ANCHOR BOLT LAYOUT**



SECTION A-A

MINIMUM BAR LAP

(Abutment)
Top bars #6 bar = 3'-6"
Other bars #6 bar = 3'-1"

Notes:
Pour steps monolithically with cap.
For details of Bar Splicers, see Sht. SH-51.
For Bill of Material see Sht. SH-39.
For details of piles and Concrete Encasement, see Sht. SH-52.

Bars indicated thus 2 x 2-#6 etc. indicates 2 lines of bars with 2 lengths per line.

**EAST ABUTMENT & DETAILS (SB)
STRUCTURE NO. 046-0144 (S.B.)
& STRUCTURE NO. 046-0145 (N.B.)**

DESIGNED	PMH
CHECKED	MJL
DRAWN	PMH
CHECKED	MJL

McDonough Associates Inc.
Engineers / Architects
130 East Randolph Street
Chicago, Illinois 60601
(312) 946-8600

SHEET NO.	F.A.I. RTE.	SECTION	COUNTY	TOTAL SHEETS	SHEET NO.
SH-38	57	(46-2) HBR	KANKAKEE	558	309
SHEETS	CONTRACT NO. 66409				
SH-56	FED. ROAD DIST. NO. 3 ILLINOIS FED. AID PROJECT				