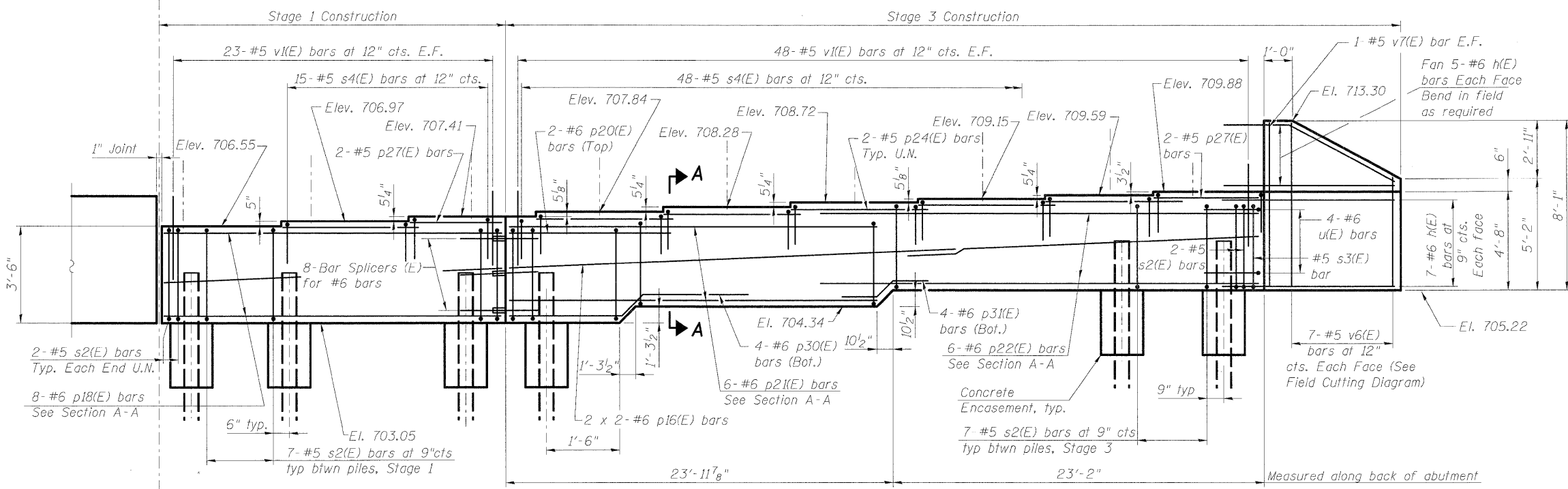
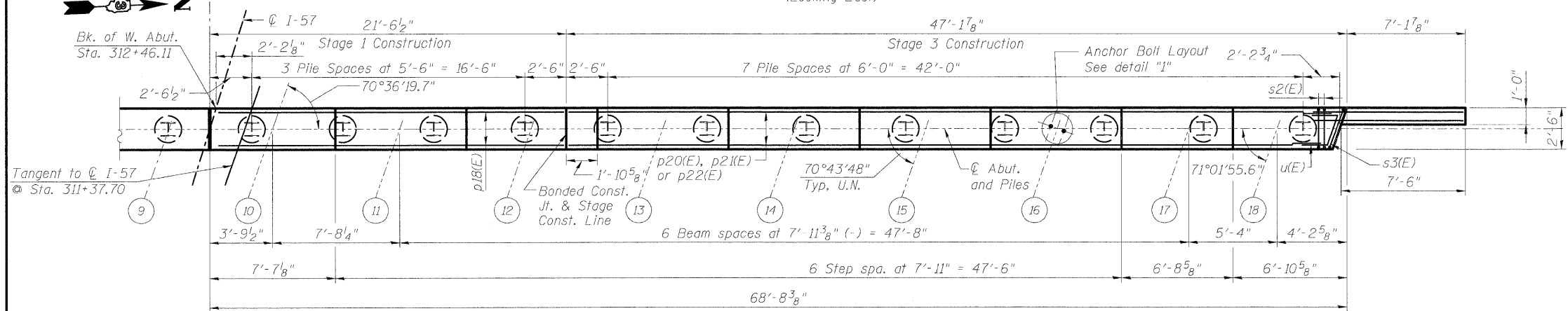


STATE OF ILLINOIS  
DEPARTMENT OF TRANSPORTATION



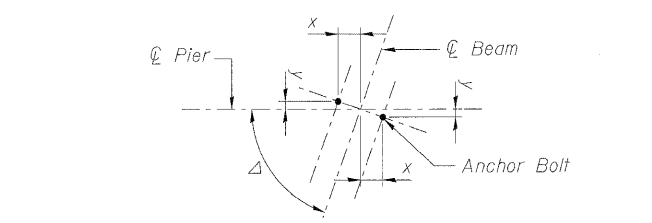
**WEST ABUTMENT ELEVATION (NB)**  
(Looking East)



**PLAN**

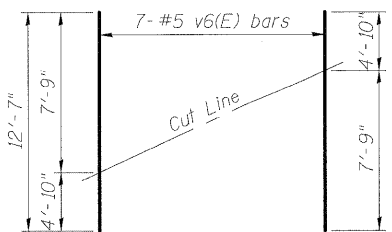
**BILL OF MATERIAL**

Bar	Stage 1	Stage 2	Stage 3	Size	Length	Shape
h(E)		20	24	#6	12'-4"	
p16(E)		6	4	#6	25'-5"	
p17(E)	8			#6	19'-2"	
p18(E)	8			#6	21'-2"	
p19(E)		6		#6	25'-4"	
p20(E)	2		2	#6	7'-7"	
p21(E)			6	#6	23'-8"	
p22(E)			6	#6	27'-5"	
p23(E)		4		#6	22'-0"	
p24(E)	6	8	10	#5	10'-11"	
p25(E)		2		#5	9'-7"	
p26(E)	2			#5	5'-3"	
p27(E)	2		2	#5	5'-7"	
p28(E)	4			#6	9'-2"	
p29(E)		4		#6	10'-0"	
p30(E)			4	#6	9'-6"	
p31(E)			4	#6	7'-9"	
s2(E)	47	53	53	#5	11'-7"	
s3(E)		1	1	#5	11'-10"	
s4(E)		36	48	#5	8'-8"	
u(E)		4	4	#6	10'-5"	
v1(E)	88	96	96	#5	4'-4"	
v2(E)		7		#5	10'-0"	
v4(E)		2		#5	6'-4"	
v6(E)			7	#5	12'-7"	
v7(E)			2	#5	7'-9"	
Structure Excavation				Cu. Yd.	346	
Reinforcement Bars, Epoxy Coated				Pound	7,630	
Concrete Structures				Cu. Yd.	54	
Concrete Encasement				Cu. Yd.	8	
Furnishing Steel Piles, HP 10x57				Foot	1,078	
Driving Piles				Foot	1,078	
Test Pile Steel HP 10 x 57				Each	1	
Pile Shoes				Each	23	



Beam No.	Δ	x	y
10	70°36'19.7"	4 3/4"	1 5/8"
11 thru 17	70°43'48"	4 3/4"	1 5/8"
18	71°01'55.6"	4 3/4"	1 5/8"

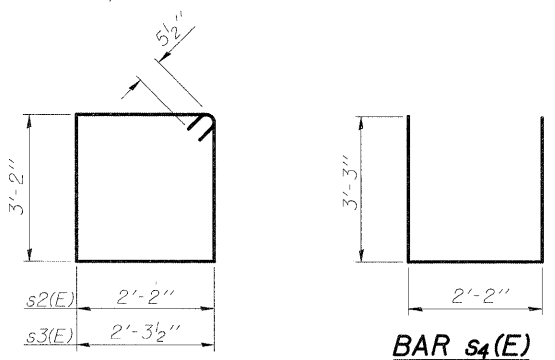
**DETAIL "1"**  
**ANCHOR BOLT LAYOUT**



**FIELD CUTTING DIAGRAM**

Order v6(E) full length. Cut as shown and use remainder of bars in opposite face.

Notes:  
Pour steps monolithically with cap.  
For details of Bar Splicers, see Sht. SH-51.  
For details of piles and Concrete Encasement, see Sht. SH-52.  
Bars indicated thus 2 x 2-#6 etc. indicates 2 lines of bars with 2 lengths per line.  
For Section A-A see Sht. SH-40.



**BARS s2(E) & s3(E)**  
**BAR s4(E)**

DESIGNED	PMH
CHECKED	MJL
DRAWN	PMH
CHECKED	MJL

**McDonough Associates Inc.**  
Engineers / Architects  
130 East Randolph Street  
Chicago, Illinois 60601  
(312) 946-8600

SHEET NO. SH-41 SHEETS SH-56	F.A.I. RTE.	SECTION	COUNTY	TOTAL SHEETS	SHEET NO.
	57	(46-2) HBR	KANKAKEE	558	312
	CONTRACT NO. 66409				
FED. ROAD DIST. NO. 3 ILLINOIS FED. AID PROJECT					