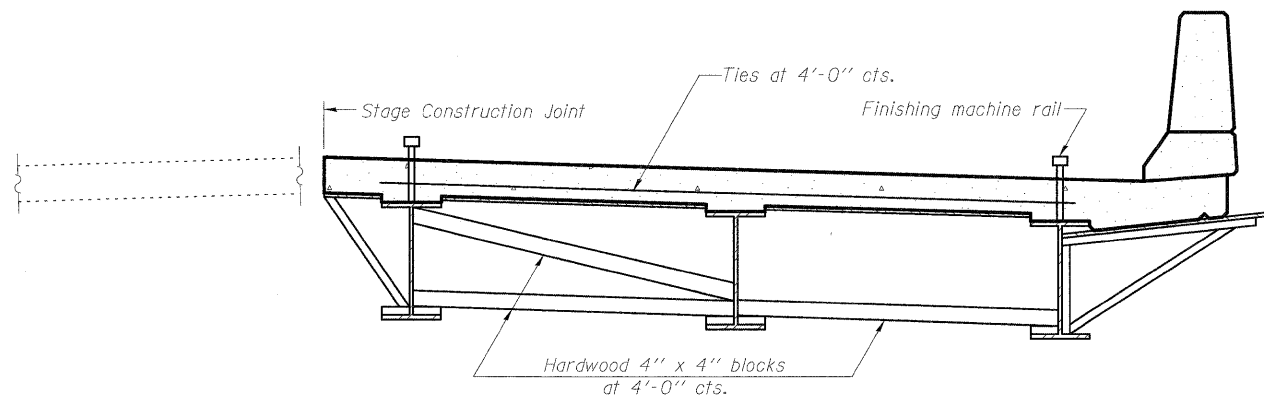


STATE OF ILLINOIS  
DEPARTMENT OF TRANSPORTATION



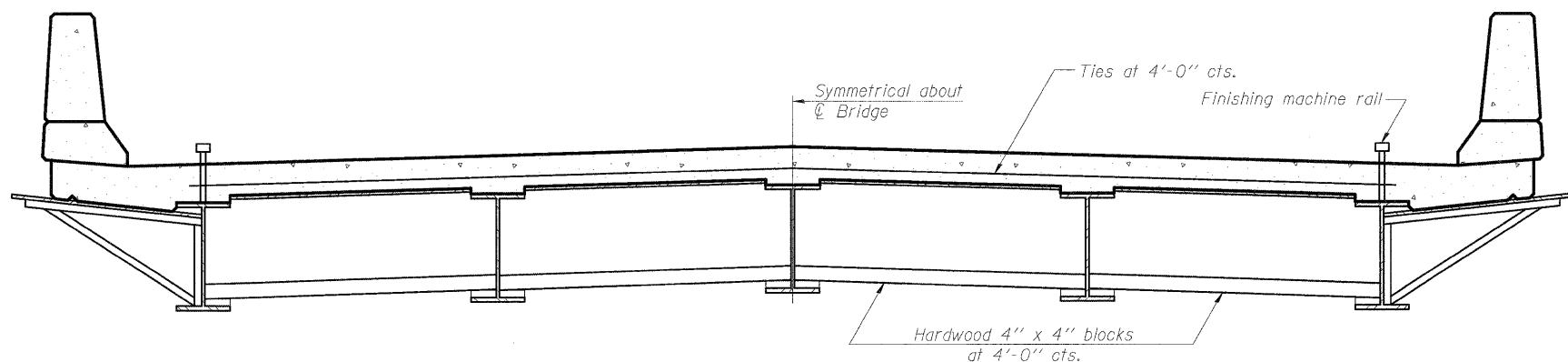
**FORM BRACES FOR  
STAGE CONSTRUCTION**

When cantilever forming brackets are used, the work shall be done according to Article 503.06(b) of the Standard Specifications, except as modified below and in the details shown on this sheet.

The finishing machine rails shall be placed on the top flange of the exterior beams.

The beams or girders, supporting cantilever forming brackets, shall be tied together at 4 foot intervals.

For Standard construction, or Stage Construction the Hardwood bracing materials shall be placed as shown between webs of beams in each bay.



**FORM BRACES FOR  
STANDARD CONSTRUCTION**

**CANTILEVER FORMING BRACKETS  
STRUCTURE NO. 046-0144 (S.B.)  
& STRUCTURE NO. 046-0145 (N.B.)**

DESIGNED
CHECKED
DRAWN
CHECKED

SB-1

11-1-09



**McDonough Associates Inc.**  
Engineers / Architects  
130 East Randolph Street  
Chicago, Illinois 60601  
(312) 946-8600

SHEET NO.	F.A.I. RTE.	SECTION	COUNTY	TOTAL SHEETS	SHEET NO.
SH-53	57	(46-2) HBR	KANKAKEE	558	324
CONTRACT NO. 66409					
FED. ROAD DIST. NO. 3 ILLINOIS FED. AID PROJECT					