

GENERAL NOTES

- Fasteners shall be AASHTO M164 Type 1, mechanically galvanized bolts. Bolts $\frac{7}{8}$ in. dia., holes $\frac{15}{16}$ in. dia., unless otherwise noted.
- Calculated weight of Structural Steel:
AASHTO M270 Gr50 = 454,830 lbs
AASHTO M270 Gr36 = 78,080 lbs
- No field welding is permitted except as specified in the contract documents.
- Reinforcement bars shall conform to the requirements of ASTM A 706 Gr 60. See Special Provisions.
- Reinforcement bars designated (E) shall be epoxy coated.
- If the Contractor elects to use cantilever forming brackets on the exterior beams or girders, the brackets shall be placed at the same locations as required for the hardwood blocks in Article 503.06(b) of the Standard Specifications. If additional cantilever forming brackets are required, hardwood blocking shall be wedged between the exterior and first interior beam at each of these additional bracket locations.
- Bearing seat surfaces shall be constructed or adjusted to the designated elevations within a tolerance of $\frac{1}{8}$ in. (0.01 ft.). Adjustment shall be made either by grinding the surface or by shimming the bearings.
- The existing structural steel coating contains lead. The Contractor shall take appropriate precautions to deal with the presence of lead on this project.
- The Organic Zinc Rich Primer / Epoxy / Urethane Paint System shall be used for painting of new structural steel except where otherwise noted. The entire system shall be shop applied, with the exception of the exterior surfaces and the bottom of the bottom flange of fascia beams, masked off connection surfaces, field installed fasteners and damaged areas shall be touched up and finish coated in the field. The color of the final finish coat for all interior steel surfaces shall be Gray, Munsell No. 5B 7/1. The color of the final finish coat for the exterior and the bottom of the bottom flange of fascia beams shall be Blue, Munsell No. 10B 3/6. See Special Provision for "Cleaning and Painting New Metal Structures."
- The embankment configuration shown shall be the minimum that must be placed and compacted prior to construction of the abutments.
- Slope wall shall be reinforced with welded wire fabric, 6 in. x 6 in. - W4.0 x W4.0, weighing 58 lbs. per 100 sq. ft.
- The structural steel plates of the Bearing Assembly shall conform to the requirements of AASHTO M 270 Grade 50.
- If the Contractor chooses to alter the temporary cantilevered sheet piling design requirements shown on the plans, a design submittal including plan details and calculations will be required for review and acceptance by the Engineer.
- The Contractor shall connect the first sheet to the existing abutment wall to ensure stability of sheets driven to the top of the existing footing. This connection shall be reviewed and accepted by the Engineer and included in the cost for Temporary Sheet Piling.
- Slipforming of the parapets is not allowed.

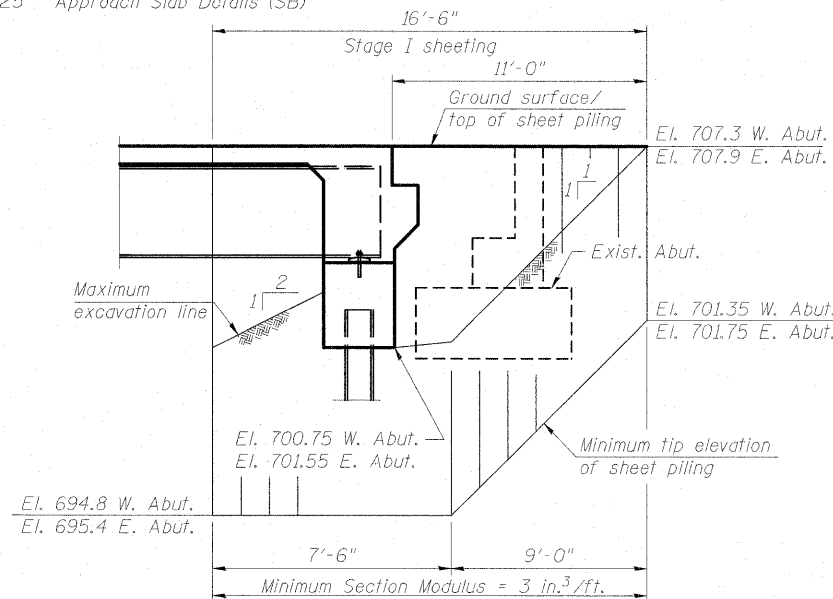
STATE OF ILLINOIS
DEPARTMENT OF TRANSPORTATION

INDEX OF SHEETS

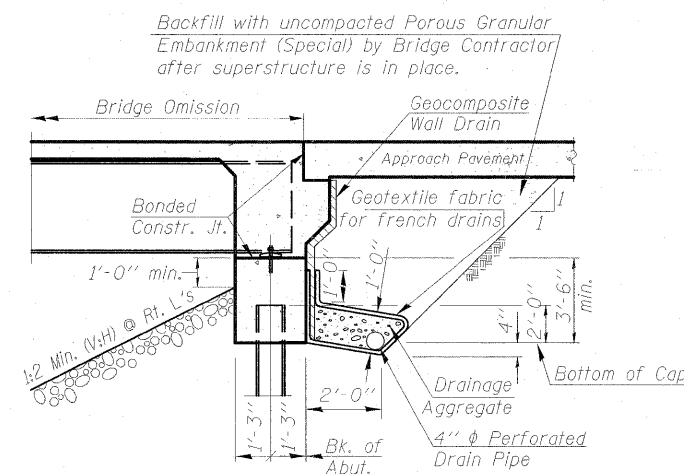
SR-1 General Plan and Elevation	SR-26 Approach Slab Plan (NB)
SR-2 General Notes & Total Bill of Material	SR-27 Approach Slab Details (NB)
SR-3 Construction Staging	SR-28 SB Framing Plan
SR-4 Footing Layout	SR-29 NB Framing Plan
SR-5 Top of Slab Elevations 1 of 5	SR-30 Steel Details
SR-6 Top of Slab Elevations 2 of 5	SR-31 Bearing Details
SR-7 Top of Slab Elevations 3 of 5	SR-32 East Abutment and Details (SB)
SR-8 Top of Slab Elevations 4 of 5	SR-33 East Abutment and Details (NB)
SR-9 Top of Slab Elevations 5 of 5	SR-34 West Abutment and Details (SB)
SR-10 Top of East Approach Slab Elevations (SB)	SR-35 West Abutment and Details (NB)
SR-11 Top of East Approach Slab Elevations (NB)	SR-36 East and West Abutment Removal
SR-12 Top of West Approach Slab Elevations (SB)	SR-37 Pier 1 (SB)
SR-13 Top of West Approach Slab Elevations (NB)	SR-38 Pier 1 (NB)
SR-14 Deck Plan and Section (SB)	SR-39 Pier 2 (SB)
SR-15 Deck Plan and Section (NB)	SR-40 Pier 2 (NB)
SR-16 Parapet Details	SR-41 Piers 1 and 2 Removal
SR-17 Deck Details and Bill of Material	SR-42 Temporary Concrete Barrier for Stage Construction
SR-18 Drainage System Details	SR-43 Bar Splicer Assembly and Mechanical Splicer Details
SR-19 Drainage Scupper, DS-II	SR-44 HP Pile Details
SR-20 Diaphragm at East Abutment (SB)	SR-45 Soil Boring Logs
SR-21 Diaphragm at East Abutment (NB)	SR-46 Soil Boring Logs
SR-22 Diaphragm at West Abutment (SB)	SR-47 Soil Boring and Rock Core Logs
SR-23 Diaphragm at West Abutment (NB)	SR-48 Soil Boring and Rock Core Logs
SR-24 Approach Slab Plan (SB)	
SR-25 Approach Slab Details (SB)	

TOTAL BILL OF MATERIAL

ITEM	UNIT	SUPER	SUB	TOTAL
Removal of Existing Structures No. 1	Each			1
Removal of Existing Structures No. 2	Each			1
Protective Shield	Sq Yd	1,751		1,751
Structure Excavation	Cu Yd		539	539
Concrete Structures	Cu Yd		1,184.0	1,184.0
Concrete Superstructure	Cu Yd	1,398.0		1,398.0
Bridge Deck Grooving	Sq Yd	3,958		3,958
Concrete Encasement	Cu Yd		19.0	19.0
Protective Coat	Sq Yd	4,415		4,415
Furnishing and Erecting Structural Steel	L Sum	0.47		0.47
Stud Shear Connectors	Each	16,698		16,698
Reinforcement Bars, Epoxy Coated	Pound	323,326	168,912	492,238
Bar Splicers	Each	1,711	448	2,159
Slope Wall 4 Inch	Sq Yd		148	148
Furnishing Steel Piles HP10x57	Ft		2,002	2,002
Driving Piles	Ft		2,002	2,002
Test Pile Steel HP10x57	Each		2	2
Pile Shoes	Each		52	52
Name Plates	Each	2		2
Elastomeric Bearing Assembly, Type I	Each		44	44
Anchor Bolts, 1"	Each		176	176
Geocomposite Wall Drain	Sq Yd		240	240
Bituminous Coated Aggregate Slopewall 6"	Sq Yd		2,109	2,109
Braced Excavation	Cu Yd		1,224	1,224
Porous Granular Embankment, Special	Cu Yd		394	394
Drainage Scuppers, DS-II	Each	4		4
Drainage System	L Sum	1		1
Temporary Sheet Piling	Sq Ft		710	710
Pipe Underdrains for Structures 4"	Ft		353	353



TEMPORARY SHEET PILING FRONT ELEVATION



SECTION THRU INTEGRAL ABUTMENT

(Horiz. dim. @ Rt. L's)

STATION 325+93.10
BUILT 20__ BY
STATE OF ILLINOIS
F.A.I. RT. 57 SEC (46-2) VBR
LOADING HS20
STRUCTURE NO. 046-0146

NAME PLATE

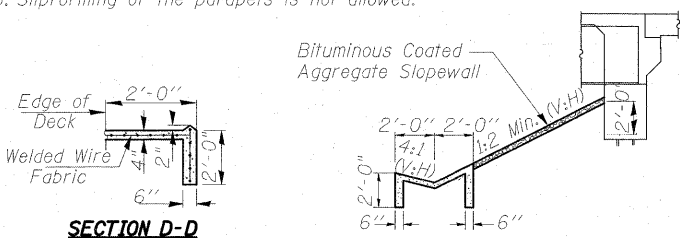
(Southbound)
See Std. 515001

STATION 325+93.10
BUILT 20__ BY
STATE OF ILLINOIS
F.A.I. RT. 57 SEC (46-2) VBR
LOADING HS20
STRUCTURE NO. 046-0147

NAME PLATE

(Northbound)
See Std. 515001

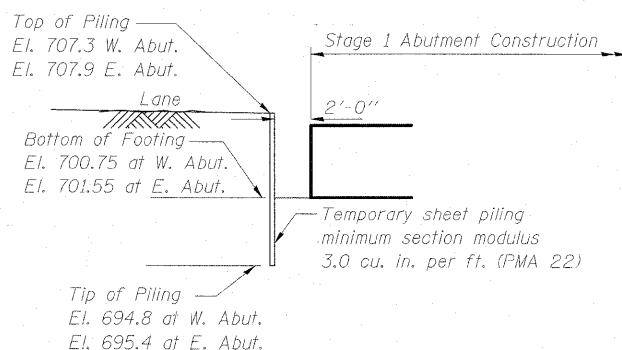
**GENERAL NOTES
& TOTAL BILL OF MATERIAL
STRUCTURE NO. 046-0146 (S.B.)
& STRUCTURE NO. 046-0147 (N.B.)**



SECTION D-D

Slopewall shall be reinforced with welded wire fabric, 6 in. x 6 in. - W4.0 x W4.0, weighing 58 lbs. per 100 sq. ft.

TYPICAL SECTION THRU SLOPE WALL



TEMPORARY SHEET PILING SIDE ELEVATION

(Southbound piling shown, Northbound piling similar)

DESIGNED	PMH
CHECKED	BB
DRAWN	PMH
CHECKED	BB

McDonough Associates Inc.
Engineers / Architects
130 East Randolph Street
Chicago, Illinois 60601
(312) 946-8600

SHEET NO.	F.A.I. RTE.	SECTION	COUNTY	TOTAL SHEETS	SHEET NO.
SR-2	57	(46-2) VBR	KANKAKEE	558	329
SHEETS			CONTRACT NO. 66409		
SR-48		FED. ROAD DIST. NO. 3 ILLINOIS	FED. AID PROJECT		