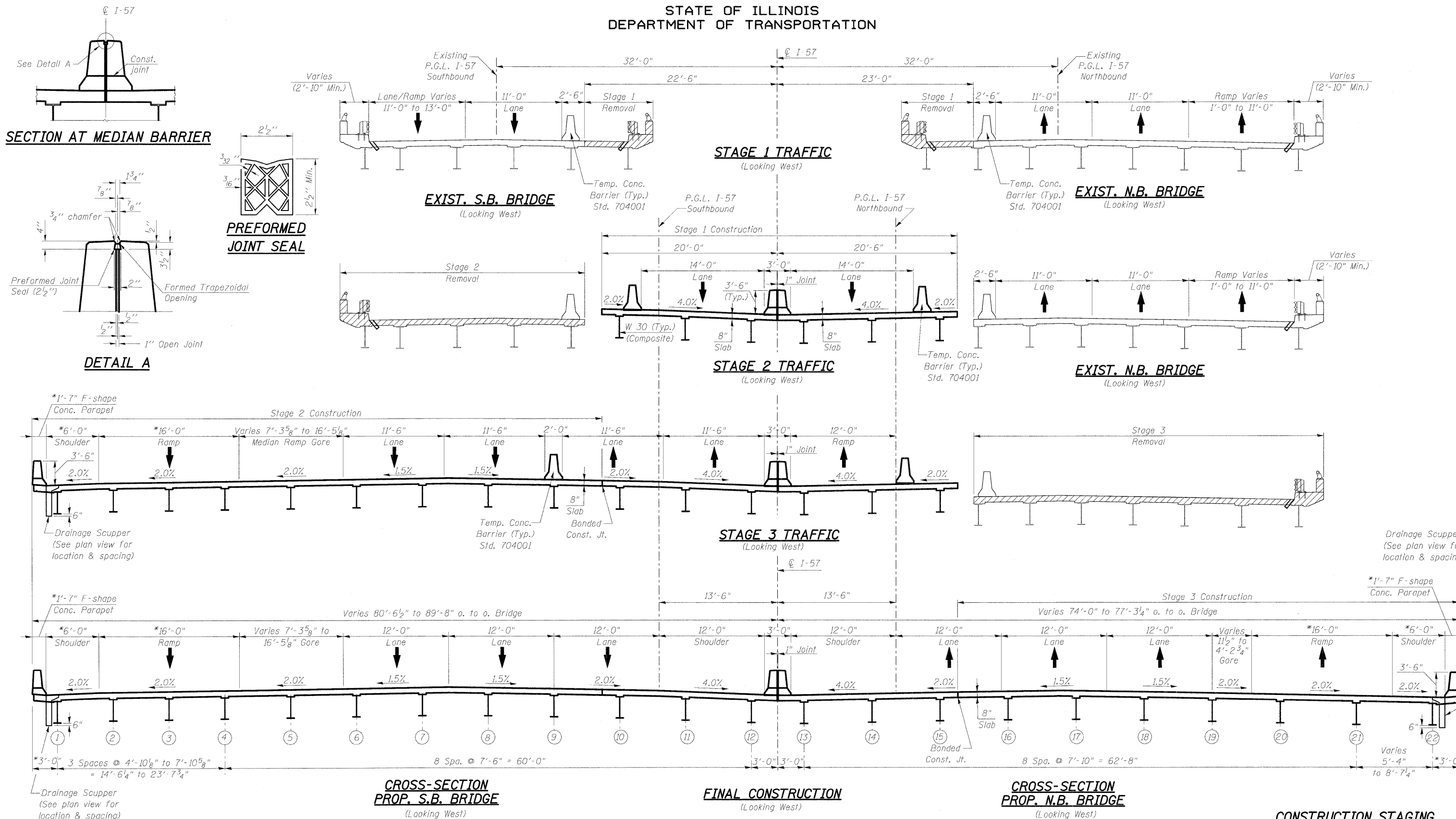
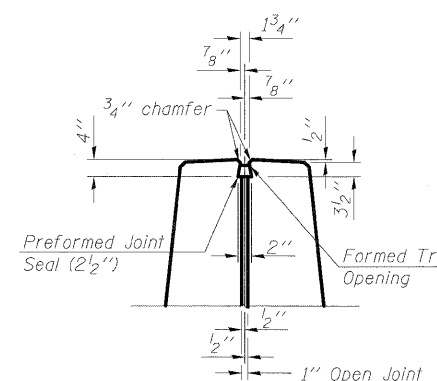


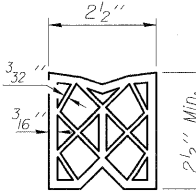
STATE OF ILLINOIS
DEPARTMENT OF TRANSPORTATION



SECTION AT MEDIAN BARRIER



PREFORMED JOINT SEAL



CROSS-SECTION PROP. S.B. BRIDGE (Looking West)

FINAL CONSTRUCTION (Looking West)

CROSS-SECTION PROP. N.B. BRIDGE (Looking West)

CONSTRUCTION STAGING
STRUCTURE NO. 046-0146 (S.B.)
& STRUCTURE NO. 046-0147 (N.B.)

DESIGNED	PMH
CHECKED	BB
DRAWN	AMV
CHECKED	BB

McDonough Associates Inc.
Engineers / Architects
130 East Randolph Street
Chicago, Illinois 60601
(312) 946-8600

SHEET NO. SR-3 SHEETS SR-48	F.A.I. RTE.	SECTION	COUNTY	TOTAL SHEETS	SHEET NO.
	57	(46-2) VBR	KANKAKEE	558	330
CONTRACT NO. 66409					
FED. ROAD DIST. NO. 3 ILLINOIS FED. AID PROJECT					

* Measured perpendicular to edge of deck